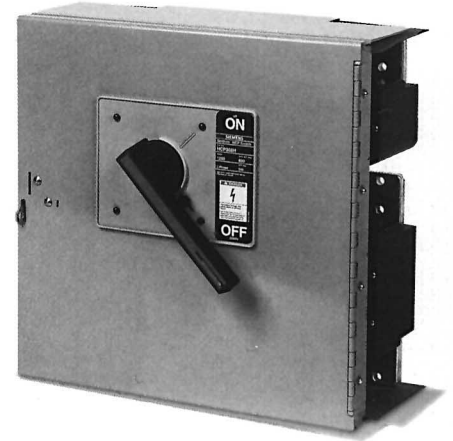


SIEMENS

Type HCP Fusible Switchboard Unit

Features

- UL Listed under file number E 6849 Vol. 1, Section 8
- Visible Contacts
- 400A -1200A ratings
- Field installable shunt trip and auxiliary switch accessory kits
- Suitable for use on systems with up to 200,000A available fault current, RMS symmetrical when equipped with Class J or Class L fuses
- Allows 800A and 1200A switches in standard 38" wide distribution sections in either main or branch configurations
- 16¼" mounting height is the smallest 1200A design in the industry, allowing up to 4 units in one vertical section
- Field reversible, horizontal mounting design for left or right hand cabling



3-Pole, Horizontal Mount

Catalog Number	Maximum Ampere Rating	Maximum Voltage Rating	Fuse Class	Dimensions (inches)			Horsepower Ratings						
							240V		480V		600V		250V DC
				H	W	D	Std.	Max	Std.	Max	Std.	Max	
HCP367HJ400	400	600	J	16.25	17.22	7.38	50	125	100	250	125	350	40
HCP367HJ600	600	600	J	16.25	17.22	7.38	75	200	150	400	200	400	40
HCP327HT	800	240	T	16.25	17.22	7.38	100	250	—	—	—	—	50
HCP367H	800	600	L	16.25	17.22	7.38	100	250	200	500	250	500	50
HCP328HT	1200	240	T	16.25	17.22	7.38	100	250	—	—	—	—	50
HCP368H	1200	600	L	16.25	17.22	7.38	100	250	200	200	250	500	50

3-Pole, Vertical Mount

HCP367VJ400	400	600	J	17.00	16.25	7.38	50	125	100	250	125	350	40
HCP367VJ600	600	600	J	17.00	16.25	7.38	75	200	150	400	200	400	40
HCP327VT	800	240	T	17.00	16.25	7.38	100	250	—	—	—	—	50
HCP367V	800	600	L	17.00	16.25	7.38	100	250	200	500	250	500	50
HCP328VT	1200	240	T	17.00	16.25	7.38	100	250	—	—	—	—	50
HCP368V	1200	600	L	17.00	16.25	7.38	100	250	200	500	250	500	50

Terminal Connectors

Ampere Rating	Catalog Number	Connector Wire Range	Lugs Per Kit
400—600A	TA2K500	(2) #1 AWG-500 kcmil (Cu or Al)	1
400—600A	TC2K500	(2) #1 AWG-500 kcmil (Cu only)	1
400—800A	TA3K500	(3) #1 AWG-500 kcmil (Cu or Al)	1
400—800A	TC3K350	(3) #1 AWG-350 kcmil (Cu only)	1
800—1200A	TA4H500	(4) #1 AWG-500 kcmil (Cu or Al)	1
800—1200A	TA3H750	(3) 250-750 kcmil (Cu or Al)	1

Shunt Trip Kit

Control Voltage		Catalog Number
AC	DC	
120	—	HCPST120
240	—	HCPST240
277	—	HCPST277
480	—	HCPST480
—	48	HCPST48
—	125	HCPST125

T-Fuse Adapter Kits

Catalog Number	Description
TFAK72	800A, 300V AC
TFAK75	800A, 600V AC
TFAK82	1200A, 300V AC

Accessories

Auxiliary Switch Kits

Contact Ampere Rating	Maximum Voltage		Switch Mounting	Contacts	Catalog Number
	AC	DC			
15A	480	125	Left Pole	1 NO / 1NC	A01HCPL4
15A	480	125	Right Pole	1 NO / 1NC	A01HCPR4
10A	240	125	Left Pole	2 NO / 2NC	A02HCPL2

Switchboard Connection Strap Kit ①

400—1200A	F6162D
-----------	--------

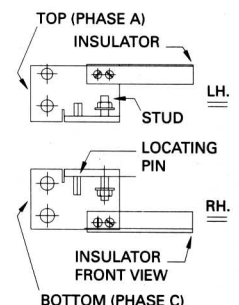
① For Horizontal Mounting Only

Compression Lug Adapter Kit

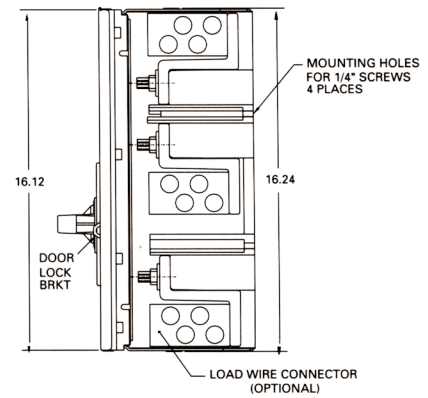
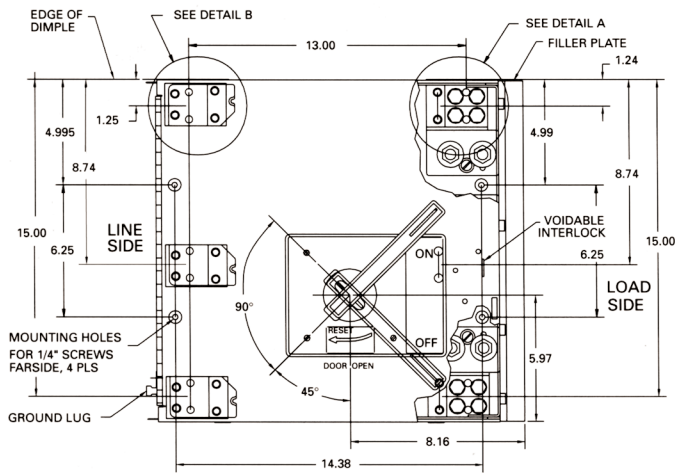
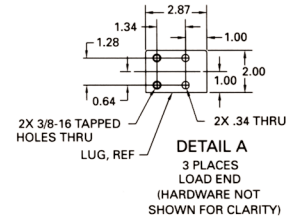
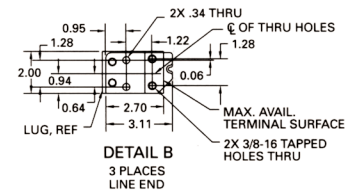
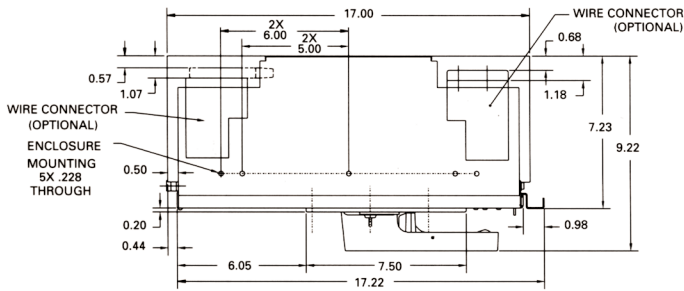
The use of this kit provides for the mounting of up to four lugs per phase. Each kit accepts lugs with (2) 3/8" diameter mounting holes on 1" centers. One kit per pole (line or load) is required.

Lugs are not provided.

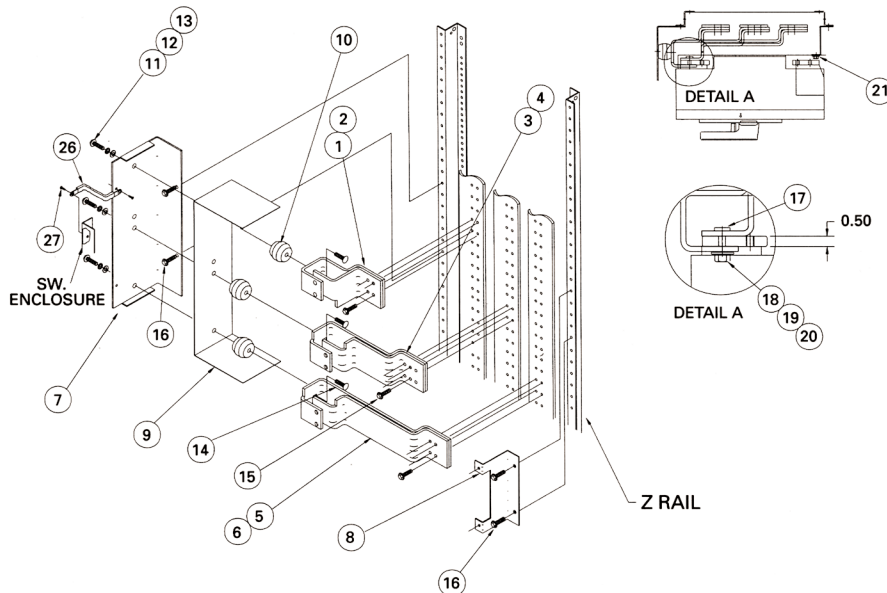
Ampere Rating	400-1200A
Catalog Number	HCPCLP



Horizontal Mount Drawing



Group Mounting Assembly (Horizontal Mount Only)



Note: Right exit shown, rotate 180° for left exit
 Note: Items 26 & 27 are used to ground the switch enclosure (Route bonding wire along flange)

Item	Parts Supplied in Connection Strap Kit Cat. No. F6162D	Qty.
1-2	A/C Ø Strap (Short)	1ea.
3-4	B Ø Strap	1ea.
5-6	A/C Ø Strap (Long)	1ea.
7-8	Switch Mounting Bracket	1ea.
9	Insulation	1
10	1-3/8" Insulator	3
11	3/8-16 X 3/4" HHMS	3
12	3/8" Lock Washer	3
13	3/8" Flat Washer	3
14	3/8-16 X 3/4" RHSNB	3
15	Strap Bus Hardware Kit	2
16	1/4-28 X 3/8" SHWHSW	4
17	5/16-18 Insert	6
18	5/16-18 X 1" SRHMS	6
19	5/16 Flat Washer	6
20	5/16 Lock Washer	6
21	1/4-20 X 1" SRHMS	2
26	Ground Bracket	1
27	10-32 X 1/4" SHWHSW	2

Siemens Energy & Automation, Inc.
 Distribution Products Division
 5400 Triangle Pkwy.
 Norcross, GA 30092