

SLMPRO6

SLIMLED™

6" Round LED Slim Profile Recess Retrofit, 17W,
Dimmable
Recess Lighting

Job Information		
Project Name		Type
Location		
Quantity		Date
Contact/Phone		
Notes		

Features

Body

Durable airtight aluminum body with etched white PMMA diffuser lens for low glare.

LED Characteristics

This general application light fixture features a 17 watt LED module that maintains uniform intensity producing up to 1200 lumens; with a typical CRI of 80. Available in 2700 K, 3000 K, 3500 K or 4000 K colour temperature.

Dimming

100%-10% dimming capability. This fixture is compatible with industry standard TRIAC/ELV dimmers (contact factory for listing of compatible dimmers).

Beam Spread

The fixture lens provides 110° beam spread.

Mounting

Includes two spring loaded clips to attached to any ceiling material.

LED Driver

Extruded aluminum hardwire box with 420mA dimmable class II electronic LED driver with 100-135V AC input. Includes an 18" plenum rated FT6 wire with DC 2.1 connector from driver to fixture.

Quick Connect push-in terminals

Three "Quick connect" push-in terminals for fast and easy wiring.

Operating Temperature

-20°C~40°C (-4°F~104°F)

Environment

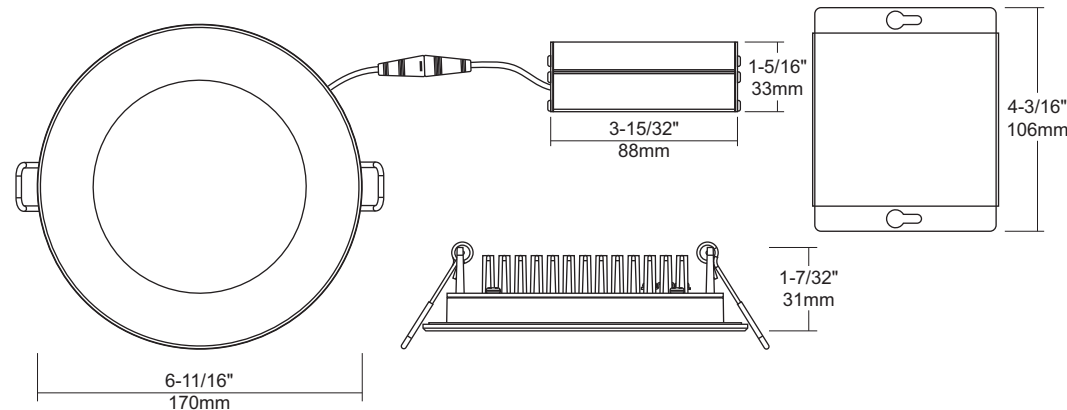
- Suitable for wet locations.
- Suitable for insulated ceiling applications.

SPECIFICATION	
Application	Ceiling Recess Mount
Approved Location	Wet
Beam Angle	110°
CCT	2700 K / 3000 K / 3500 K / 4000 K
Certification	cETLus
Class II	Yes
Colour	BK / BN / SL / WH
CRI	80
Dimming	Yes
Dimming Tech	Phase dimming
Energy Star	Yes
Hole Cut	Ø 6 ³ / ₁₆ " (157mm)
Input	100-135V AC
LM80	Yes
Lumens	1150 / 1175 / 1175 / 1200 (based on WH)
Lumens per Watt	67.6 / 69.1 / 69.1 / 70.5 (based on WH)
Power Factor	>0.9
Projected Life	70% @ 50,000 hrs
Warranty	Lifetime ¹
Wattage	17W



Description

The SLMPRO6 is a 17 watt 6" round slim profile light fixture for recess retrofit application. It is a high-performance, easy to install residential and commercial grade downlight solution that offers super high output, energy-efficiency and streamlined design. Suitable for wet locations.



Notes: Accessories are sold separately. For additional options please consult your Liteline representative. Due to our continued efforts to improve our products, product specifications are subject to change without notice.

Ordering Guide

SLMPRO6	Colour Temperature	Driver Options ¹	Trim Finish
	<div style="border: 1px solid black; width: 100px; height: 20px; margin-bottom: 5px;"></div> <div style="border: 1px solid black; width: 100px; height: 20px; margin-bottom: 5px;"></div> <div style="border: 1px solid black; width: 100px; height: 20px; margin-bottom: 5px;"></div> <div style="border: 1px solid black; width: 100px; height: 20px;"></div>	<div style="border: 1px solid black; width: 150px; height: 20px; margin-bottom: 5px;"></div> <div style="border: 1px solid black; width: 150px; height: 20px; margin-bottom: 5px;"></div> <div style="border: 1px solid black; width: 150px; height: 20px; margin-bottom: 5px;"></div> <div style="border: 1px solid black; width: 150px; height: 20px; margin-bottom: 5px;"></div> <div style="border: 1px solid black; width: 150px; height: 20px;"></div>	<div style="border: 1px solid black; width: 80px; height: 20px; margin-bottom: 5px;"></div> <div style="border: 1px solid black; width: 80px; height: 20px; margin-bottom: 5px;"></div> <div style="border: 1px solid black; width: 80px; height: 20px;"></div>
	<p>27K : 2700 K</p> <p>30K : 3000 K</p> <p>35K : 3500 K</p> <p>40K : 4000 K</p>	<p>Leave blank for standard 120V driver</p> <p>L3 : Lutron Hi-Lume® 1% (3 Wire)</p> <p>E : Lutron Hi-Lume® 1% (EcoSystem®)</p> <p>EM : Emergency Backup, 120~277V, 0-10V</p> <p>C : 120~347V, 0-10V</p>	<p>BK : Black</p> <p>BN : Brushed Nickel</p> <p>SL : Silver</p> <p>WH : White</p>

¹ Lifetime warranty only applies to fixture and standard driver. All other drivers are 5 year warranty.

Accessories



SLM-60-FC

60" Flexible connector, for use with SlimLED fixtures.



P-NCMK-1

New construction mounting kit. Includes hanger bars, brackets and screws.



VBE-3

Vapour barrier extender. For use in remodel applications.



P-6020

6 1/4" Round pre-mounting plate with driver attachment clip, for 6" SlimLED round fixtures.



VBE-1

Vapour barrier extender. For use in new construction applications.



VBE-4

Vapour barrier extender. For use in remodel applications.

Compatible Dimmers

Dimmer Type	Brand	Model	Light Output		Maximum Number of Fixtures per Dimmer	
			Min	Max	Min	Max
CFL/LED	Lutron	DVCL-153	10%	89%	1	14
		CTCL-153	0%	88%	1	1
		MACL-153	0%	82%	1	1
		PD-6WCL-	0%	83%	1	2
	Legrand	HCL453PTC	0%	90%	1	12
	Leviton	6674	6%	90%	1	5
ELV	Lutron	MAELV-300	0%	91%	1	16
		NTELV-300	7%	82%	1	16
	Legrand	H703PTU	6%	98%	2	40
	Cooper	AAL06	16%	90%	2	9
		6615	15%	96%	1	35
		IPE04	10%	92%	1	34
		DSE06	5%	96%	1	34
Incandescent	Lutron	D600	0%	86%	1	12
		DV-600P	0%	90%	2	10
	Cooper	R1061	0%	94%	2	9
	Leviton	6633-P	0%	97%	4	12