

# Modular Meter Centres

## Safety Switch, Tap Box and Main Lug Feed Kit

*Selection*

### Service Entrance Module<sup>①</sup>

System	Ampere Rating	Catalogue Number	Cable lug size per phase - suitable for Al. and Cu.	Dimensions - Inches (mm)			Weight - lbs.(kg)
				H	W	D	
120/240 1Ø 3W	400	ID225	Line, Load: (1) 1/0 AWG - 750 Kcmil or (2) 1/0 AWG - 250 Kcmil Neutral: (1) 1/0 AWG - 750 Kcmil or (2) 1/0 AWG - 250 Kcmil	40 (1016)	18 <sup>1/2</sup> (470)	12 <sup>1/16</sup> (306)	78 (35.4)
	600	ID226		48 (1219)	21 <sup>1/2</sup> (546)	12 <sup>1/16</sup> (306)	92 (41.7)
	800	HFC227N	Line, Load: (1) 1/0 AWG - 750 Kcmil Neutral: (2) 1/0 AWG - 750 Kcmil	67 <sup>3/16</sup> (1706)	39 <sup>15/16</sup> (1015)	9 <sup>1/4</sup> (235)	365 (65.6)
	1200	HFC228N		67 <sup>3/16</sup> (1706)	39 <sup>15/16</sup> (1015)	9 <sup>1/4</sup> (235)	385 (174.6)
120/208 3Ø 4W	400	ID425	Line, Load: (1) 1/0 AWG - 750 Kcmil or (2) 1/0 AWG - 250 Kcmil Neutral: (1) 1/0 AWG - 750 Kcmil or (2) 1/0 AWG - 250 Kcmil	40 (1016)	18 <sup>1/2</sup> (470)	12 <sup>1/16</sup> (306)	92 (41.7)
	600	ID426		48 (1219)	21 <sup>1/2</sup> (546)	12 <sup>1/16</sup> (306)	108 (49)
	800	HFC367N	Line, Load: (1) 1/0 AWG - 750 Kcmil Neutral: (2) 1/0 AWG - 750 Kcmil	67 <sup>3/16</sup> (1706)	39 <sup>15/16</sup> (1015)	9 <sup>1/4</sup> (235)	375 (170.1)
	1200	HFC368N		67 <sup>3/16</sup> (1706)	39 <sup>15/16</sup> (1015)	9 <sup>1/4</sup> (235)	395 (179.1)

### Standard Tap Boxes<sup>②</sup> - connector included

System	Ampere Rating	Catalogue Number	Cable lug size per phase - suitable for Al. and Cu cables	Dimensions - Inches (mm)			Weight - lbs.(kg) <sup>⑤</sup>
				H	W	D	
120/240 1Ø 3W	400/600	MLTB1-600	(3) #2 AWG - 600 Kcmil or (4) 1/0 AWG - 750 Kcmil	25 <sup>3/4</sup> (655)	20 <sup>1/2</sup> (521)	7 <sup>1/4</sup> (184)	40 (18.2)
	800/1200	MLTB1-1200 <sup>③</sup>		25 <sup>3/4</sup> (655)	20 <sup>1/2</sup> (521)	7 <sup>1/4</sup> (184)	45 (20.5)
120/208 3Ø 4W	400/600	MLTB3-600	(3) #2 AWG - 600 Kcmil or (4) 1/0 AWG - 750 Kcmil	25 <sup>3/4</sup> (655)	20 <sup>1/2</sup> (521)	7 <sup>1/4</sup> (184)	40 (18.2)
	800/1200	MLTB3-1200 <sup>③</sup>		25 <sup>3/4</sup> (655)	20 <sup>1/2</sup> (521)	7 <sup>1/4</sup> (184)	45 (20.5)

### Feed Through Tap Boxes<sup>②⑤</sup> - Use with even number of meter stacks only

120/240 1Ø 3W	400/600	MLTB1-600FT	(4) 250 Kcmil - 750 Kcmil or (8) 3/0 AWG - 250 Kcmil	25 <sup>3/4</sup> (655)	20 <sup>1/2</sup> (521)	7 <sup>1/4</sup> (184)	45 (20.5)
	800/1200	MLTB1-1200FT <sup>⑥</sup>		46 <sup>1/4</sup> (1175)	24 (610)	7 <sup>1/4</sup> (184)	60 (27.3)
120/208 3Ø 4W	400/600	MLTB3-600FT	(4) 250 Kcmil - 750 Kcmil or (8) 3/0 AWG - 250 Kcmil	25 <sup>3/4</sup> (655)	20 <sup>1/2</sup> (521)	7 <sup>1/4</sup> (184)	45 (20.5)
	800/1200	MLTB3-1200FT <sup>⑥</sup>		46 <sup>1/4</sup> (1175)	24 (610)	7 <sup>1/4</sup> (184)	60 (27.3)

### Main Lug Feed Kit - For direct tap (no tap box) from safety switch to metering stack

System	Ampere Rating	Catalogue Number	Cable lug size per phase - suitable for Al. and Cu cables	Use with Meter Module Type	Weight - lbs.(kg)
120/240 1Ø 3W	400/600	MLFK1	(2) 1/0 AWG - 750 Kcmil or (4) 1/0 AWG - 250 Kcmil	MMC1 MMC14-6125	2 <sup>1/2</sup> (1.1)
120/208 3Ø 4W	400/600	MLFK3	(2) 1/0 AWG - 750 Kcmil or (4) 1/0 AWG - 250Kcmil	MMC3 MM35-6125	3 (1.3)

### Transition Box - Allows more working space to connect on Main Lug Feed Kit

System	Ampere Rating	Catalogue Number	Dimensions - Inches (mm)			Weight - lbs.(kg)
			H	W	D	
120/240 1Ø 3W	400/600	MTB-600	25 <sup>3/4</sup> (655)	20 <sup>1/2</sup> (521)	7 <sup>1/4</sup> (184)	30 (13.7)
120/208 3Ø 4W						

① Fusible switch can be mounted directly next to metering stack with a Standard Tap Box or with a Main Lug Feed Kit (with or without Transition Box).

② Tap Box mounts directly next to the Meter Stack and is required to accommodate incoming main service cable, unless Main Lug Feed Kit is used. Suitable for left and right side entry.

③ Can be used with even and odd number of metering stacks. In addition, for odd number of stack connections, adaptor kit #MTBK12 must be used.

④ Weight is based on 3Ø 4W system (Heaviest pcs).

⑤ Feed through tap boxes are required when the main incoming cables enter and exit at the same end of line up.

⑥ Module comes factory assembled for left hand side entry. For right hand side entry, bus bars and insulated supports must be moved at the other hole set, marked with an "R", before wall installation.

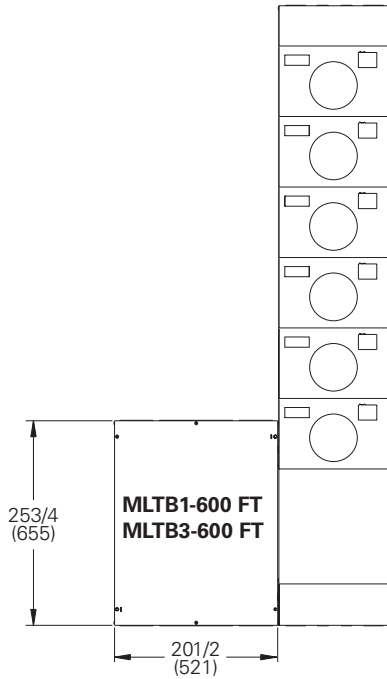
# Modular Meter Centres

## Configuration Data

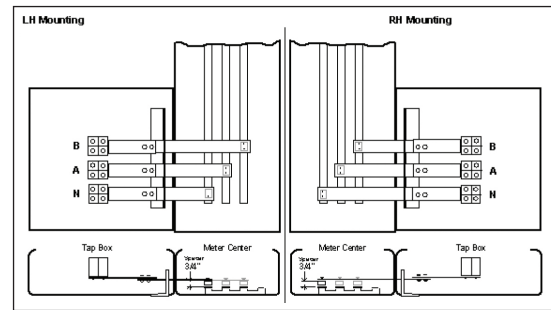
*Selection*

Configurations with feed through Tap Box 600A

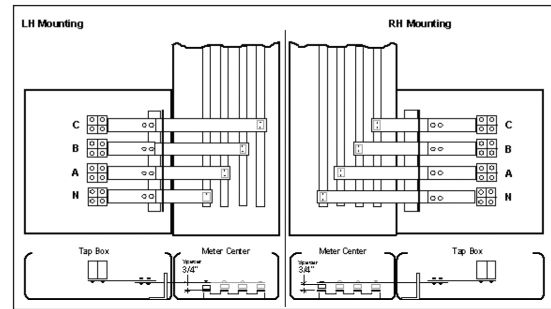
METER CENTERS 2



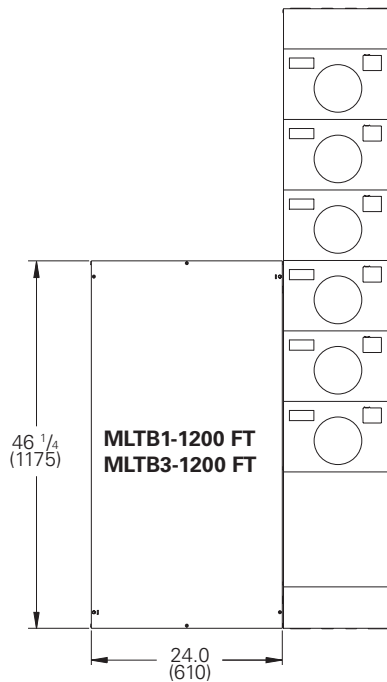
**MLTB1-600FT**



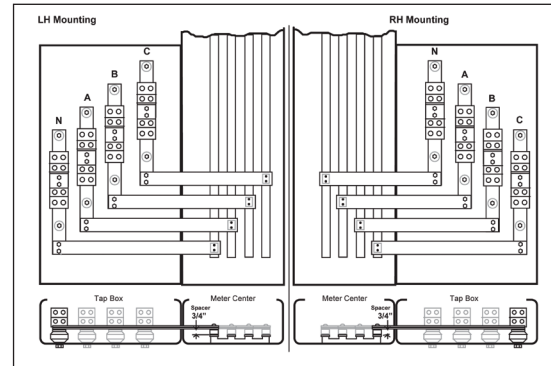
**MLTB3-600FT**



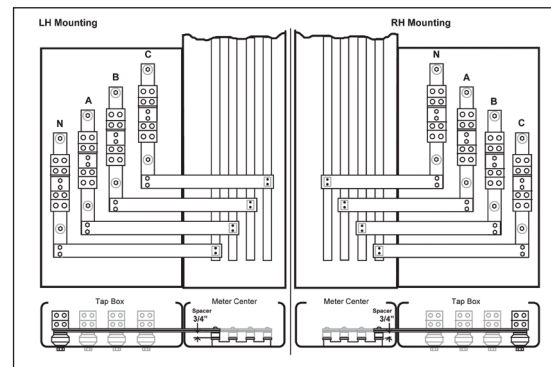
Configurations with feed through Tap Box 1200A



**MLTB1-1200FT**



**MLTB3-1200FT**



Note: For Feed-Through Tap Box 1200A, standard assembly is for left hand mounting. For right hand mounting, bus bar and insulated support must be moved at the other hole set (marked with an "R") before wall installation.