

# PRMPN-2

## PLASTIC COMBO RUNNING MAN STANDALONE LED 120/347VAC Input



**Approvals:**  
CSA Certified to C22.2 #141.15, C860

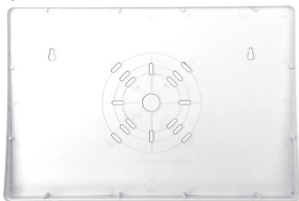
### DESCRIPTION

The PRMPN-2 commercial plastic combination running man sign is designed using durable and lightweight high impact thermoplastic. Combination sign with a canopy quick snap for a decorative look or a flush mount for rigid installation.

### CIRCUITRY

- LED ultra bright light source
- 120/347VAC Input, field selectable
- 120V/0.46A 3.93W; 347V/0.37A 3.27W max power consumption
- Dry or damp location
- Ambient temperature 10°C to 35°C
- 4.1W at 120V and 3.3W at 347V
- 90 minutes emergency power duration standard
- Two 1W LED heads
- Push button test switch
- Diagnostic/pilot LED for AC ON
- Fully automatic, current limited charger
- Solid state design and construction with brownout and short circuit protection
- Temperature compensated
- Maintenance free, Ni-Cad battery

**Flush wall mount backplate. Use for direct wall mount (no canopy required) Spider knock-out for wall-mount**



**Universal canopy**



**quick ship**



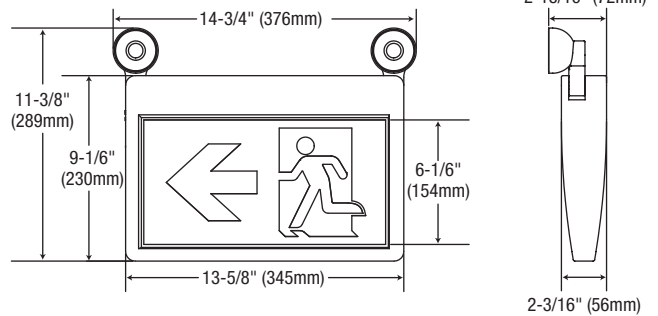
Tapered Mount

### MECHANICAL

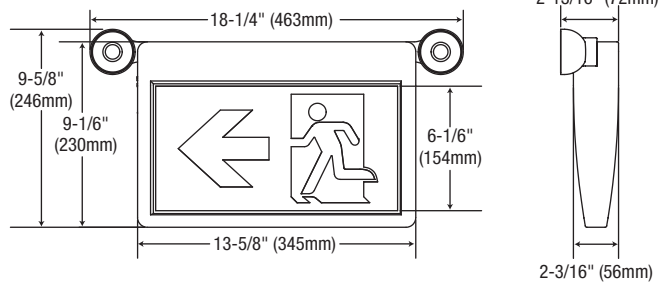
- High impact, UV stabilized, thermoplastic construction
- Quick snap faceplates and universal canopy for rapid and simple installation
- Universal faces
- Universal mounting
- White colour is standard
- Fully adjustable, high impact thermoplastic round LED heads are standard

### DIMENSIONS

#### Flush mount



#### Tapered mount



### ORDERING GUIDE

<b>PRMPN-2</b>
Series
<b>PRMPN-2</b>



**Comes standard with three pictogram legends for direction selection.**

**QUICK SHIP:** Not all products are Quick Ship. To view our Quick Ship qualified products, please consult our Quick Ship Product Guide at [stanprols.com/quick-ship-product-guide](http://stanprols.com/quick-ship-product-guide). Product availability is subject to change without notice. Please contact your Stanpro customer service representative to confirm inventory levels at time of order.