



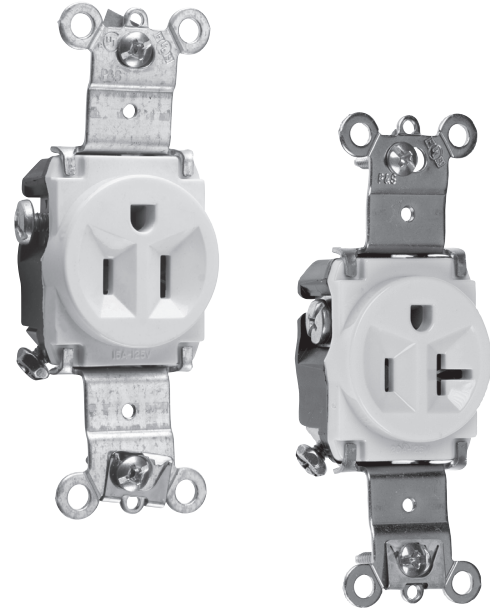
PASS & SEYMOUR®

Heavy-Duty Spec Grade Single Receptacles Straight Blade 15 & 20A, 125V

5261, 5361

Designed for long-term dependability.

These single receptacles feature durable, triple-wipe, single-piece, brass contacts and heavy-gauge steel straps, plated for enhanced corrosion resistance. Strap locks into the receptacle body to prevent pull-outs, and each features a ground clip for automatic ground connection to metal boxes. Screw-pressure-plate back wiring speeds installation and enables optional side wiring.



FEATURES & BENEFITS

Two drive screws anchor steel strap to back body and face where abrupt removal torque is greatest.

Backed-out tri-drive steel terminal screws. Internal screw-pressure-plate back and side wire capability. Two back wire holes for increased wiring flexibility.

Heavy-duty, corrosion-resistant zinc-plated steel strap for added strength.

One-piece brass triple-wipe power contacts for lasting retention.



5361W

FIELD USES/VERTICAL MARKETS

- Retail
- Office
- Hospitality/Lodging
- Multiple Dwelling



PASS & SEYMOUR®

Heavy-Duty Spec Grade Single Receptacles Straight Blade 15 & 20A, 125V

ORDERING INFORMATION

Catalog Number	Rating		Color	NEMA Config. No.
	A.	V.		
Single Receptacles Back & Side Wire				
5261I	15	125	Ivory	5-15R
5261W	15	125	White	5-15R
5261	15	125	Brown	5-15R
5261LA	15	125	Light Almond	5-15R
5361I	20	125	Ivory	5-20R
5361W	20	125	White	5-20R
5361	20	125	Brown	5-20R
5361LA	20	125	Light Almond	5-20R



NEMA
5-15R



NEMA
5-20R

For more information on these and other P&S products refer to our Catalog or visit our web site.

PASS & SEYMOUR®

Heavy-Duty Spec Grade Single Receptacles Straight Blade 15 & 20A, 125V



TECHNICAL SPECIFICATIONS

3rd Party Compliance

UL Listed, File Number E140596, Standard UL498; Federal Specification WC596; CSA Certified, Standard CSA-C22.2 No. 42.

Performance

Electrical

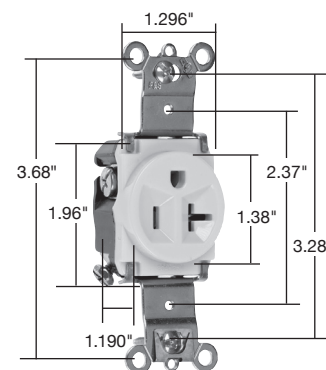
Dielectric Voltage	Withstands 2000V minimum
Maximum Working Voltage	125V
Current Interrupting	Certified for current interrupting at full-rated current
Temperature Rise	Maximum 30°C temperature rise at full-rated current after 50 cycles of overload at 150% of rated current with direct current

Mechanical

Terminal Identification	Terminal identification in accordance with UL498 (Brass, White, Green)
Terminal Accommodation	#14 - #10 AWG copper conductor only
Product Identification	Ratings are a permanent part of the device

Environmental

Flammability	UL94 V2
--------------	---------



Dimensions for
15 & 20 Amp

Materials

Face	Nylon	Terminal Screws	Tri-Drive Brass
Back Body	PVC	Hex Head Grounding Screw	Tri-Drive Zinc Plated Steel
Contacts	.032 (.8) Brass	Assembly Rivets	Steel
Clamping Plate	.080 Steel	Mounting Screws	Tri-Drive Steel
Mounting Strap	.042 Steel		
Self-Grounding Clip	Steel		

Warranty

1 Year