

Individual Spec Sheet

LED WALL SCONCE - LINEAR

12"

ORDERING INFORMATION

Order code: 67345
Model number: SVAN/5W/12IN/40K/BN/F/STD
UPC: 069549673458
Case quantity: 10

PHYSICAL DATA

Size in. (mm): 12" (305 mm)
Housing finish: Brushed Nickel
Lens finish: Frosted
Lens material: Polycarbonate

PERFORMANCE DATA

Watts (W): 5
Volts (VAC): 120
Colour temp. (K): 4 000
Lumen output (lm): 449
Lumen per Watts (lm/W): 90
CRI: 90
Life L70 (h): 50 000
Beam angle (°): 120
THD (%): <15
Power factor: >0.9
Frequency (Hz): 60
Dimming: Forward and Reverse
Operating temp. range: -20°C to 40°C (-4°F to 104°F)

¹ Typical colour temperature range: +/- 5 %

² Lumen values are derived from photometric testing. Initial lumens range: +/- 10 %

³ Life hours are derived from IESNA LM80-08 testing report and projected per IESNA TM-21-11 extrapolations

COMPATIBLE DIMMERS

Brand	Model
LUTRON	DVCL-153P, CTCL-153P, DVCL-253P, AYCL-253P, DVRP-253P-WH, SELV-300P
COOPER	RRD-6NA-WH, AAL06
LEVITON	6615, IPL06, 6674, DSL06-1LZ, IPE04-1LZ, DDMX1

NOTE: The above table shows dimmers that have been tested and have demonstrated proper operation under normal conditions. Each installation being unique, various factors such as load, common neutrals or other electrical products on the circuit can, in certain instances, cause variance in system performance. Read and comply to the dimmer installation instructions. Consult dimming system manufacturer for additional support in operation. Stanpro recommends to use dimmers designed to work with LED products. Older dimmers designed for incandescent products may cause erratic operation. Some dimmers may require more than one product for stable operation. The maximum number of products is determined by the dimmer wattage rating with LEDs. Be careful, these dimmers have different ratings depending on the product type. Again, refer to the dimmer installation instructions.



quick
ship



LED
fixture



dimmmable
fixture



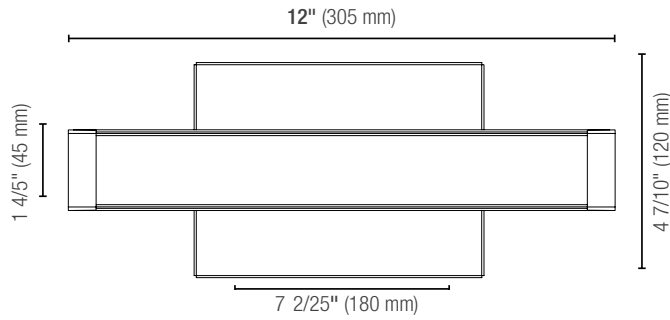
damp
location



ICES
005



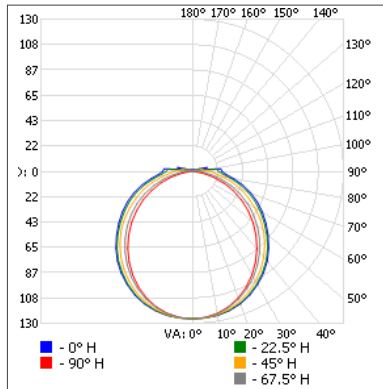
DIMENSIONS



PHOTOMETRIC DATA¹

67345 • SVAN/5W/12IN/40K/BN/F/STD • 418.4 lm

Polar candela distribution



Zonal lumen summary

Zone	Lumens	% Fixture
0-30	98.5	23.6
0-40	161.9	38.7
0-60	291.0	69.5
60-90	107.4	25.7
70-100	68.4	16.3
90-120	17.7	4.2
0-90	398.4	95.2
90-180	20.0	4.8
0-180	418.4	100

Illuminance at a distance

Center beam fc		Beam width	
1.7'	43.6	7.0'	4.5'
3.3'	11.6	13.6'	8.7'
5.0'	4.05	20.6'	13.1'
6.7'	2.81	27.6'	17.6'
8.3'	1.83	34.2'	21.8'
10'	1.26	41.2'	26.2'

■ Vert. spread: 128.2°
■ Horiz. spread: 105.3°

¹ Complete IES files available on our website.

Qty	Description	Price

I accept the specifications of the luminaire configuration mentioned above.

Name: _____

Company: _____

Signature: _____

Date: _____

Data is based upon tests performed in a controlled environment. Actual performance can vary depending on operating conditions. All products are subject to change or may be discontinued any time without notice.