

## LPDL LED LOW PROFIL DOWNLIGHT

LPDL™ (Low Profil Downlight) gives you all the flexibility you need during installation, especially in confined area or when facing constraints such as wood beams, ceiling joist or air ducts. The driver is mounted separately nfrom the light source which allows the luminaire profile to be less than 1" thick!

### FEATURES AND SPECIFICATIONS

#### • Construction

##### Finishing

- White, Silver or Black finish
- Round and square shape, 3", 4" and 6".

##### Mounting

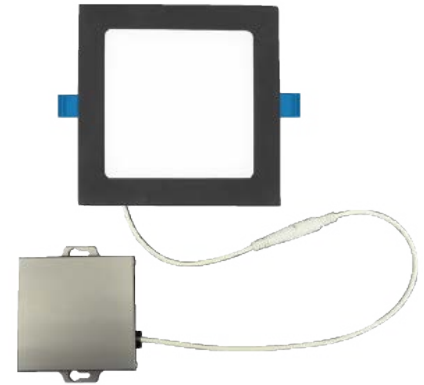
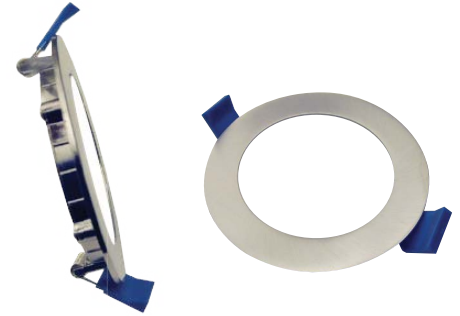
- LED module with LED driver easily installed with quick connect wire
- Torsion spring mounting clips

#### • Technical specifications

- Phase-cut dimming
- Color temperature 3 000-2 200, 2 700, 3 000, 4 000 and 5 000K
- Ambient temperature: -20° to 45°
- 110° and 120° beam angles

#### • Compliances

- cETLus
- Energy Star



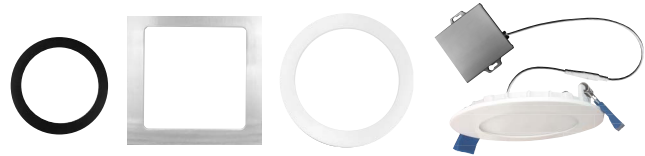
### OVERVIEW

Light source	LED
Watts (W)	7, 9, 12
Lumen output (lm)	400 - 820
Efficiency (lm/W)	50 - 68
Color temperature (K)	2 700, 3 000, 3 500, 4 000, 5 000 3 000-2 200
CRI	80+



<sup>1</sup>S2- Large junction box

**QUICK SHIP AND TECHNICAL SPECIFICATION TABLE** 



**S1 - Small junction box**

Order code	Part number	Watts (W)	Volts (VAC)	Color temp. (K) <sup>2</sup>	Lumen output (lm) <sup>3</sup>	Efficiency (lm/W)	CRI	Life L70 (hrs) <sup>4</sup>	Tested hours LM-80 (hrs) <sup>4</sup>	Beam angle (°)	Finish	Power factor	THD (%)	Traditional equivalent (W)	Case qty (master)
<b>3" Round</b>															
65851	LPDL3R-07SA/30WH	7	120	3 000	480	69	80	50 000	9 000	110	White	>0.9	<40	50	24
65852	LPDL3R-07SA/30BN	7	120	3 000	480	69	80	50 000	9 000	110	Brushed nickel	>0.9	<40	50	24
65853	LPDL3R-07SA/40WH	7	120	3 000	500	71	80	50 000	9 000	110	White	>0.9	<40	50	24
65854	LPDL3R-07SA/40BN	7	120	4 000	500	71	80	50 000	9 000	110	Brushed nickel	>0.9	<40	50	24
<b>3" Round Warm-Dim</b>															
65858	LPDL3R-07SA/WDWH	7	120	3 000-2 200	400	57	80	50 000	9 000	110	White	>0.9	<40	50	24
65859	LPDL3R-07SA/WDBN	7	120	3 000-2 200	400	57	80	50 000	9 000	110	Brushed nickel	>0.9	<40	50	24
<b>3" Square</b>															
65855	LPDL3S-07SA/30WH	7	120	3 000	430	61	80	50 000	9 000	110	White	>0.9	<40	50	24
65856	LPDL3S-07SA/30BN	7	120	3 000	430	61	80	50 000	9 000	110	Brushed nickel	>0.9	<40	50	24
65857	LPDL3S-07SA/40WH	7	120	4 000	430	61	80	50 000	9 000	110	White	>0.9	<40	50	24
<b>4" Round</b>															
63879	LPDL4R-09SA/27WH	9	120	2 700	520	57	80	50 000	-	120	White	>0.9	<40	50	24
63882	LPDL4R-09SA/30WH	9	120	3 000	550	61	80	50 000	-	120	White	>0.9	<40	50	24
63884	LPDL4R-09SA/30SV	9	120	3 000	550	61	80	50 000	-	120	Brushed nickel	>0.9	<40	50	24
63883	LPDL4R-09SA/30BK	9	120	3 000	550	61	80	50 000	-	120	Black	>0.9	<40	50	24
63885	LPDL4R-09SA/40WH	9	120	4 000	580	64	80	50 000	-	120	White	>0.9	<40	50	24
63887	LPDL4R-09SA/40SV	9	120	4 000	580	64	80	50 000	-	120	Brushed nickel	>0.9	<40	50	24
63886	LPDL4R-09SA/40BK	9	120	4 000	580	64	80	50 000	-	120	Black	>0.9	<40	50	24
<b>4" Round Warm-Dim</b>															
65364	LPDL4R-09SA/WDWH	9	120	3 000-2 200	500	55	80	50 000	6 000	110	White	>0.9	<40	50	24
65365	LPDL4R-09SA/WDSL	9	120	3 000-2 200	500	55	80	50 000	6 000	110	Brushed nickel	>0.9	<40	50	24
<b>6" Round</b>															
63864	LPDL6R-12SA/30WH	12	120	3 000	780	65	80	50 000	9 000	120	White	>0.9	<40	60	24
63866	LPDL6R-12SA/30SV	12	120	3 000	780	65	80	50 000	9 000	120	Brushed nickel	>0.9	<40	60	24
63867	LPDL6R-12SA/40WH	12	120	4 000	800	67	80	50 000	9 000	120	White	>0.9	<40	60	24
63869	LPDL6R-12SA/40SV	12	120	4 000	800	67	80	50 000	9 000	120	Brushed nickel	>0.9	<40	60	24

<sup>1</sup> **QUICK SHIP:** Product availability is subject to change without notice. Please contact your Stanpro customer service representative to confirm inventory levels at time of order.

<sup>2</sup> Typical color temperature range: +/- 5 %.

<sup>3</sup> Lumen values are derived from photometric testing. Initial lumens range: +/- 10 %.

<sup>4</sup> Life hours are derived from IESNA LM-80-08 testing report and projected per IESNA TM-21-11 extrapolations.

Data is based upon tests performed in a controlled environment. Actual performance can vary depending on operating conditions. All products are subject to change or may be discontinued any time without notice.

## QUICK SHIP AND TECHNICAL SPECIFICATION TABLE <sup>1</sup>



### S2 - Large junction box

Order code	Part number	Watts (W)	Volts (VAC)	Color temp. (K) <sup>2</sup>	Lumen output (lm) <sup>3</sup>	Efficiency (lm/W)	CRI	Life L70 (hrs) <sup>4</sup>	Tested hours LM-80 (hrs) <sup>4</sup>	Beam angle (°)	Finish	Power factor	THD (%)	Traditional equivalent (W)	Case qty (master)
<b>4" Round Warm-Dim</b>															
65944	LPDL4R-09LA/WDWH	9	120	3 000-2 200	450	50	80	50 000	9 000	120	White	>0.9	<40	50	24
65945	LPDL4R-09LA/WDBN	9	120	3 000-2 200	450	50	80	50 000	9 000	120	Brushed nickel	>0.9	<40	50	24
<b>4" Round Wet Location</b>															
65724	LPDL4R-09LA/30WH/W	9	120	3 000	550	61	80	50 000	-	120	White	>0.9	<40	50	24
66220	LPDL4R-09LA/30BN/W	9	120	3 000	550	61	80	50 000	-	120	Brushed nickel	>0.9	<40	50	24
65725	LPDL4R-09LA/40WH/W	9	120	4 000	580	64	80	50 000	-	120	White	>0.9	<40	50	24
66221	LPDL4R-09LA/40BN/W	9	120	4 000	580	64	80	50 000	-	120	Brushed nickel	>0.9	<40	50	24
<b>4" Round FT6 cable for plenum</b>															
66960	LPDL4R-09LA/30WH/F	9	120	3 000	550	61	80	50 000	-	120	White	>0.9	<40	50	24
66961	LPDL4R-09LA/40WH/F	9	120	4 000	580	64	80	50 000	-	120	White	>0.9	<40	50	24
<b>4" Round</b>															
65936	LPDL4R-09LA/27WH	9	120	2 700	520	58	80	50 000	9 000	120	White	>0.9	<40	50	24
65937	LPDL4R-09LA/30W	9	120	3 000	550	61	80	50 000	9 000	120	White	>0.9	<40	50	24
65938	LPDL4R-09LA/30BN	9	120	3 000	550	61	80	50 000	9 000	120	Brushed nickel	>0.9	<40	50	24
65939	LPDL4R-09LA/30BK	9	120	3 000	550	61	80	50 000	9 000	120	Black	>0.9	<40	50	24
65940	LPDL4R-09LA/40WH	9	120	4 000	580	64	80	50 000	9 000	120	White	>0.9	<40	50	24
65941	LPDL4R-09LA/40BN	9	120	4 000	580	64	80	50 000	9 000	120	Brushed nickel	>0.9	<40	50	24
65942	LPDL4R-09LA/40BK	9	120	4 000	580	64	80	50 000	9 000	120	Black	>0.9	<40	50	24
65943	LPDL4R-09LA/50WH	9	120	5 000	600	67	80	50 000	9 000	120	White	>0.9	<40	50	24
<b>4" Square</b>															
65860	LPDL4S-09LA/30WH	9	120	3 000	550	61	80	50 000	9 000	120	White	>0.9	<40	50	24
65861	LPDL4S-09LA/30BN	9	120	3 000	550	61	80	50 000	9 000	120	Brushed nickel	>0.9	<40	50	24
65862	LPDL4S-09LA/40WH	9	120	4 000	580	64	80	50 000	9 000	120	White	>0.9	<40	50	24
65863	LPDL4S-09LA/40BN	9	120	4 000	580	64	80	50 000	9 000	120	Brushed nickel	>0.9	<40	50	24
<b>6" Round Wet Location</b>															
65726	LPDL6R12L/30WH-S/W	12	120	3 000	780	65	80	50 000	-	120	White	>0.9	<40	60	24
65727	LPDL6R12L/40WH-S/W	12	120	4 000	800	67	80	50 000	-	120	White	>0.9	<40	60	24
<b>6" Round FT6 cable for plenum</b>															
66962	LPDL6R-12LA/30WH/W	12	120	3 000	780	65	80	50 000	-	120	White	>0.9	<40	60	24
66963	LPDL6R-12LA/40WH/W	12	120	4 000	800	67	80	50 000	-	120	White	>0.9	<40	60	24
<b>6" Round</b>															
65946	LPDL6R-12LA/30WH	12	120	3 000	780	65	80	50 000	9 000	120	White	>0.9	<40	60	24
65949	LPDL6R-12LA/30BN	12	120	3 000	780	65	80	50 000	9 000	120	Brushed nickel	>0.9	<40	60	24
65947	LPDL6R-12LA/40WH	12	120	4 000	800	67	80	50 000	9 000	120	White	>0.9	<40	60	24
65950	LPDL6R-12LA/40BN	12	120	4 000	800	67	80	50 000	9 000	120	Brushed nickel	>0.9	<40	60	24
65948	LPDL6R-12LA/50WH	12	120	5 000	820	68	80	50 000	9 000	120	White	>0.9	<40	60	24
<b>6" Square</b>															
65864	LPDL6S-12LA/30WH	12	120	3 000	780	65	80	50 000	9 000	120	White	>0.9	<40	60	24

<sup>1</sup> **QUICK SHIP:** Product availability is subject to change without notice. Please contact your Stanpro customer service representative to confirm inventory levels at time of order.

<sup>2</sup> Typical color temperature range: +/- 5 %.

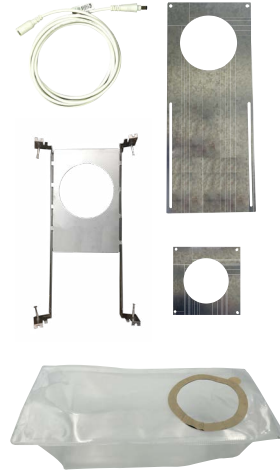
<sup>3</sup> Lumen values are derived from photometric testing. Initial lumens range: +/- 10 %.

<sup>4</sup> Life hours are derived from IESNA LM-80-08 testing report and projected per IESNA TM-21-11 extrapolations.

Data is based upon tests performed in a controlled environment. Actual performance can vary depending on operating conditions. All products are subject to change or may be discontinued any time without notice.

## ACCESSORIES (order separately)

Part number	Description	Type	Opening diameter (in)	Case qty (master)
66049	ACC/MPLATE/3.625IN/SQR/STD	Square mounting plate	3 5/8	96
66056	ACC/MPLATE/3.625IN/ADJ/STD	Adjustable mounting plate	3 5/8	96
66142	ACC/3/VAPOR BARRIER/STD	Vapor barrier extender	3 5/8	50
66820	ACC/MPLATE/3.625IN/HANG.BARS/STD	Mounting plate with hanger bars	3 5/8	25
66051	ACC/MPLATE/4.25/SQR/STD	Square mounting plate	4 1/4	100
66058	ACC/MPLATE/4.25/ADJ/STD	Adjustable mounting plate	4 1/4	24
66821	ACC/MPLATE/4.25IN/HANG.BARS/STD	Mounting plate with hanger bars	4 1/4	25
66143	ACC/4/VAPOR BARRIER/STD	Vapor barrier extender	4	50
66822	ACC/MPLATE/6.25IN/HANG.BARS/STD	Mounting plate with hanger bars	6 1/4	25
64263	ACC/MPLATE/6.25IN/SQR/STD	Square mounting plate	6 1/4	96
64921	ACC/MPLATE/6.25IN/ADJ/STD	Adjustable mounting plate	6 1/4	24
66144	ACC/6/VAPOR BARRIER/STD	Vapor barrier extender	6 2/9	50
64264	LPDL/ACC/6FT/EXTCABLE/STD	6' Extension cord	-	96
66964	LPDL/ACC/6FT/EXTCABLE/FT6/STD	6' FT6 Extension cord	-	96



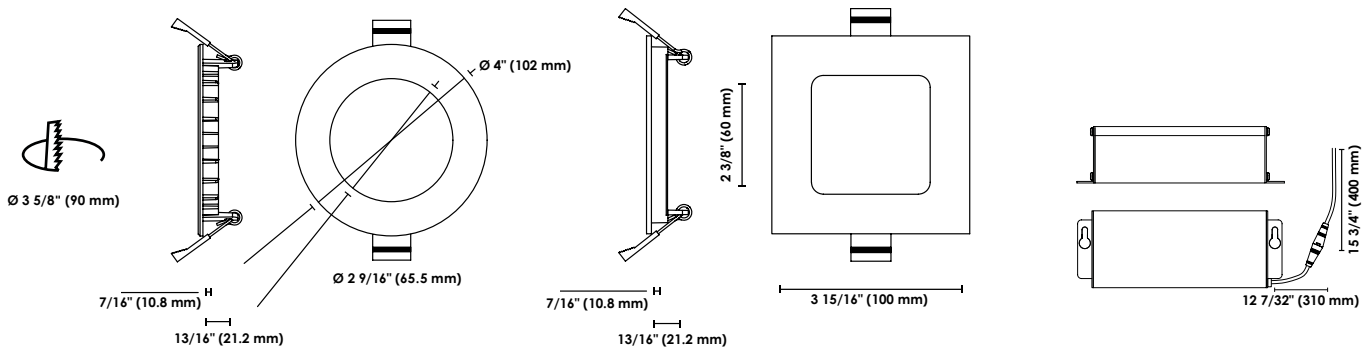
## COMPATIBLE DIMMERS

Brand	Product type & dimmer model number				
	3" (Round and square)	4" and 6" Round	4" and 6" Square	Wet location (65726-65727)	Wet location (65724-65725)
LEGRAND	HCL453P	HCL453P	HCL453P	HCL453P	HCL453P
COOPER	AAL06, DAL06P, SLC03P	9531AW, DAL06P, SLC03P	AAL06, DAL06P, SLC03P	AAL06, DAL06P, SLC03P	AAL06, DAL06P, SLC03P
LEVITON	6674, DSL06-1LZ, IPE04-1LZ	6615, 6674, DSL06-1LZ, DSM10-1LZ, IPE04-1LZ, IPL06	6615, 6674, DSL06-1LZ, DSM10-1LZ, IPE04-1LZ, IPL06	6615, 6674, DSL06-1LZ, DSM10-1LZ, IPE04-1LZ, IPL06	6615, DSL06-1LZ, DSM10-1LZ, IPE04-1LZ
LUTRON	AYCL-253P, CTCL-153P, DVCL-153P, DVCL-253P, DVELV-300P, MACL-153P, NTELV-600, SELV-300P	CTCL-153P, DVCL-153P, DVCL-253P, DVELV-300P, MACL-153P, NTELV-600, PD-6WCL, SELV-300P	AYCL-253P, CTCL-153P, DVCL-153P, DVCL-253P, DVELV-300P, MACL-153P, NTELV-600, PD-6WCL, SELV-300P	AYCL-253P, CTCL-153P, DVCL-153P, DVCL-253P, DVELV-300P, MACL-153P, NTELV-600, PD-6WCL, SELV-300P	AYCL-253P, CTCL-153P, DVCL-153P, DVCL-253P, DVELV-300P, MACL-153P, NTELV-600, PD-6WCL, SELV-300P

NOTE: The above table shows dimmers that have been tested and have demonstrated proper operation under normal conditions. Each installation being unique, various factors such as load, common neutrals or other electrical products on the circuit can, in certain instances, cause variance in system performance. Read and comply to the dimmer installation instructions. Consult dimming system manufacturer for additional support in operation. Standard recommends to use dimmers designed to work with LED products. Older dimmers designed for incandescent products may cause erratic operation. Some dimmers may require more than one product for stable operation. The maximum number of products is determined by the dimmer wattage rating with LEDs. Be careful, these dimmers have different ratings depending on the product type. Again, refer to the dimmer installation instructions.

Data is based upon tests performed in a controlled environment. Actual performance can vary depending on operating conditions. All products are subject to change or may be discontinued any time without notice.

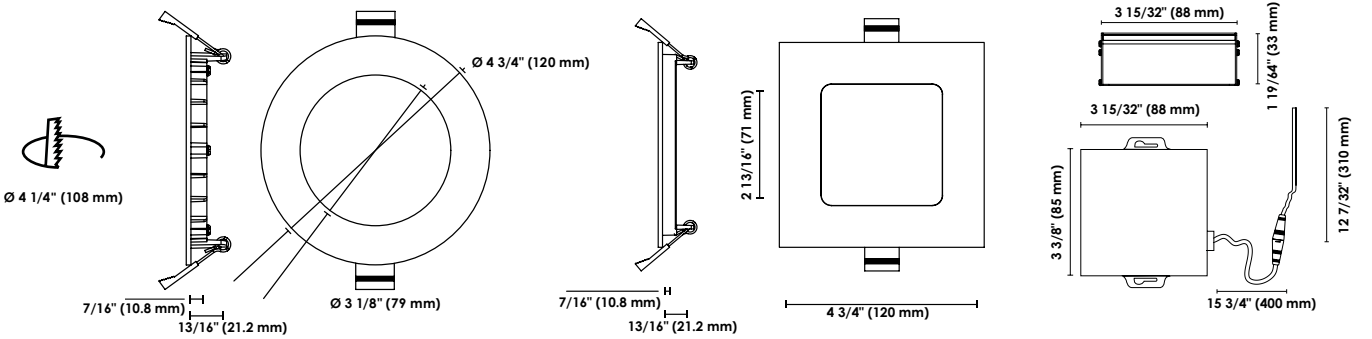
**DIMENSIONS**



**3"**

**3"**

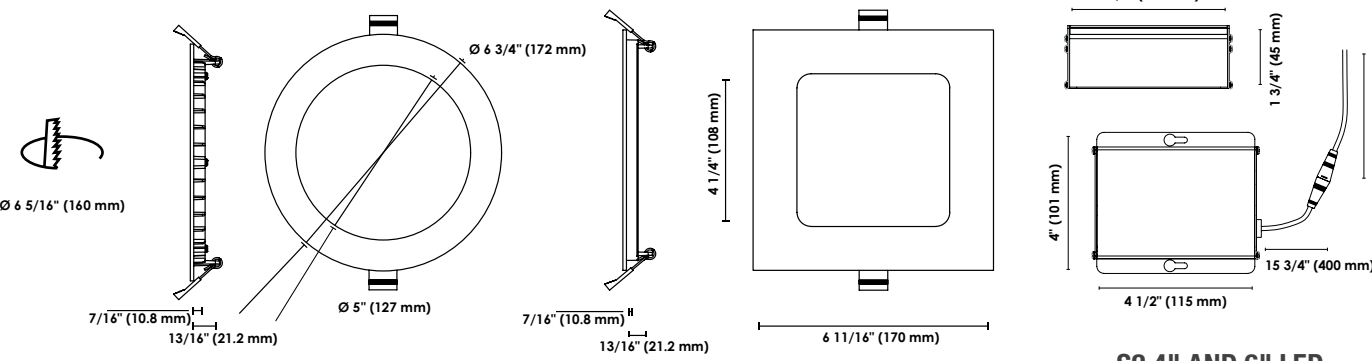
**3" LED DRIVER**



**4"**

**4"**

**S1 4" AND 6" LED DRIVER**



**6"**

**6"**

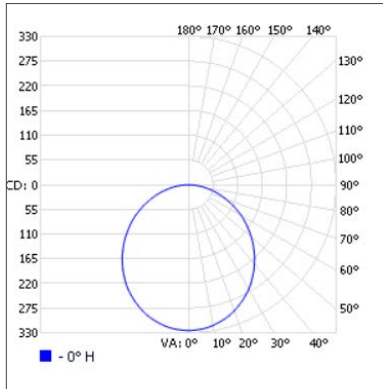
**S2 4" AND 6" LED DRIVER**

Data is based upon tests performed in a controlled environment. Actual performance can vary depending on operating conditions. All products are subject to change or may be discontinued any time without notice.

**PHOTOMETRIC DATA<sup>1</sup>**

63866 • LPDL6R12S/30SV-S • 904.6 lm

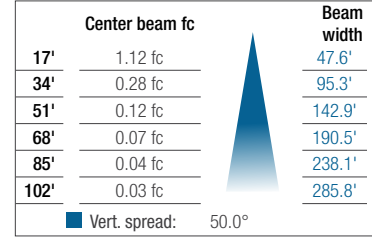
**Polar candela distribution**



**Zonal lumen summary**

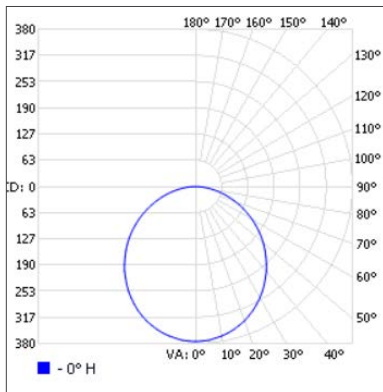
Zone	Lumens	% Fixture
0-30	249.3	27.6%
0-40	405.7	44.8%
0-60	708.7	78.3%
60-90	195.9	21.7%
70-100	86.3	9.5%
90-120	0	0%
0-90	904.6	100%
90-180	0	0%
0-180	904.6	100%

**Illuminance at a distance**



63867 • LPDL6R12S/40WH-S • 1 046.8 lm

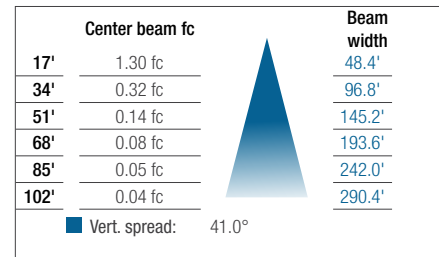
**Polar candela distribution**



**Zonal lumen summary**

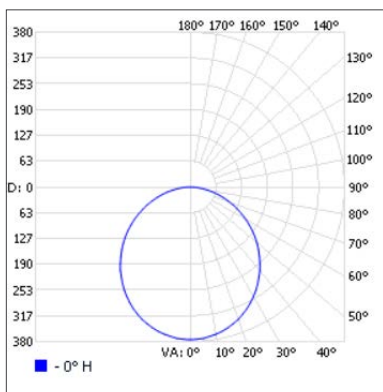
Zone	Lumens	% Fixture
0-30	288.3	27.5%
0-40	469.6	44.9%
0-60	822.5	78.6%
60-90	224.3	21.4%
70-100	97.3	9.3%
90-120	0	0%
0-90	1 046.8	100%
90-180	0	0%
0-180	1 046.8	100%

**Illuminance at a distance**



63869 • LPDL6R12S/40SV-S • 1 048.8 lm

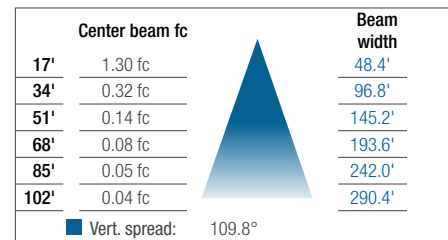
**Polar candela distribution**



**Zonal lumen summary**

Zone	Lumens	% Fixture
0-30	288.3	27.5%
0-40	469.6	44.9%
0-60	822.5	78.6%
60-90	224.3	21.4%
70-100	97.3	9.3%
90-120	0	0%
0-90	1 046.8	100%
90-180	0	0%
0-180	1 046.8	100%

**Illuminance at a distance**



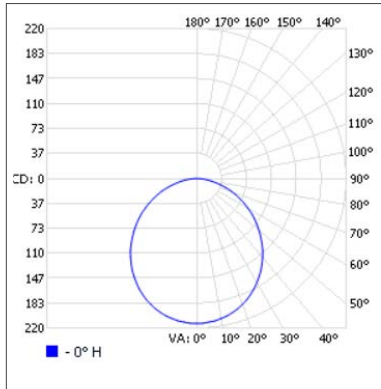
<sup>1</sup> Complete IES files available on our website.

Data is based upon tests performed in a controlled environment. Actual performance can vary depending on operating conditions. All products are subject to change or may be discontinued any time without notice.

## PHOTOMETRIC DATA<sup>1</sup>

63882 • LPDL4R09S/30WH-S • 585.1 lm

### Polar candela distribution



### Zonal lumen summary

Zone	Lumens	% Fixture
0-30	164.3	28.1%
0-40	267.3	45.7%
0-60	465.1	79.5%
60-90	120.1	20.5%
70-100	50.4	8.6%
90-120	0	0%
0-90	585.1	100%
90-180	0	0%
0-180	585.1	100%

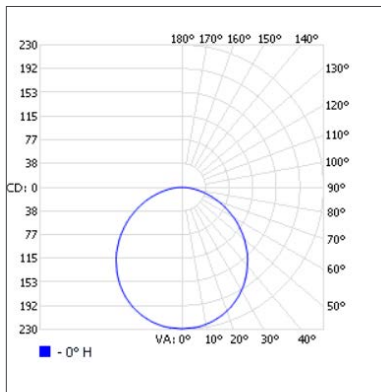
### Illuminance at a distance

	Center beam fc	Beam width
17'	0.74 fc	47.1' 47.2'
34'	0.18 fc	94.2' 94.3'
51'	0.08 fc	141.3' 141.5'
68'	0.05 fc	188.4' 188.7'
85'	0.03 fc	235.5' 235.9'
102'	0.02 fc	282.6' 283.0'

■ Vert. spread: 108.4°  
■ Horiz. spread: 108.4°

63885 • LPDL4R09S/40WH-S • 644.0 lm

### Polar candela distribution



### Zonal lumen summary

Zone	Lumens	% Fixture
0-30	177.8	27.6%
0-40	290.3	45.1%
0-60	508.6	79%
60-90	135.4	21%
70-100	58.1	9%
90-120	0	0%
0-90	644.0	100%
90-180	0	0%
0-180	644.0	100%

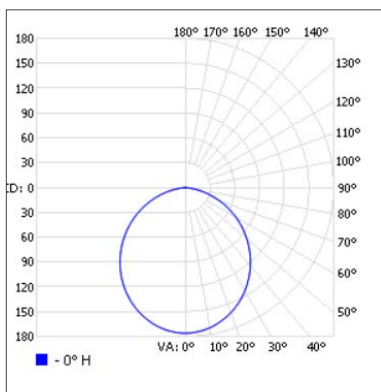
### Illuminance at a distance

	Center beam fc	Beam width
17'	0.79 fc	48.8'
34'	0.20 fc	97.6'
51'	0.09 fc	146.4'
68'	0.05 fc	195.2'
85'	0.03 fc	244.0'
102'	0.02 fc	292.9'

■ Vert. spread: 41.0°

63891 • LPDL4S09S/30WH-S • 468.7 lm

### Polar candela distribution



### Zonal lumen summary

Zone	Lumens	% Fixture
0-30	134.3	28.7%
0-40	218.1	46.5%
0-60	378.6	80.8%
60-90	90.1	19.2%
0-90	468.7	100%

### Illuminance at a distance

	Center beam fc	Beam width
17'	0.61 fc	46.1' 46.1'
34'	0.15 fc	92.2' 92.2'
51'	0.07 fc	138.2' 138.3'
68'	0.04 fc	184.3' 184.3'
85'	0.02 fc	230.4' 230.4'
102'	0.02 fc	276.5' 276.5'

■ Vert. spread: 107.2°  
■ Horiz. spread: 107.2°

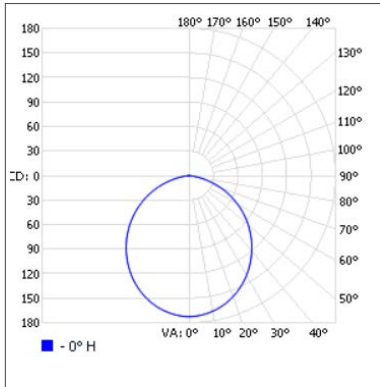
<sup>1</sup> Complete IES files available on our website.

Data is based upon tests performed in a controlled environment. Actual performance can vary depending on operating conditions. All products are subject to change or may be discontinued any time without notice.

## PHOTOMETRIC DATA<sup>1</sup>

63893 • LPDL4S09S/30WH-S • 453.4 lm

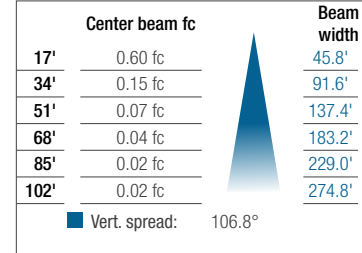
### Polar candela distribution



### Zonal lumen summary

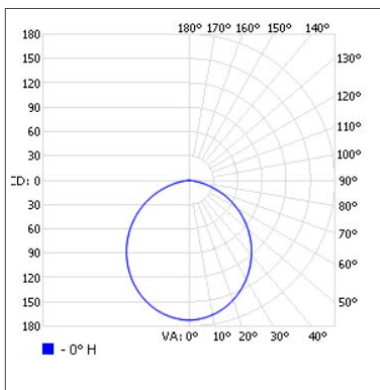
Zone	Lumens	% Fixture
0-30	131.5	29%
0-40	213.3	47%
0-60	369.7	81.5%
60-90	83.7	18.5%
0-90	453.4	100%

### Illuminance at a distance



63864 • LPDL6R12S/30WH-S • 904.6 lm

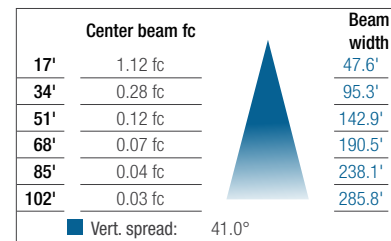
### Polar candela distribution



### Zonal lumen summary

Zone	Lumens	% Fixture
0-30	249.3	27.6%
0-40	405.7	44.8%
0-60	708.7	78.3%
60-90	195.9	21.7%
70-100	86.3	9.5%
90-120	0	0%
0-90	904.6	100%
90-180	0	0%
0-180	904.6	100%

### Illuminance at a distance



Data is based upon tests performed in a controlled environment. Actual performance can vary depending on operating conditions. All products are subject to change or may be discontinued any time without notice.