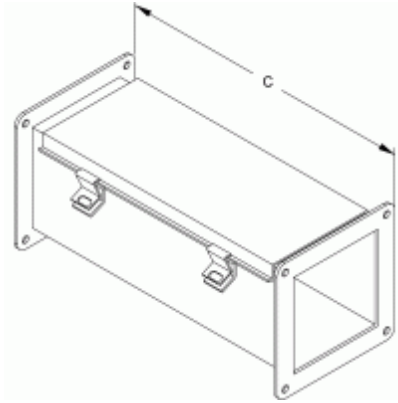




Quality Products. Service Excellence.

Typical Straight Section *1487SSS Series*



	4 x 4	6 x 6	8 x 8
Description	Part No.	Part No.	Part No.
12" Section	1487C12SS	1487D12SS	1487E12SS
24" Section	1487C24SS	1487D24SS	1487E24SS
36" Section	1487C36SS	1487D36SS	1487E36SS
48" Section	1487C48SS	1487D48SS	1487E48SS
60" Section	1487C60SS	1487D60SS	1487E60SS
120" Section	1487C120SS	1487D120SS	1487E120SS

Data subject to change without notice



© 2021. Hammond Manufacturing Ltd. All rights reserved.