

Date: _____
 In hands date of project: _____
 Project name/Number: _____
 Name of distributor: _____
 Client #: _____
 Name of end user: _____

ORDERING INFORMATION

Order code: 64573
 Description: LUC/PS/36W/24VDC/PLUG/STD
 UPC: 69549645738
 Case quantity: 1 / 25



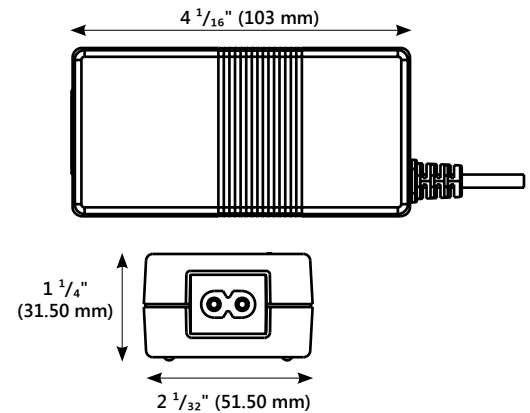
FEATURES AND SPECIFICATIONS

Product type: Plug-in Power Supply (Driver) - Non dimmable
 Colour of the product: Black
 Environment: Dry

PERFORMANCE

Output Power (W): 36
 Input Voltage (VAC): 100-240
 Output Voltage (V DC): 24
 Input Current (mA): 1 200
 Output Current (mA): 1 500
 Frequency (Hz): 50/60
 Power Factor: 0.5
 Operating Temperature: 0°C / 32°F to 40°C / 104°F
 Waterproof: No
 Minimum load (W): 1.2

TECHNICAL DRAWINGS



Qty	Description	Price

I accept the specifications of the product configuration mentioned above.

Name: _____
 Company: _____
 Signature: _____

Date: _____

Data is based upon tests performed in a controlled environment and representative of relative performance. Actual performance can vary depending on operating conditions. Specifications are subject to change without notice.