

# SKINTOP® SLN/ SLRN

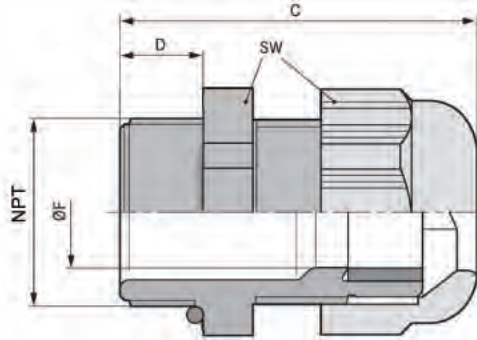
Liquid Tight, Non-Metallic Strain Relief Cable Gland with NPT Threads



SKINTOP® SLN/ SLRN is a durable, liquid tight, easy to assemble strain relief cable gland with NPT threads that is universally suited for all types of machinery & equipment, including automation, motion control, process control and robotics.

### Application Advantage:

- The heavy duty SKINTOP® design provides great pullout strength and very reliable strain relief
- Superior integrated locking mechanism includes an internal ratchet for vibration proof protection
- Multi-trapezoidal thread requires just one twist to tighten
- Generous high quality neoprene bushing provides a liquid tight and dust proof, hermetic seal



### Complete the installation with:

Cable O.D. Page 486	EPIC® Connectors: Page 258	SKINTOP® DIX Page 524	Plugs Page 526
---------------------	----------------------------	-----------------------	----------------

### Technical Data:

<b>Materials:</b> Body: Polyamide Bushing: CR	<b>Protection:</b> 70 PSI <b>Seal:</b> IP 68, 5 Bar (Exceeds NEMA 6/ 6P Pressure rating)
<b>Color:</b> - Black (RAL 9005) UV Resistant - Gray (RAL 7001)	<b>Temperature range:</b> -20° C to +80° C

### SKINTOP® SLN: Liquid Tight, Non-Metallic Strain Relief Cable Gland with NPT Threads

Black	Part Number	Gray	Thread Type & Size	UL Status	Clamping Range ØF inches	SW Wrenching Flats inches	C Overall Length inches	D Thread Length inches	Standard Pack Size	Weight 100 pcs. lbs.
	S2138	S1138	NPT-3/8"	R	.138 - 0.315	0.748	1.693	.591	100	2.00
	S2112	S1112	NPT-1/2"	L	.197 - 0.472	0.945	1.772	.591	100	2.50
	S2134	S1134	NPT-3/4"	L	.512 - 0.709	1.299	2.087	.591	50	5.50
	S2101	S1101	NPT-1"	L	.748 - 1.000	1.654	2.362	.591	25	9.00

### SKINTOP® SLRN: Liquid Tight, Non-Metallic Strain Relief Cable Gland with Reducer Bushing

Black	Part Number	Gray	Thread Type & Size	UL Status	Clamping Range ØF inches	SW Wrenching Flats inches	C Overall Length inches	D Thread Length inches	Standard Pack Size	Weight 100 pcs. lbs.
	S2238	S1238	NPT-3/8"	R	.079 - .236	0.748	1.693	.591	100	2.00
	S2212	S1212	NPT-1/2"	L	.157 - .354	0.945	1.772	.591	100	2.50
	S2234	S1234	NPT-3/4"	L	.354 - .630	1.299	2.087	.591	50	5.50
	S2201	S1201	NPT-1"	L	.551 - .827	1.654	2.362	.591	25	9.00

### NOTES:

1. Locknuts may be ordered separately, refer to Page 498.
2. Orders of 2000 pieces or more per item will be bulk packaged unless otherwise requested.
3. UL Status: R = Recognized; L = Listed