

SKINTOP® SLN/SLRN

Strain Relief with NPT Thread



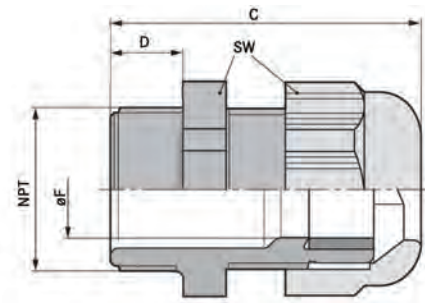
Similar Products

- SKINTOP® FLEX

Complete the Installation

SKINTOP® DIX Bushing: page 29

Plugs: page 550 (Catalog)



SKINTOP® SLN/SLRN is a durable, liquid-tight, easy-to-assemble strain relief cable gland with NPT thread that is universally suited for all types of machinery & equipment, including automation, motion control, process control, and robotics.

Application Advantage

- The heavy duty SKINTOP® design provides great pullout strength and very reliable strain relief
- Superior integrated locking mechanism includes an internal ratchet for vibration-proof protection
- Multi-trapezoidal thread requires just one twist to tighten
- Generous high-quality neoprene bushing provides a liquid-tight and dust-proof hermetic seal

Approvals



Technical Data

Material:		RAL Color:	Black (RAL 9005), UV resistant Gray (RAL 7001)
- Body:	Polyamide		
- Bushing:	CR		
Locknuts:	Not included, add GMP locknuts, page 26	IP Protection:	70 PSI IP68, 5 bar (Exceeds NEMA 6/6P pressure rating)
- Seal:			
Temperature Range:			
- Static:	-40 °C to +80 °C		
- Dynamic:	-20 °C to +80 °C		

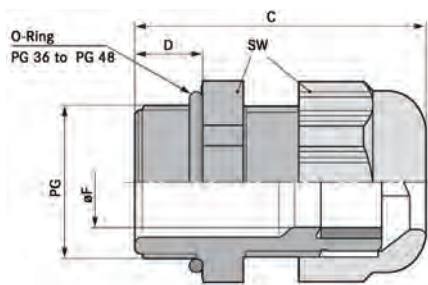
Part Number without Locknut		Thread Type & Size	UL Status	øF Clamping Range		SW Wrenching Flats (inches)	C Overall Length (inches)	D Thread Length (inches)	Standard Pack Size
Black	Gray			(inches)	(mm)				
SKINTOP® SLN: Standard									
S2138	S1138	NPT 3/8"	Recognized	0.138 - 0.315	3.5 - 8.0	0.748	1.693	0.591	100
S2112	S1112	NPT 1/2"	Listed	0.197 - 0.472	5.0 - 12.0	0.945	1.772	0.591	100
S2134	S1134	NPT 3/4"	Listed	0.512 - 0.709	13.0 - 18.0	1.299	2.087	0.591	50
S2101	S1101	NPT 1"	Listed	0.748 - 1.000	19.0 - 25.4	1.654	2.362	0.591	25
SKINTOP® SLRN: Reducer Bushing									
S2238	S1238	NPT 3/8"	Recognized	0.079 - 0.236	2.0 - 6.0	0.748	1.693	0.591	100
S2212	S1212	NPT 1/2"	Listed	0.157 - 0.354	4.0 - 9.0	0.945	1.772	0.591	100
S2234	S1234	NPT 3/4"	Listed	0.354 - 0.630	9.0 - 16.0	1.299	2.087	0.591	50
S2201	S1201	NPT 1"	Listed	0.551 - 0.827	14.0 - 21.0	1.654	2.362	0.591	25

Orders of 2000 pieces or more per item will be bulk packaged unless otherwise requested.

Photographs are not to scale and are not true representations of the products in question. For current information go to our website. If not otherwise specified, all values relating to the product are nominal values.

SKINTOP® SL/SLR

Strain Relief with PG Thread



Similar Products

- SKINTOP® FLEX

Complete the Installation



SKINTOP® DIX
Bushing:
page 30



Plugs:
page 550
(Catalog)



SKINTOP® SL/SLR is a durable, liquid-tight, easy-to-assemble strain relief cable gland with PG thread that is universally suited for all types of machinery & equipment, including automation, motion control, process control and robotics.

Approvals*



Application Advantage

- The heavy duty SKINTOP® design provides great pullout strength and very reliable strain relief
- Superior integrated locking mechanism includes an internal ratchet for vibration-proof protection
- Multi-trapezoidal thread requires just one twist to tighten
- Generous high-quality neoprene bushing provides a liquid-tight and dust-proof hermetic seal

Technical Data

Material:	- Body: Polyamide - Bushing: CR	RAL Color:	Black (RAL 9005), UV resistant Gray (RAL 7001)
Locknuts:	Included for 'S' part numbers	IP Protection:	70 PSI - Seal: IP68, 5 bar (Exceeds NEMA 6/6P pressure rating)
Temperature Range:	- Static: -40°C to +80°C - Dynamic: -20°C to +80°C		

Part Number with Locknut	Part Number without Locknut*		Thread Type & Size	UL Status	øF Clamping Range		SW Wrenching Flats (inches)	C Overall Length (inches)	D Thread Length (inches)	Standard Pack Size	
	Black	Gray			(inches)	(mm)					
SKINTOP® SL: Standard											
S2107	S1107	53015200	53015000	PG 7	Recognized	0.098 - 0.256	2.5 - 6.5	0.591	1.260	0.315	100
S2109	S1109	53015210	53015010	PG 9	Recognized	0.138 - 0.315	3.5 - 8.0	0.748	1.417	0.315	100
S2111	S1111	53015220	53015020	PG 11	Recognized	0.157 - 0.394	4.0 - 10.0	0.866	1.496	0.315	100
S2113	S1113	53015230	53015030	PG 13	Listed	0.236 - 0.472	6.0 - 12.0	0.945	1.614	0.354	100
S2116	S1116	53015240	53015040	PG 16	Listed	0.354 - 0.551	9.0 - 14.0	1.063	1.732	0.394	50
S2121	S1121	53015250	53015050	PG 21	Listed	0.512 - 0.709	13.0 - 18.0	1.299	1.929	0.433	50
S2129	S1129	53015260	53015060	PG 29	Recognized	0.551 - 0.984	14.0 - 25.0	1.654	2.205	0.433	25
S2136	S1136	53015270	53015070	PG 36	Listed	0.945 - 1.260	24.0 - 32.0	2.087	2.598	0.512	10
S2142	S1142	53015280	53015080	PG 42	Recognized	1.378 - 1.496	35.0 - 38.0	2.362	2.677	0.512	5
S2148	S1148	53015290	53015090	PG 48	Listed	1.535 - 1.732	39.0 - 44.0	2.559	2.717	0.551	5
SKINTOP® SLR: Reducer Bushing											
S2207	S1207	53015300	53015100	PG 7	Recognized	0.059 - 0.197	1.5 - 5.0	0.591	1.260	0.315	100
S2209	S1209	53015310	53015110	PG 9	Recognized	0.079 - 0.236	2.0 - 6.0	0.748	1.417	0.315	100
S2211	S1211	53015320	53015120	PG 11	Recognized	0.079 - 0.276	2.0 - 7.0	0.866	1.496	0.315	100
S2213	S1213	53015330	53015130	PG 13	Listed	0.157 - 0.354	4.0 - 9.0	0.945	1.614	0.354	100
S2216	S1216	53015340	53015140	PG 16	Listed	0.236 - 0.472	6.0 - 12.0	1.063	1.732	0.394	50
S2221	S1221	53015350	53015150	PG 21	Listed	0.354 - 0.630	9.0 - 16.0	1.299	1.929	0.433	50
S2229	S1229	53015360	53015160	PG 29	Recognized	0.433 - 0.787	11.0 - 20.0	1.654	2.205	0.433	25
S2236	S1236	53015370	53015170	PG 36	Listed	0.669 - 1.024	17.0 - 26.0	2.087	2.598	0.512	10
S2242	S1242	53015380	53015180	PG 42	Recognized	0.866 - 1.220	22.0 - 31.0	2.362	2.677	0.512	5
S2248	S1248	53015390	53015190	PG 48	Listed	1.024 - 1.378	26.0 - 35.0	2.559	2.717	0.551	5

Orders of 2000 pieces or more per item will be bulk packaged unless otherwise requested.

* If the end-use application consists of inserting the SKINTOP® cable gland through a non-threaded hole, then the use of a locknut is required per UL.

Photographs are not to scale and are not true representations of the products in question.

For current information go to our website. If not otherwise specified, all values relating to the product are nominal values.

SKINTOP® SLM/SLRM

Strain Relief with Metric Thread



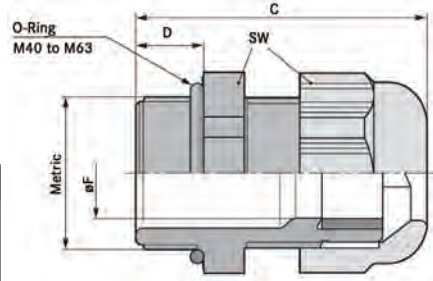
Similar Products

- SKINTOP® FLEX

Complete the Installation

SKINTOP® BRUSH Add-on: pg 547 (Catalog)

Plugs: page 550 (Catalog)



SKINTOP® SLM/SLRM is a durable, liquid-tight, easy-to-assemble strain relief cable gland with metric thread that is universally suited for all types of machinery & equipment, including automation, motion control, process control, and robotics.

Application Advantage

- The heavy duty SKINTOP® design provides great pullout strength and very reliable strain relief
- Superior integrated locking mechanism includes an internal ratchet for vibration-proof protection
- Multi-trapezoidal thread requires just one twist to tighten
- Generous high-quality neoprene bushing provides a liquid-tight and dust-proof hermetic seal

Approvals*



Technical Data

Material:		Color:	Black (RAL 9005), UV resistant Gray (RAL 7001)
- Body:	Polyamide		
- Bushing:	CR		
Locknuts:	Included for 'S' part numbers	IP Protection:	70 PSI IP69K IP68, 5 bar (Exceeds NEMA 6/6P pressure rating)
		- Seal:	
Temperature Range:			
- Static:	-40°C to +100°C		
- Dynamic:	-20°C to +100°C		

Part Number with Locknut		Part Number without Locknut*		Thread Type & Size	UL Status	øF Clamping Range		SW Wrenching Flats (inches)	C Overall Length (inches)	D Thread Length (inches)	Standard Pack Size
Black	Gray	Black	Gray			(inches)	(mm)				
SKINTOP® SLM: Standard											
S2507	S1507	53111200	53111000	M12 x 1.5	Recognized	0.138 - 0.276	3.5 - 7.0	0.591	1.181	0.315	100
S2509	S1509	53111210	53111010	M16 x 1.5†	Recognized	0.177 - 0.394	4.5 - 10.0	0.748	1.339	0.315	100
S2513	S1513	53111220	53111020	M20 x 1.5†	Listed	0.276 - 0.512	7.0 - 13.0	0.984	1.457	0.354	100
S2516	S1516	53111230	53111030	M25 x 1.5†	Listed	0.354 - 0.669	9.0 - 17.0	1.181	1.575	0.394	50
S2521	S1521	53111240	53111040	M32 x 1.5	Listed	0.433 - 0.827	11.0 - 21.0	1.417	1.850	0.394	25
S2529	S1529	53111250	53111050	M40 x 1.5	Listed	0.748 - 1.102	19.0 - 28.0	1.811	2.047	0.394	10
S2536	S1536	53111260	53111060	M50 x 1.5	Listed	1.063 - 1.378	27.0 - 35.0	2.165	2.441	0.472	5
S2542	S1542	53111270	53111070	M63 x 1.5	Listed	1.339 - 1.772	34.0 - 45.0	2.598	2.795	0.472	5
SKINTOP® SLRM: Reducer Bushing											
S2607	S1607	53111300	53111100	M12 x 1.5	Recognized	0.039 - 0.197	1.0 - 5.0	0.591	1.181	0.315	100
S2609	S1609	53111310	53111110	M16 x 1.5†	Recognized	0.079 - 0.276	2.0 - 7.0	0.748	1.339	0.315	100
S2613	S1613	53111320	53111120	M20 x 1.5†	Listed	0.197 - 0.394	5.0 - 10.0	0.984	1.457	0.354	100
S2616	S1616	53111330	53111130	M25 x 1.5†	Listed	0.236 - 0.512	6.0 - 13.0	1.181	1.575	0.394	50
S2621	S1621	53111340	53111140	M32 x 1.5	Listed	0.276 - 0.591	7.0 - 15.0	1.417	1.850	0.394	25
S2629	S1629	53111350	53111150	M40 x 1.5	Listed	0.591 - 0.906	15.0 - 23.0	1.811	2.047	0.394	10
S2636	S1636	53111360	53111160	M50 x 1.5	Listed	0.866 - 1.142	22.0 - 29.0	2.165	2.441	0.472	5
S2642	S1642	53111370	53111170	M63 x 1.5	Listed	1.102 - 1.535	28.0 - 39.0	2.598	2.795	0.472	5

Orders of 2000 pieces or more per item will be bulk packaged unless otherwise requested.

* If the end-use application consists of inserting the SKINTOP® cable gland through a non-threaded hole, then the use of a locknut is required per UL.

† Metric sizes M16, M20, and M25 also available in an extended thread version. To maintain UL rating, please use a locknut.

Photographs are not to scale and are not true representations of the products in question.

For current information go to our website. If not otherwise specified, all values relating to the product are nominal values.