



LED-8024E/M 45W Post Top Retrofit

Models

LED-8024E/MXX-A, 120-277VAC, cULus, 3000K, 4000K & 5700K CCT
LED-8024E/MXXC-A, 347VAC, cUL, 3000K, 4000K or 5700K CCT

Mogul Base Models Only
 (See details below)

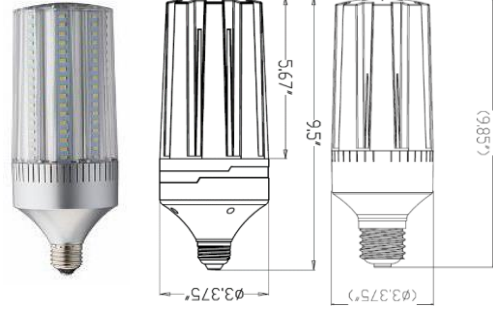


Description

Light Efficient Design's Post Top/Bollard retrofits replace HID lamps up to 250W HID. Advanced Active Cooling technology improves thermal performance and delivers the highest light output along with longer LED and driver life versus lamps limited to passive cooling. All models are tested by UL under 1598C that insures that retrofitted fixture retains safety certification as well as approved by UL for enclosed fixtures.

Features

- 45W LED Replaces 250W MH or HPS HID Lamps
- Up to 6,900 lumen output and 150 LPW efficacy
- Available in either E26 Edison or E39 Mogul screw base
- UL approved for damp environments and enclosed fixtures
- Advanced active cooling: Active cooling and dynamic temperature control
- Integrated 6kA surge
- 50,000 hour rated LED life (supported by LM80 and ISTMT reports (see website))
- 5 Year Limited Warranty - see website for details
- Insect/dust resistant housing



TECHNICAL SPECIFICATIONS - USA 120-277V - ALL MODELS cULus

MODEL	VOLTAGE	WATTAGE	LUMENS*	LPW*	REPLACES	BASE	CCT	CRI*	THD*	PF*	R9*	Duv*	LIGHT DISTRIBUTION	DIMMABLE
LED-8024E30-A	120-277V	45W	6062	130	Up to 250W HID	E26 Edison	3000K	85.4	19.79	0.9364	21	-0.0024	Omni-directional / 360°	No
LED-8024E40-A			4000K	85.1			10.06	0.963	21	-0.0015				
LED-8024E57-A			5700K	84			10.49	0.9898	19	0.0016				
LED-8024M30-A			E39 Mogul	3000K		84.1	13.1	0.9903	16	-0.003				
LED-8024M40-A				4000K		84.7	9.02	0.9684	14	0.0002				
LED-8024M57-A				5700K		84.5	11.97	0.9598	15	-0.0014				

TECHNICAL SPECIFICATIONS - CANADA 347V - ALL MODELS CuI

MODEL	VOLTAGE	WATTAGE	LUMENS*	LPW*	REPLACES	BASE	CCT	CRI*	THD*	PF*	R9*	Duv*	LIGHT DISTRIBUTION	DIMMABLE
LED-8024E30C-A	347V	45W	5879	132	Up to 250W HID	E26 Edison	3000K	85.5	19.6	0.9473	22	-0.0031	Omni-directional / 360°	No
LED-8024E40C-A			4000K	84.6			12.88	0.9553	14	-0.0008				
LED-8024E57C-A			5700K	85.2			16.05	0.9524	17	-0.0005				
LED-8024M30C-A			E39 Mogul	3000K		86.4	12.94	0.9474	25	-0.002				
LED-8024M40C-A				4000K		84.4	19.2	0.9512	13	0.0004				
LED-8024M57C-A				5700K		85	18.52	0.954	19	-0.0047				

PACKAGING SPECIFICATIONS

MODEL	PRODUCT DIMENSION	PRODUCT WEIGHT	UNIT CARTON DIMENSION	UNIT CTN WT	SHIPPER CARTON DIMENSION	SHIPPER CTN WT	CARTON QUANTITY
LED-8024E	9.6" X 3.3"	1.23 Lbs	4.9 X 4.9 X 11.5 in.	1.45 lbs.	15.6 X 15.6 X 12 in.	13.7 Lbs	9
LED-8024M	9.75" X 3.3"	1.23 Lbs	4.9 X 4.9 X 11.5 in.	1.45 lbs.	15.6 X 15.6 X 12 in.	13.9 Lbs	9

UPC / UCC

DESIGN LIGHTS CONSORTIUM QPL CERTIFICATION SUMMARY (E39 MODELS ONLY)

MODEL	PRODUCT UPC	CARTON UCC	QPL CATEGORY 1	PRODUCT CODE	FAMILY CODE	QPL CATEGORY 2	PRODUCT CODE	FAMILY CODE
LED-8024E30-A	8440060 8034 1	10 8440060 8034 8	N/A	N/A	N/A	N/A	N/A	N/A
LED-8024E40-A	8440060 8067 9	10 8440060 8067 6	N/A	N/A	N/A	N/A	N/A	N/A
LED-8024E57-A	8440060 8024 2	10 8440060 8024 9	N/A	N/A	N/A	N/A	N/A	N/A
LED-8024M30-A	8440060 8054 9	10 8440060 8054 6	Replacement Lamps for Outdoor Pole/Arm-mounted Decorative Luminaires (Type B)	P28JSP3	PPPRIQ	N/A	N/A	N/A
LED-8024M40-A	8440060 8016 7	10 8440060 8016 4	Replacement Lamps for Outdoor Pole/Arm-mounted Decorative Luminaires (Type B)	P28JSP3	PPPRIQ	N/A	N/A	N/A
LED-8024M57-A	8440060 8053 2	10 8440060 8053 9	Replacement Lamps for Outdoor Pole/Arm-mounted Decorative Luminaires (Type B)	P28JSP3	PPPRIQ	N/A	N/A	N/A
LED-8024E30C-A	8440060 8077 8	10 8440060 8077 5	N/A	N/A	N/A	N/A	N/A	N/A
LED-8024E40C-A	8440060 8078 5	10 8440060 8078 2	N/A	N/A	N/A	N/A	N/A	N/A
LED-8024E57C-A	8440060 8079 2	10 8440060 8079 9	N/A	N/A	N/A	N/A	N/A	N/A
LED-8024M30C-A	8440060 8080 8	10 8440060 8080 5	Replacement Lamps for Outdoor Pole/Arm-mounted Decorative Luminaires (Type B)	PTUHGDC	PPPRIO	N/A	N/A	N/A
LED-8024M40C-A	8440060 8081 5	10 8440060 8081 2	Replacement Lamps for Outdoor Pole/Arm-mounted Decorative Luminaires (Type B)	PTUHGDC	PPPRIO	N/A	N/A	N/A
LED-8024M57C-A	8440060 8082 2	10 8440060 8082 9	Replacement Lamps for Outdoor Pole/Arm-mounted Decorative Luminaires (Type B)	PTUHGDC	PPPRIO	N/A	N/A	N/A

ENERGY SAVING vs. HID

ZONAL LUMENS/ LUX DISTANCE DATA (see LM79 for more information)

Mounting Orientation

LED Lamp Power (watts)	45	<table border="1"> <thead> <tr> <th colspan="3">Zonal Lumen Summary</th> <th colspan="6">Lumens Per Zone</th> </tr> <tr> <th>Zone</th> <th>Lumens</th> <th>% Luminaire</th> <th>Zone</th> <th>Lumens</th> <th>% Total</th> <th>Zone</th> <th>Lumens</th> <th>% Total</th> </tr> </thead> <tbody> <tr> <td>0-30</td> <td>287.9</td> <td>4.2%</td> <td>0-10</td> <td>21.3</td> <td>0.3%</td> <td>90-100</td> <td>746.4</td> <td>10.8%</td> </tr> <tr> <td>0-40</td> <td>601.2</td> <td>8.7%</td> <td>10-20</td> <td>82.2</td> <td>1.2%</td> <td>100-110</td> <td>694.7</td> <td>10%</td> </tr> <tr> <td>0-60</td> <td>1,619.1</td> <td>23.4%</td> <td>20-30</td> <td>184.3</td> <td>2.7%</td> <td>110-120</td> <td>600.9</td> <td>8.7%</td> </tr> <tr> <td>60-90</td> <td>2,148.9</td> <td>31.1%</td> <td>30-40</td> <td>313.3</td> <td>4.5%</td> <td>120-130</td> <td>472.3</td> <td>6.8%</td> </tr> <tr> <td>70-100</td> <td>2,228.3</td> <td>32.2%</td> <td>40-50</td> <td>447.0</td> <td>6.5%</td> <td>130-140</td> <td>334.2</td> <td>4.8%</td> </tr> <tr> <td>90-120</td> <td>2,042.0</td> <td>29.5%</td> <td>50-60</td> <td>570.9</td> <td>8.3%</td> <td>140-150</td> <td>196.5</td> <td>2.8%</td> </tr> <tr> <td>0-90</td> <td>3,768.0</td> <td>54.5%</td> <td>60-70</td> <td>667.0</td> <td>9.6%</td> <td>150-160</td> <td>82.0</td> <td>1.2%</td> </tr> <tr> <td>90-180</td> <td>3,145.8</td> <td>45.5%</td> <td>70-80</td> <td>727.9</td> <td>10.5%</td> <td>160-170</td> <td>17.9</td> <td>0.3%</td> </tr> <tr> <td>0-180</td> <td>6,913.9</td> <td>100%</td> <td>80-90</td> <td>754.1</td> <td>10.9%</td> <td>170-180</td> <td>1.0</td> <td>0%</td> </tr> </tbody> </table>	Zonal Lumen Summary			Lumens Per Zone						Zone	Lumens	% Luminaire	Zone	Lumens	% Total	Zone	Lumens	% Total	0-30	287.9	4.2%	0-10	21.3	0.3%	90-100	746.4	10.8%	0-40	601.2	8.7%	10-20	82.2	1.2%	100-110	694.7	10%	0-60	1,619.1	23.4%	20-30	184.3	2.7%	110-120	600.9	8.7%	60-90	2,148.9	31.1%	30-40	313.3	4.5%	120-130	472.3	6.8%	70-100	2,228.3	32.2%	40-50	447.0	6.5%	130-140	334.2	4.8%	90-120	2,042.0	29.5%	50-60	570.9	8.3%	140-150	196.5	2.8%	0-90	3,768.0	54.5%	60-70	667.0	9.6%	150-160	82.0	1.2%	90-180	3,145.8	45.5%	70-80	727.9	10.5%	160-170	17.9	0.3%	0-180	6,913.9	100%	80-90	754.1	10.9%	170-180	1.0	0%	<table border="1"> <thead> <tr> <th>BASE DOWN</th> <th>BASE UP</th> <th>HORIZONTAL</th> </tr> </thead> <tbody> <tr> <td></td> <td></td> <td></td> </tr> <tr> <td>APPROVED</td> <td>APPROVED</td> <td>APPROVED</td> </tr> <tr> <td>Recommended Minimum Fixture Size</td> <td colspan="2">THERMAL SPECIFICATIONS</td> </tr> <tr> <td></td> <td>OPERATING TEMPERATURE</td> <td>-40°F to +122°F</td> </tr> <tr> <td>Width</td> <td>7.4</td> <td>IN-SITU TEMP MEASUREMENT/L70</td> </tr> <tr> <td>Height</td> <td>11.9</td> <td>LED TEMPERATURE*</td> <td>64.2</td> </tr> <tr> <td>Volume (Cu. In.)</td> <td>651.644</td> <td>L70 LED LUMEN MAINTENANCE*</td> <td>>60,000</td> </tr> <tr> <td></td> <td></td> <td colspan="2">* FROM ISTMT REPORT AT 77°F</td> </tr> </tbody> </table>	BASE DOWN	BASE UP	HORIZONTAL				APPROVED	APPROVED	APPROVED	Recommended Minimum Fixture Size	THERMAL SPECIFICATIONS			OPERATING TEMPERATURE	-40°F to +122°F	Width	7.4	IN-SITU TEMP MEASUREMENT/L70	Height	11.9	LED TEMPERATURE*	64.2	Volume (Cu. In.)	651.644	L70 LED LUMEN MAINTENANCE*	>60,000			* FROM ISTMT REPORT AT 77°F	
Zonal Lumen Summary			Lumens Per Zone																																																																																																																																	
Zone	Lumens		% Luminaire	Zone	Lumens	% Total	Zone	Lumens	% Total																																																																																																																											
0-30	287.9		4.2%	0-10	21.3	0.3%	90-100	746.4	10.8%																																																																																																																											
0-40	601.2		8.7%	10-20	82.2	1.2%	100-110	694.7	10%																																																																																																																											
0-60	1,619.1		23.4%	20-30	184.3	2.7%	110-120	600.9	8.7%																																																																																																																											
60-90	2,148.9		31.1%	30-40	313.3	4.5%	120-130	472.3	6.8%																																																																																																																											
70-100	2,228.3		32.2%	40-50	447.0	6.5%	130-140	334.2	4.8%																																																																																																																											
90-120	2,042.0		29.5%	50-60	570.9	8.3%	140-150	196.5	2.8%																																																																																																																											
0-90	3,768.0		54.5%	60-70	667.0	9.6%	150-160	82.0	1.2%																																																																																																																											
90-180	3,145.8	45.5%	70-80	727.9	10.5%	160-170	17.9	0.3%																																																																																																																												
0-180	6,913.9	100%	80-90	754.1	10.9%	170-180	1.0	0%																																																																																																																												
BASE DOWN	BASE UP	HORIZONTAL																																																																																																																																		
APPROVED	APPROVED	APPROVED																																																																																																																																		
Recommended Minimum Fixture Size	THERMAL SPECIFICATIONS																																																																																																																																			
	OPERATING TEMPERATURE	-40°F to +122°F																																																																																																																																		
Width	7.4	IN-SITU TEMP MEASUREMENT/L70																																																																																																																																		
Height	11.9	LED TEMPERATURE*	64.2																																																																																																																																	
Volume (Cu. In.)	651.644	L70 LED LUMEN MAINTENANCE*	>60,000																																																																																																																																	
		* FROM ISTMT REPORT AT 77°F																																																																																																																																		
HID Lamp Power (watts)	250																																																																																																																																			
HID Ballast Power (watts)	37.5																																																																																																																																			
Total power Savings (watts)	242.5																																																																																																																																			
Annual Energy Savings	\$ 136																																																																																																																																			
Lifetime Energy Savings over 50,000 hrs	\$ 1,334																																																																																																																																			