

# Pro

## ProConnect 80/86/96/wd



### FEATURES

- Watertight ANSI NEMA type receptacle.
- Accepts standard ANSI NEMA type plugs.
- Mating plugs with integral threaded ring maintain a watertight seal.
- Available in seven different voltage configurations.
- Captive threaded receptacle cap.
- Receptacle cover fits "FS" style boxes.
- In-line cord connector available.

### APPLICATIONS

- Watertight requirements
- Oil Drilling rigs
- Gravel pits and quarries
- Construction sites
- General industrial plant wiring
- Instrumentation connection boxes
- Open pit mining

### APPROVALS

- Type 3
- Type 4
- ABS

### STANDARDS

- UL 498 - Attachment Plugs & Receptacles
- UL 514 - Fittings for Conduit and Outlet Boxes
- UL 1682 - Plugs, Receptacles & Cable Connectors
- C22.2 No. 42
- C22.2 No. 182.1/2/3

### TECHNICAL SPECIFICATIONS

#### COVER/CAP/RING

Die-cast aluminum.

#### HARDWARE

Stainless steel.

#### VOLTAGE

125 Volt 15 Amp ANSI NEMA 5-15  
250 Volt 15 Amp ANSI NEMA 6-15  
125 Volt 20 Amp ANSI NEMA 5-20  
250 Volt 20 Amp ANSI NEMA 6-20  
120 Volt 15 Amp ANSI NEMA L5-15  
250 Volt 15 Amp ANSI NEMA L6-15  
277 Volt 15 Amp ANSI NEMA L7-15

# ProConnect 96/wd

Watertight Receptacle for FS Box Mounting - Type 4

## ORDERING REFERENCES

PART NUMBER	DESCRIPTION
NRL 96-1	125 Volt 15 Amp (5-15R)
NRL 96-2	250 Volt 15 Amp (6-15R)
NRL 96-3	125 Volt 20 Amp (5-20R)
NRL 96-4	250 Volt 20 Amp (6-20R)
NRL 96-5	120 Volt 15 Amp Locking (L5-15R)
NRL 96-6	250 Volt 15 Amp Locking (L6-15R)
NRL 96-7	277 Volt 15 Amp Locking (L7-15R)

## CARTON SPECIFICATIONS

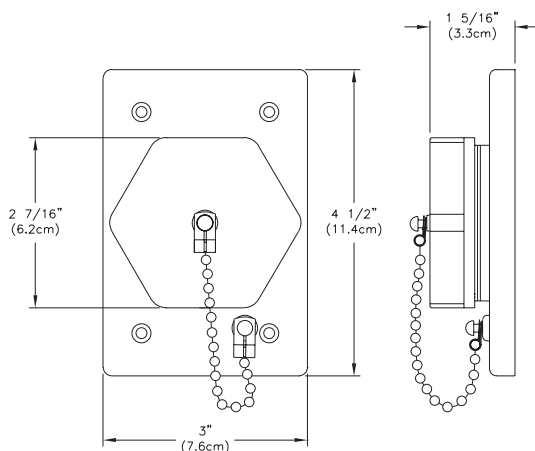
Quantity Per Carton	Weight Per Carton Lbs (Kg)	Size of Carton FT <sup>3</sup> (M <sup>3</sup> )
10	7.7 (3.5)	0.4 (0.012)

## SPARE PARTS

Part No.	Description	Weight	
		Lbs	Kg
NRL9604	Cast housing	0.26	0.12
NRL9601	Closed cap assembly	0.24	0.11
NRL9603	Neoprene gasket	0.04	0.02
NRL9611	Receptacle, 125 Volt 15 Amp	0.11	0.05
NRL9621	Receptacle, 250 Volt 15 Amp	0.11	0.05
NRL9631	Receptacle, 125 Volt 20 Amp	0.11	0.05
NRL9641	Receptacle, 250 Volt 20 Amp	0.11	0.05
NRL9651	Receptacle, 120 Volt 15 Amp*	0.11	0.05
NRL9661	Receptacle, 250 Volt 15 Amp*	0.11	0.05
NRL9671	Receptacle, 277 Volt 15 Amp*	0.11	0.05

\*Locking type interiors

## DIMENSIONS



NRL96

# ProConnect 80/wd

Watertight Plug - Type 3 & 4

## ORDERING REFERENCES

PART NUMBER	DESCRIPTION
NRL 80-1	125 Volt 15 Amp (5-15P)
NRL 80-2	250 Volt 15 Amp (6-15P)
NRL 80-3	125 Volt 20 Amp (5-20P)
NRL 80-4	250 Volt 20 Amp (6-20P)
NRL 80-5	120 Volt 15 Amp Locking (L5-15P)
NRL 80-6	250 Volt 15 Amp Locking (L6-15P)
NRL 80-7	277 Volt 15 Amp Locking (L7-15P)

## CARTON SPECIFICATIONS

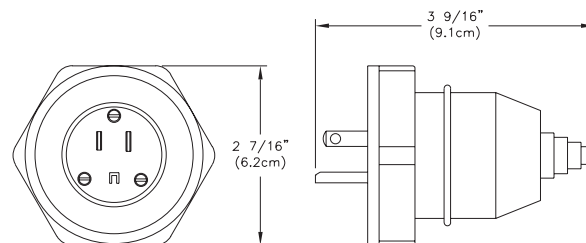
Quantity Per Carton	Weight Per Carton Lbs (Kg)	Size of Carton FT <sup>3</sup> (M <sup>3</sup> )
10	6.7 (3.0)	0.4 (0.012)

## SPARE PARTS

Part No.	Description	Weight	
		Lbs	Kg
NRL8002	Neoprene boot	0.1	0.04
NRL8001	Cast open ring	0.13	0.06
NRL8011	Plug, 125 Volt 15 Amp	0.15	0.07
NRL8021	Plug, 250 Volt 15 Amp	0.15	0.07
NRL8031	Plug, 125 Volt 20 Amp	0.15	0.07
NRL8041	Plug, 250 Volt 20 Amp	0.15	0.07
NRL8051	Plug, 120 Volt 15 Amp*	0.15	0.07
NRL8061	Plug, 250 Volt 15 Amp*	0.15	0.07
NRL8071	Plug, 277 Volt 15 Amp*	0.15	0.07

\*Locking type interiors

## DIMENSIONS



NRL80

# ProConnect 86/wd

Watertight cord connector - Type 3

## ORDERING REFERENCES

PART NUMBER	DESCRIPTION
NRL 86-1	125 Volt 15 Amp (5-15R)
NRL 86-2	250 Volt 15 Amp (6-15R)
NRL 86-3	125 Volt 20 Amp (5-20R)
NRL 86-4	250 Volt 20 Amp (6-20R)
NRL 86-5	120 Volt 15 Amp Locking (L5-15R)
NRL 86-6	250 Volt 15 Amp Locking (L6-15R)
NRL 86-7	277 Volt 15 Amp Locking (L7-15R)

## CARTON SPECIFICATIONS

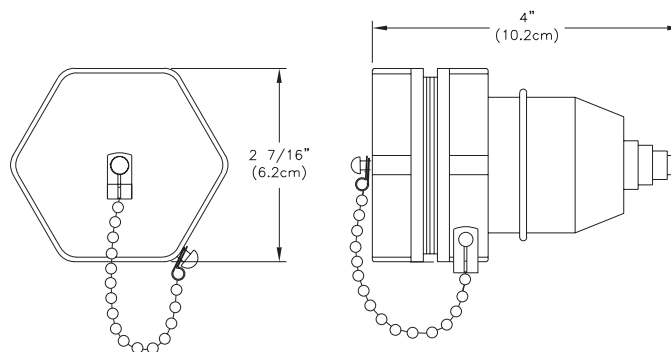
Quantity Per Carton	Weight Per Carton Lbs (Kg)	Size of Carton FT <sup>3</sup> ( M <sup>3</sup> )
10	6.7 (3.0)	0.4 (0.012)

## SPARE PARTS

Part No.	Description	Weight	
		Lbs	Kg
NRL8002	Neoprene boot	0.1	0.04
NRL8601	Cast ring assembly	0.22	0.10
NRL9601	Closed cap assembly	0.24	0.11
NRL8611	Receptacle, 125 Volt 15 Amp	0.18	0.08
NRL8621	Receptacle, 250 Volt 15 Amp	0.18	0.08
NRL8631	Receptacle, 125 Volt 20 Amp	0.18	0.08
NRL8641	Receptacle 250 Volt 20 Amp	0.18	0.08
NRL8651	Receptacle 120 Volt 15 Amp*	0.18	0.08
NRL8661	Receptacle 250 Volt 15 Amp*	0.18	0.08
NRL8671	Receptacle 277 Volt 15 Amp*	0.18	0.08

\*Locking type interiors

## DIMENSIONS



NRL86