



ECS Series

Plastic Pictogram
Exit Sign

new

Type: _____
 Project/Location: _____
 Contractor: _____
 Prepared By: _____
 Date: _____
 Model No.: _____

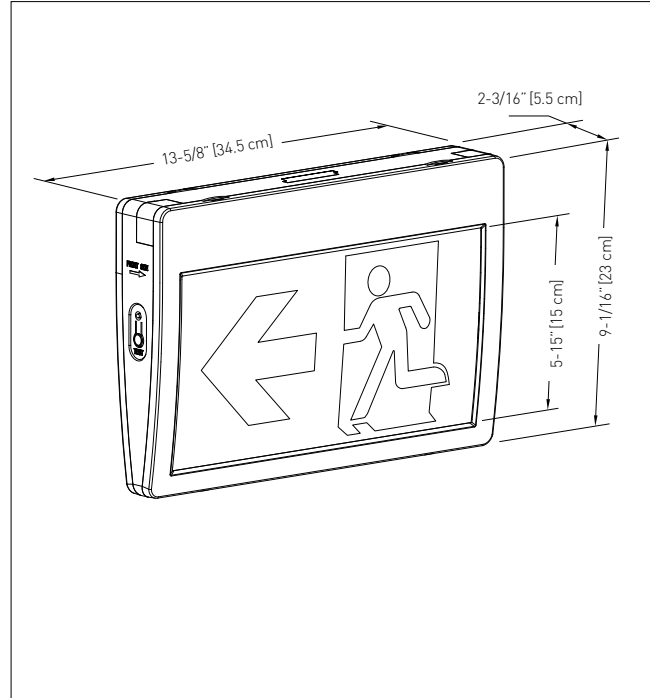
FEATURES

- Energy efficient, long-life white LEDs consuming 4.2W at normal operation
- Dual voltage input capability 120/347VAC
- Selection of AC/DC, 6 to 24VDC or self-powered using a 3.6V Nickel-Cadmium battery
- Automatic, temperature compensated, pulse type charger
- Low voltage disconnect prevents over discharge of battery
- Automatic brownout protection
- Battery lock-out prevents discharge during installation
- Comes standard with three pictogram legends for direction selection
- Red LED charger monitor
- Injection-molded off-white thermoplastic ABS housing
- Fast and easy installation with snap-together design
- Ceiling, wall or end mount installation
- CSA C22.2 no.141-10 listed
- Comes standard with one (1) year warranty



DIMENSIONS

Dimensions are approximate and subject to change.



POWER CONSUMPTION AND UNIT RATING

MODEL	AC SPECS			DC SPECS	
AC/DC-remote	120/347VAC	0.5/0.4 A	4.2/3.6W	6 to 24VDC	Less than 1.5W
Self-powered				Ni-Cd battery	Min. 90 minutes

*NOTE: The ECS Family cannot be combined with other Emergi-Lite® Products on the same emergency A.C. circuit.

ORDERING INFORMATION

SERIES	VOLTAGE
ECS	-U= 120/347VAC, 6 to 24VDC -I= 120/347VAC, self-powered (90 mins)

EXAMPLE: ECS-I