



# A-Shape LED

## 9.5A19/AMB/822-827 DIM 120V

Philips A-shape Dimmable LED lamps are the smart LED alternative to standard incandescents. The unique lamp design provides omi-directional light with excellent dimming performance.

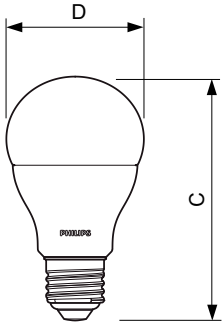
### Product data

General Information		Warm Up Time to 60% Light (Nom)	
Cap-Base	E26 [ Single Contact Medium Screw]		0.5 s
Nominal Lifetime (Nom)	25000 h	Power Factor (Nom)	0.7
Switching Cycle	50000X	Voltage (Nom)	120 V
Technical Type	9.5-60W		
Light Technical		Temperature	
Color Code	822-827 [ tunable warm white]	T-Case Maximum (Nom)	95 °C
Luminous Flux (Nom)	800 lm		
Luminous Flux (Rated) (Nom)	800 lm	Controls and Dimming	
Color Designation	Warm Glow(WG)	Dimmable	Yes
Correlated Color Temperature (Nom)	2200-2700 K		
Luminous Efficacy (Rated) (Nom)	84.21 lm/W	Mechanical and Housing	
Color Consistency	ANSI	Bulb Finish	Frosted
Color Rendering Index (Nom)	80		
LLMF At End Of Nominal Lifetime (Nom)	70 %	Approval and Application	
		Suitable For Accent Lighting	Yes
Operating and Electrical		Product Data	
Input Frequency	60 Hz	Order product name	9.5A19/AMB/822-827 DIM 120V
Power (Rated) (Nom)	9.5 W	EAN/UPC - Product	046677455828
Lamp Current (Nom)	105 mA	Order code	929001184004
Wattage Equivalent	60 W	Numerator - Quantity Per Pack	1
Starting Time (Nom)	0.5 s	Numerator - Packs per outer box	6
		Material Nr. (12NC)	929001184004

# A-Shape LED

Net Weight (Piece) 0.084 kg

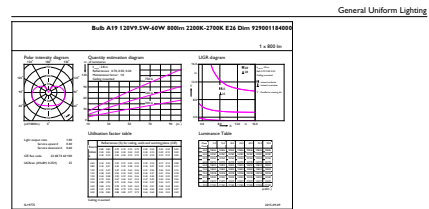
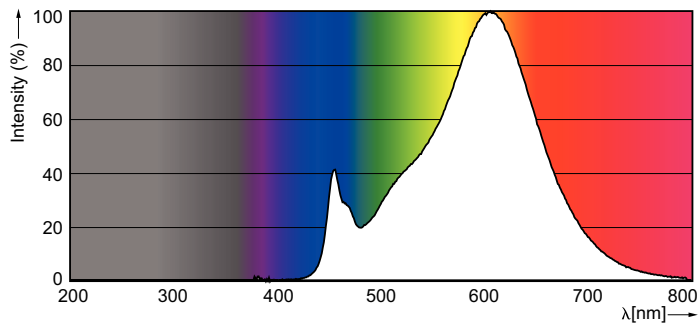
## Dimensional drawing



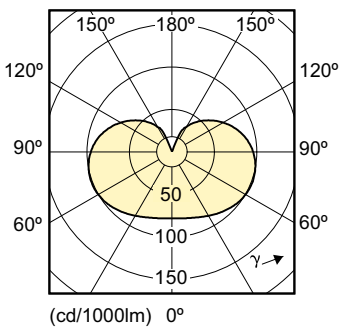
Bulb A19 120V 9.5W-60W 800lm 2700K E26 D

Product	D	C
9.5A19/AMB/822-827 DIM 120V	61.4 mm	109.8 mm

## Photometric data



CalcLab Photonics 4.3 Philips Lighting B.V. Page 1/1



## A-Shape LED

