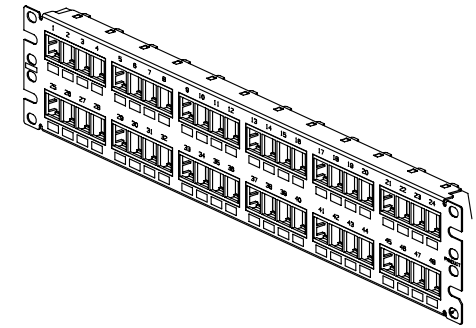
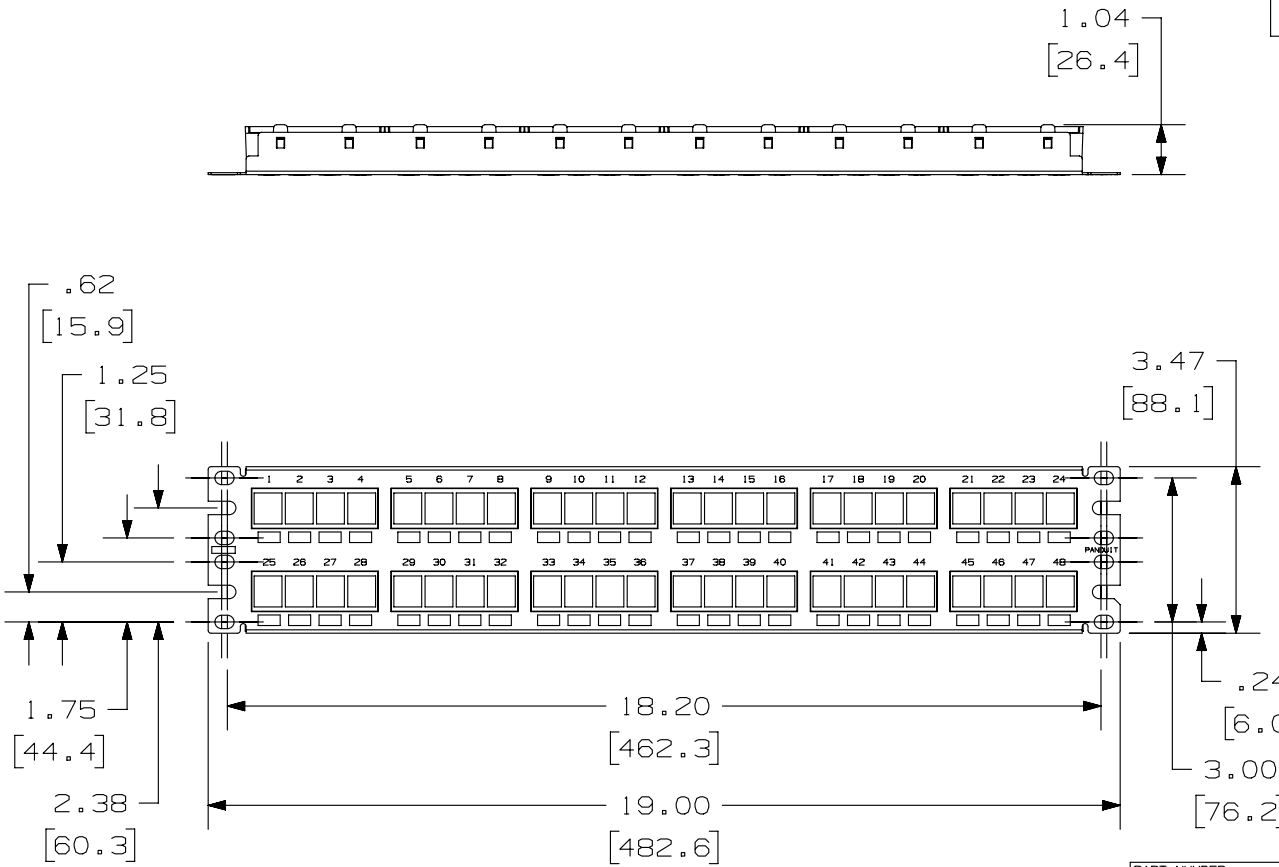


THIS COPY IS PROVIDED ON A RESTRICTED BASIS AND IS NOT TO BE USED IN ANY WAY DETRIMENTAL TO THE INTERESTS OF PANDUIT CORP.

PANDUIT P/N	WEIGHT
NKPP48FMY	11.3 LB/10 PCS (5128.7 g/10 PCS)

NOTES:

- SEE CURRENT CATALOG FOR VARIOUS APPLICATIONS WITH THIS WIRING SYSTEM.
- THE FLUSH MOUNT PATCH PANEL IS DESIGNED FOR MOUNTING TO 19" UNIVERSAL RACKS.
- PACKAGE CONTENTS:  
 (1) -48 PORT STAMPING  
 (6) -8 POSITION FACEPLATE (ASSEMBLED TO PANEL)  
 (1) -SCREW KIT (INCLUDES FOUR #12-24 SCREWS)  
 (1) -SCREW KIT (INCLUDES FOUR M6 SCREWS)
- DIMENSIONS IN [ ] ARE IN METRIC.



PART NUMBER		NKPP48FMY	
TITLE			
NETKEY 48 PORT FLUSH MOUNT MODULAR PATCH PANEL		CUSTOMER DRAWING	
ITEM REVISION NAME		M02479DS/01	
DATASET FILE NAME		M02479DS_DC99/00B	
UNLESS OTHERWISE SPECIFIED, DIMENSIONAL TOLERANCES ARE: IN [ mm ]		MATERIAL:	
.x ± .xxx ± .010 [ .3 ]		PANEL: C.R.S. FACEPLATE: ABS	
.xx ± .03 [ .8 ]		DRAWING NUMBER:	
ANGLES ±		02479-099	
THIRD ANGLE PROJECTION		SHT 1 OF 1	
DRAWN BY	DATE	CHK	SCALE
JSP	4-19-06	MJD	NONE
REV	DATE	BY	CHK
1	5/15/14	JSP	REFR
R	4-19-06	JSP	MJD

REV	DATE	BY	CHK	APR	DESCRIPTION	ECN
1	5/15/14	JSP	REFR	MMR	A. REVISED DRAWING TITLE BLOCK.	02479-099
R	4-19-06	JSP	MJD	MJD	RELEASED TO PRODUCTION	02479-099

D10100DA/14

2

1

2

1