

CO1 Series

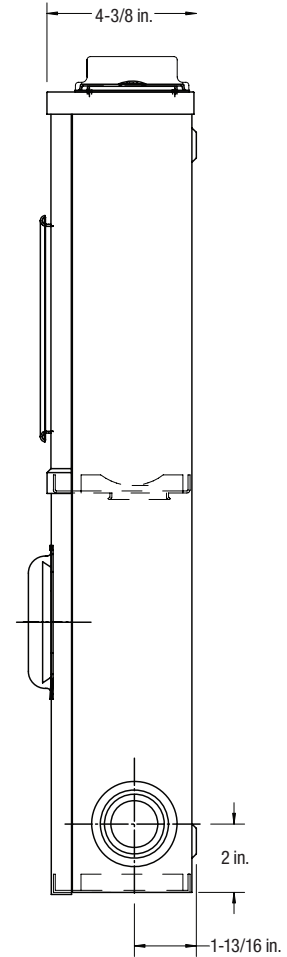
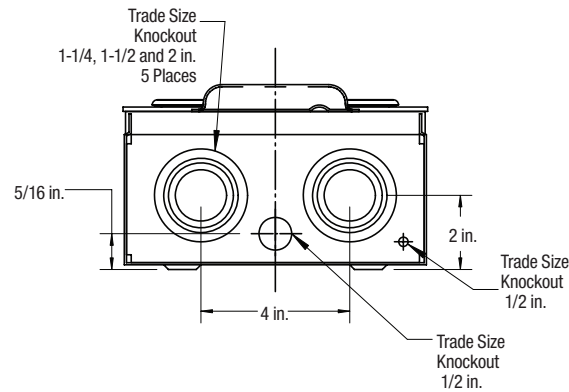
100 A 120/240 V; Combination with or without Breaker

Product Specifications

- Conductor range (Line and Load): 6-1/0 AWG
- Aluminum tunnel type connectors for both load and line sides
- For overhead installation
- For underground installation, gutter option must be ordered (G)
- Suitable for 120/240 V single phase service entrance for mobile homes, trailers, temporary services, recreational parks and other commercial and residential locations
- Bottom compartment has provision for 2 pole circuit breaker (max. 100 A) Siemens (Q), Square D (QO)
- Supplied with screw type rings
- Weatherproof Type 3R enclosure
- **Primarily used in: All provinces**



(CO1)



Cat. No.	Type	Description	Dimensions (in.)			Weight Each	
			H	W	D	lb.	kg
4 JAW							
CO1	Overhead	Provision for Siemens (Q), 100 A 2 pole 10 kA rated circuit breaker	23-1/2	8-1/4	4-3/8	15	6.8
CO1-G	Underground	Provision for Siemens (Q), 100 A 2 pole 10 kA rated circuit breaker, c/w gutter					
CO1-5V	Overhead	Provision for Siemens (Q), 100 A 2 pole 10 kA rated circuit breaker, c/w 5 th jaw					
CO1-60	Overhead	c/w Siemens Q260 60 A 2 pole 10 kA rated circuit breaker					
CO1-70	Overhead	c/w Siemens Q270 70 A 2 pole 10 kA rated circuit breaker					
CO1-100	Overhead	c/w Siemens Q2100 100 A 2 pole 10 kA rated circuit breaker					
CO1-100G	Underground	c/w Siemens Q2100 100 A 2 pole 10 kA rated circuit breaker, c/w gutter					
CO1-100HI	Overhead	c/w Siemens Q2100H 100 A 2 pole 22 kA rated circuit breaker					
CO1-100HI-G	Underground	c/w Siemens Q2100H 100 A 2 pole 22 kA rated circuit breaker, c/w gutter					
CO1-SD	Overhead	Provision for Square D type "QO" 70 A 2 pole 10 kA rated circuit breaker					
CO1-SD-G	Underground	Provision for Square D type "QO" 100 A 2 pole 10 kA rated circuit breaker, c/w gutter					

Note: Some local utilities require a gutter option for underground services. Order with suffix -G.