

**Pushbuttons—Non-Illuminated and Illuminated**



**Contents**

**Description**

**Page**

Pushbuttons—Non-Illuminated and Illuminated	
Non-Illuminated, Flush, Momentary	<b>V7-T1-53</b>
Non-Illuminated, Flush, Maintained	<b>V7-T1-56</b>
Non-Illuminated, Extended, Momentary	<b>V7-T1-58</b>
Non-Illuminated, Extended, Maintained	<b>V7-T1-60</b>
Illuminated, Flush, Momentary	<b>V7-T1-63</b>
Illuminated, Flush, Maintained	<b>V7-T1-66</b>
Illuminated, Extended, Momentary	<b>V7-T1-68</b>
Illuminated, Extended, Maintained	<b>V7-T1-70</b>

**Pushbuttons—Non-Illuminated and Illuminated**

**Product Description**

Eaton’s M22 pushbutton line is a complete, modular and versatile offering. From field-convertible maintained operators to customizable laser engraved buttons, the M22 pushbutton line provides endless opportunity for flexibility and reduced inventory. Each operator type provides options for ordering as complete or component parts allowing for a perfect fit for each application. All of this flexibility comes in a very rugged design.

**Features**

- Field convertible from maintained to momentary (available on maintained pushbuttons only)
- Customizable laser engraving on all buttons
- LED offering only for improved brightness quality and up to 100,000 hours of operation
- More than five million mechanical operations on momentary and 1 million on maintained pushbuttons
- Modular construction makes assembly fast and simplifies stocking of components and complete devices
- Capable of communicating via ASi protocol with ASi adapter modules

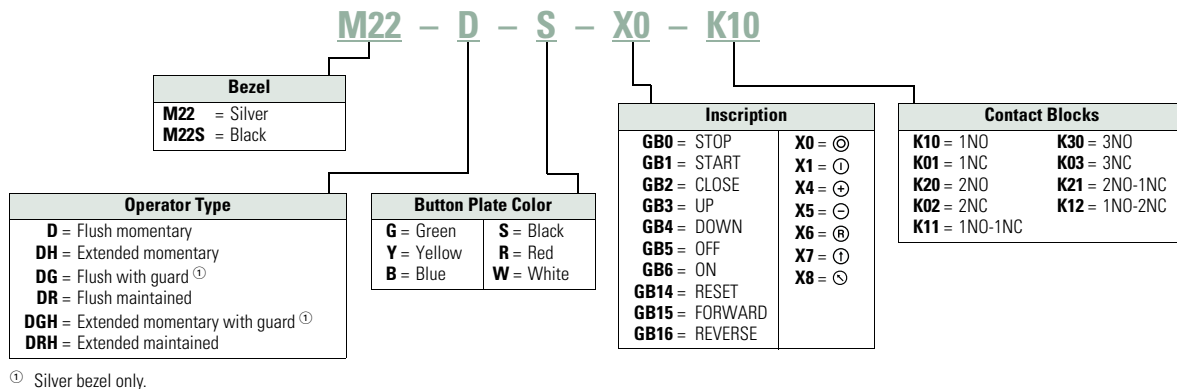
**Protection Type**

- IP67, IP69K
- NEMA 4X, 13

### Catalog Number Selection

Catalog Number Selection is for illustrative purposes only and not to be used to create new catalog numbers.

### Non-Illuminated Pushbuttons



### Product Selection

#### Non-Illuminated Pushbuttons, Flush, Momentary

##### Complete Devices

	Bezel	Button Color	Contact Block Configuration <sup>①</sup>	Catalog Number
	Silver	Black	NO	M22-D-S-K10
			NC	M22-D-S-K01
			2NO	M22-D-S-K20
			2NC	M22-D-S-K02
			1NO-1NC	M22-D-S-K11
			Red	Red
	NC	M22-D-R-K01		
	2NO	M22-D-R-K20		
	2NC	M22-D-R-K02		
	1NO-1NC	M22-D-R-K11		
	Green	Green		
			NC	M22-D-G-K01
2NO			M22-D-G-K20	
2NC			M22-D-G-K02	
1NO-1NC			M22-D-G-K11	
			Black	Black
	NC	M22S-D-S-K01		
	2NO	M22S-D-S-K20		
	2NC	M22S-D-S-K02		
	1NO-1NC	M22S-D-S-K11		
	Red	Red		
			NC	M22S-D-R-K01
			2NO	M22S-D-R-K20
			2NC	M22S-D-R-K02
			1NO-1NC	M22S-D-R-K11
			Green	Green
	NC	M22S-D-G-K01		
2NO	M22S-D-G-K20			
2NC	M22S-D-G-K02			
1NO-1NC	M22S-D-G-K11			

**Note**

<sup>①</sup> All NC contact blocks are positively driven contact. ⊖

## 1

## Non-Illuminated Pushbuttons, Flush, Momentary

Operators Only <sup>①</sup>

	Bezel	Button Color	Inscription	Catalog Number	
<b>M22-D-G</b> 	Silver	Black	—	<b>M22-D-S</b>	
		Red	—	<b>M22-D-R</b>	
			STOP	<b>M22-D-R-GB0</b>	
			⊙	<b>M22-D-R-X0</b>	
		Green	—	<b>M22-D-G</b>	
			START	<b>M22-D-G-GB1</b>	
			⓪	<b>M22-D-G-X1</b>	
			White	—	<b>M22-D-W</b>
			Blue	—	<b>M22-D-B</b>
		Yellow	—	<b>M22-D-Y</b>	
		—	—	<b>M22-D-X-SRG</b> <sup>②</sup>	
		—	—	<b>M22-D-X-SWRGYB</b> <sup>③</sup>	
<b>M22S-D-G</b> 	Black	Black	—	<b>M22S-D-S</b>	
		Red	—	<b>M22S-D-R</b>	
			STOP	<b>M22S-D-R-GB0</b>	
			⊙	<b>M22S-D-R-X0</b>	
		Green	—	<b>M22S-D-G</b>	
			START	<b>M22S-D-G-GB1</b>	
			⓪	<b>M22S-D-G-X1</b>	
			White	—	<b>M22S-D-W</b>
			Blue	—	<b>M22S-D-B</b>
		Yellow	—	<b>M22S-D-Y</b>	
		—	—	<b>M22S-D-X-SRG</b> <sup>②</sup>	
		—	—	<b>M22S-D-X-SWRGYB</b> <sup>③</sup>	
<b>M22-DG-G</b> 	Silver guarded	Black	—	<b>M22-DG-S</b>	
		Red	—	<b>M22-DG-R</b>	
		Green	—	<b>M22-DG-G</b>	
		White	—	<b>M22-DG-W</b>	
		Blue	—	<b>M22-DG-B</b>	
		Yellow	—	<b>M22-DG-Y</b>	
		—	—	<b>M22-DG-X-SRG</b> <sup>②</sup>	
		—	—	<b>M22-DG-X-SWRGYB</b> <sup>③</sup>	

**Notes**

- <sup>①</sup> Includes contact block mounting adapter.  
<sup>②</sup> Buttonless operator comes with three color buttons (black, red, green).  
<sup>③</sup> Buttonless operator comes with all six color buttons (black, white, red, green, yellow, blue).