

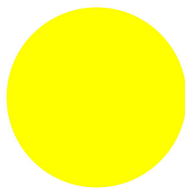


Pushbutton, flush, yellow, momentary

Part no. **M22-D-Y**  
 Catalog No. **216598**  
 Eaton Catalog No. **M22-D-YQ**  
 EL-Nummer **0004355240**  
 (Norway)



### Delivery program

|   |   |  |  |
|---|---|--|--|
| Product range   |   |  | RMQ-Titan  |
| Basic function  |   |  | Pushbutton actuators   |
| Single unit/Complete unit   |   |  | Single unit  |
| Design  |   |  | Flat   |
|   |   |  | momentary  |
| <b>Button plate</b>   |   |  |  |
| button plate  |   |  | yellow   |
| Button plate  |   |  |  |
|   |   |  | Blank  |
| Degree of Protection  |   |  | IP66, IP67, IP69K  |
| Front ring  |   |  | Bezel: titanium  |
| Connection to SmartWire-DT  |   |  | yes<br>with SWD-RMQ connections  |
| <b>Actuator travel and actuation force as per DIN EN 60947-5-1, K.5.4.1</b> |   |  |  |
| Minimum force for positive opening  | N |  | 0  |
| Front dimensions  |   |  | 22 x 22  |

### Technical data

|   |              |                   |  |
|---|--------------|-------------------|--|
| <b>General</b>                            |              |                   |  |
| Standards                                 |              |                   | IEC/EN 60947<br>VDE 0660   |
| Lifespan, mechanical                      | Operations   | x 10 <sup>6</sup> | > 5  |
| Operating frequency                       | Operations/h |                   | ≤ 3600   |
| Actuating force                           |              | n                 | ≤ 5  |
| Climatic proofing                         |              |                   | Damp heat, constant, to IEC 60068-2-78<br>Damp heat, cyclic, to IEC 60068-2-30 |
| Degree of Protection                      |              |                   | IP66, IP67, IP69K  |
| Ambient temperature                       |              |                   |  |
| Open                                      |              | °C                | -25 - +70  |
| Storage                                   |              | °C                | - 40 - + 80  |
| Mounting position                         |              |                   | As required  |
| Mechanical shock resistance               |              | g                 | 30<br>Shock duration 11 ms<br>Sinusoidal<br>according to IEC 60068-2-27        |
| Indoor and protected outdoor installation |              |                   |  |

### Design verification as per IEC/EN 61439

|  |                  |   |   |
|--|------------------|---|---|
| Technical data for design verification                   |                  |   |   |
| Rated operational current for specified heat dissipation | I <sub>n</sub>   | A | 0 |
| Heat dissipation per pole, current-dependent             | P <sub>vid</sub> | W | 0 |
| Equipment heat dissipation, current-dependent            | P <sub>vid</sub> | W | 0 |

|  |                   |    |  |
|--|-------------------|----|--|
| Static heat dissipation, non-current-dependent   | P <sub>vs</sub>   | W  | 0  |
| Heat dissipation capacity  | P <sub>diss</sub> | W  | 0  |
| Operating ambient temperature min.   |                   | °C | -25  |
| Operating ambient temperature max.   |                   | °C | 70   |
| IEC/EN 61439 design verification   |                   |    |  |
| 10.2 Strength of materials and parts   |                   |    |  |
| 10.2.2 Corrosion resistance  |                   |    | Meets the product standard's requirements.   |
| 10.2.3.1 Verification of thermal stability of enclosures   |                   |    | Meets the product standard's requirements.   |
| 10.2.3.2 Verification of resistance of insulating materials to normal heat   |                   |    | Meets the product standard's requirements.   |
| 10.2.3.3 Verification of resistance of insulating materials to abnormal heat and fire due to internal electric effects |                   |    | Meets the product standard's requirements.   |
| 10.2.4 Resistance to ultra-violet (UV) radiation   |                   |    | Please enquire   |
| 10.2.5 Lifting   |                   |    | Does not apply, since the entire switchgear needs to be evaluated.                                       |
| 10.2.6 Mechanical impact   |                   |    | Does not apply, since the entire switchgear needs to be evaluated.                                       |
| 10.2.7 Inscriptions  |                   |    | Meets the product standard's requirements.   |
| 10.3 Degree of protection of ASSEMBLIES  |                   |    | Does not apply, since the entire switchgear needs to be evaluated.                                       |
| 10.4 Clearances and creepage distances   |                   |    | Meets the product standard's requirements.   |
| 10.5 Protection against electric shock   |                   |    | Does not apply, since the entire switchgear needs to be evaluated.                                       |
| 10.6 Incorporation of switching devices and components   |                   |    | Does not apply, since the entire switchgear needs to be evaluated.                                       |
| 10.7 Internal electrical circuits and connections  |                   |    | Is the panel builder's responsibility.   |
| 10.8 Connections for external conductors   |                   |    | Is the panel builder's responsibility.   |
| 10.9 Insulation properties   |                   |    |  |
| 10.9.2 Power-frequency electric strength   |                   |    | Is the panel builder's responsibility.   |
| 10.9.3 Impulse withstand voltage   |                   |    | Is the panel builder's responsibility.   |
| 10.9.4 Testing of enclosures made of insulating material   |                   |    | Is the panel builder's responsibility.   |
| 10.10 Temperature rise   |                   |    | Not applicable.  |
| 10.11 Short-circuit rating   |                   |    | Is the panel builder's responsibility. The specifications for the switchgear must be observed.           |
| 10.12 Electromagnetic compatibility  |                   |    | Is the panel builder's responsibility. The specifications for the switchgear must be observed.           |
| 10.13 Mechanical function  |                   |    | The device meets the requirements, provided the information in the instruction leaflet (IL) is observed. |

## Technical data ETIM 7.0

Low-voltage industrial components (EG000017) / Front element for push button (EC000221)

Electric engineering, automation, process control engineering / Low-voltage switch technology / Command and alarm device / Front element for push-button actuators (ec@ss10.0.1-27-37-12-10 [AKF028014])

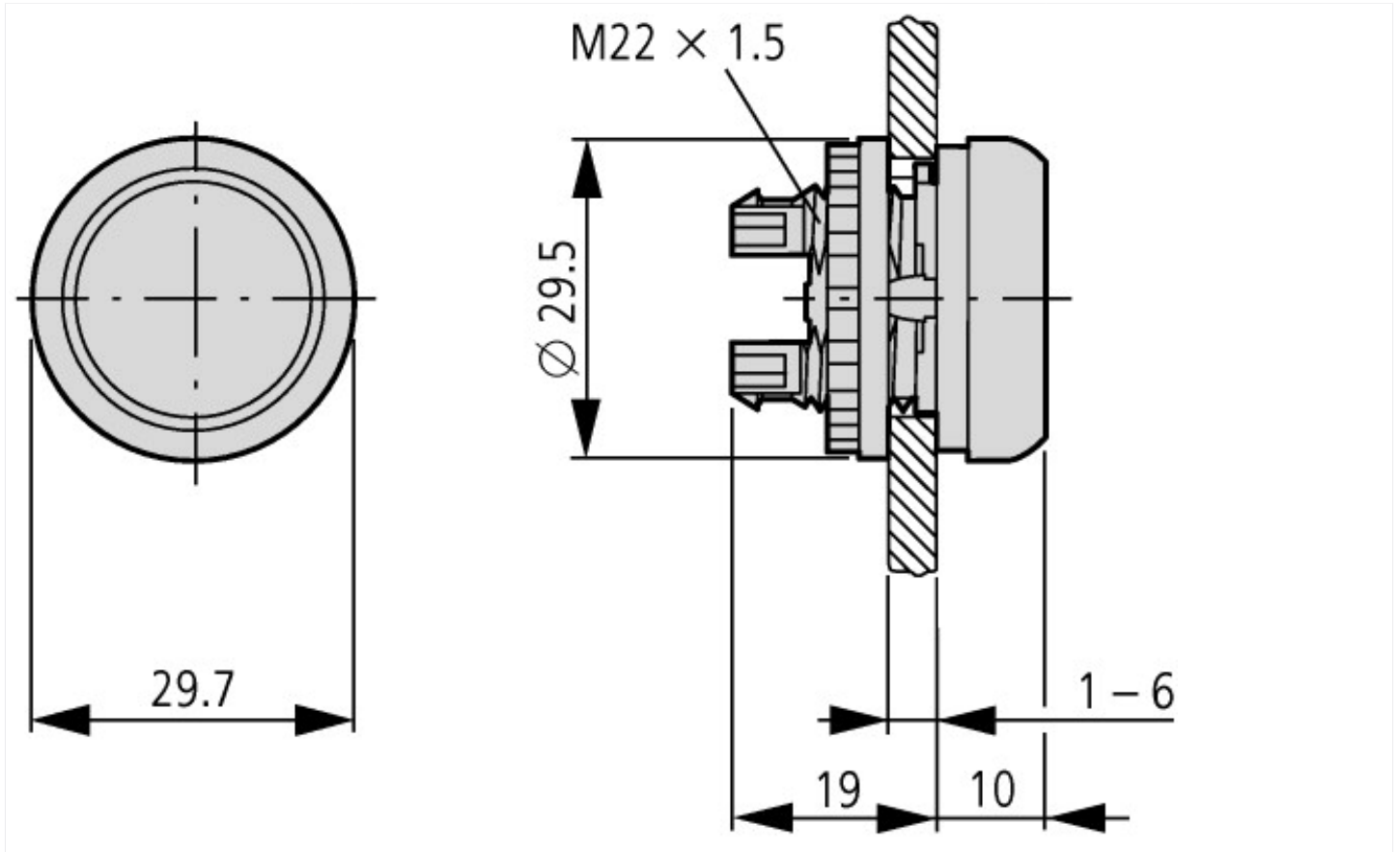
|   |  |    |            |
|---|--|----|------------|
| Colour button                           |  |    | Yellow     |
| Number of command positions             |  |    | 1          |
| Construction type lens                  |  |    | Round      |
| Hole diameter                           |  | mm | 22         |
| Width opening                           |  | mm | 0          |
| Height opening                          |  | mm | 0          |
| Type of button                          |  |    | Flat       |
| Suitable for illumination               |  |    | No         |
| With protective cover                   |  |    | No         |
| Labelled                                |  |    | No         |
| Switching function latching             |  |    | No         |
| Spring-return                           |  |    | Yes        |
| With front ring                         |  |    | Yes        |
| Material front ring                     |  |    | Plastic    |
| Colour front ring                       |  |    | Chrome     |
| Degree of protection (IP), front side   |  |    | IP67/IP69K |
| Degree of protection (NEMA), front side |  |    | 4X         |

## Approvals

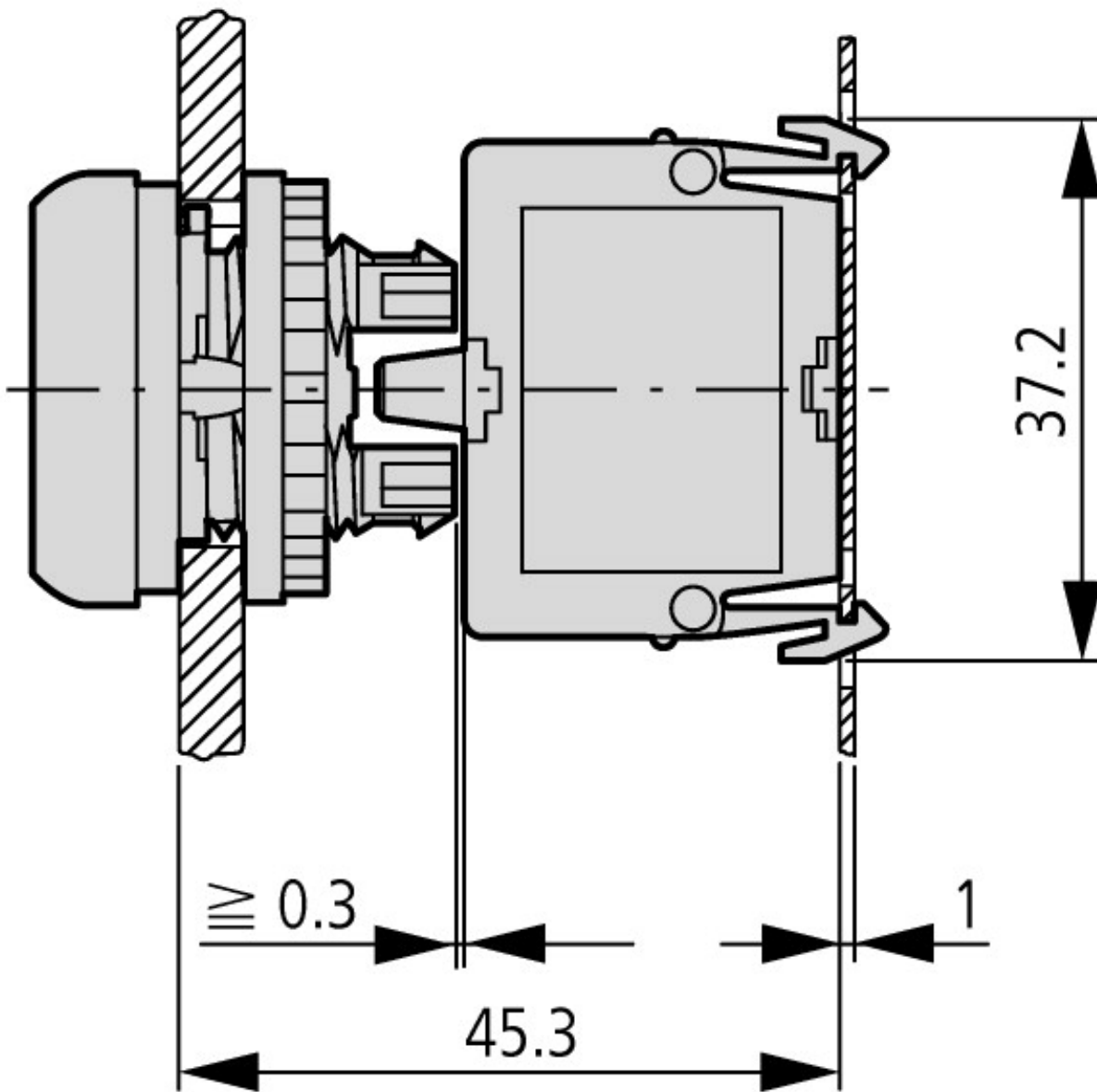
|                   |  |  |  |
|-------------------|--|--|--|
| Product Standards |  |  | IEC/EN 60947-5; UL 508; CSA-C22.2 No. 14-05; CSA-C22.2 No. 94-91; CE marking |
|-------------------|--|--|--|

|                             |                            |
|-----------------------------|----------------------------|
| UL File No.                 | E29184                     |
| UL Category Control No.     | NKCR                       |
| CSA File No.                | 012528                     |
| CSA Class No.               | 3211-03                    |
| North America Certification | UL listed, CSA certified   |
| Degree of Protection        | UL/CSA Type 3R, 4X, 12, 13 |

## Dimensions







Actuating and indicator elements  
Base fixing

### Additional product information (links)

IL0471600ZZ (AWA1160-1745) RMQ-Titan System

IL0471600ZZ (AWA1160-1745) RMQ-Titan  
System

[ftp://ftp.moeller.net/DOCUMENTATION/AWA\\_INSTRUCTIONS/IL0471600ZZ2018\\_10.pdf](ftp://ftp.moeller.net/DOCUMENTATION/AWA_INSTRUCTIONS/IL0471600ZZ2018_10.pdf)