

Date: _____
 In hands date of project: _____
 Project name/Number: _____
 Name of distributor: _____
 Client #: _____
 Name of end user: _____



ORDERING INFORMATION

Order code: 65845
 Description: SVAN/QUAD/40W/40K/BN/F/STD
 UPC: 69549658455
 Case quantity: 1/6
 Luminaire type: Wall Sconce

FEATURES AND SPECIFICATIONS

Lens type: Acrylic - Frosted
 Frame finish: Brushed Nickel
 Applications: Ideal for use in hallways, lobbies, bathroom vanities & various residential applications



For a complete list of ENERGY STAR qualified products, please visit www.standardpro.com

FIXTURE PERFORMANCE

Wattage (W): 40
 Colour temperature (K): 4 000
 CRI: 90
 Life L70 (hrs): 50 000
 Light output (lm): 2 422
 Efficiency with lens (LPW): 61
 Voltage (V): 120
 Frequency (Hz): 60
 Beam angle: 120°
 Mounting: Surface Mount
 IP Rating: 20
 Dimmer Type: Forward and reverse phase

POWER FACTOR (PF)

>0.9

TOTAL HARMONIC DISTORTION (THD)

< 30 %

AMBIENT OPERATING TEMPERATURES

-20 °C / -4 °F to 45 °C / 113 °F

COMPATIBLE DIMMER LIST

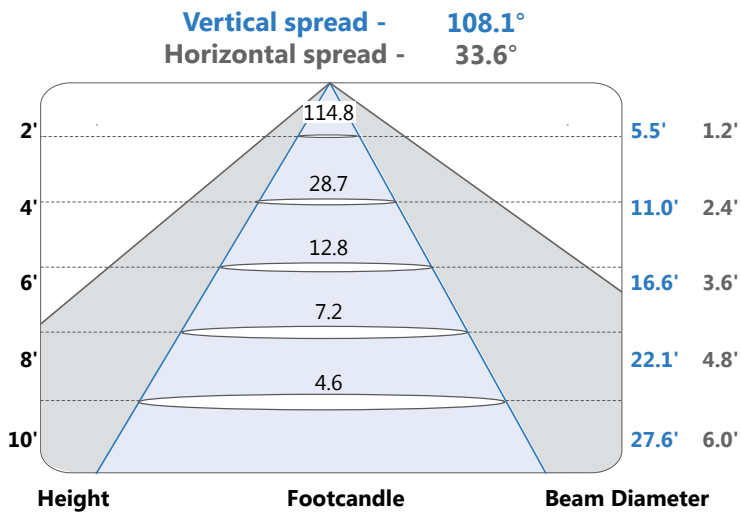
LEGRAND: HCL453P
 COOPER: DAL06P, SLC03P, AAL06
 LEVITON: 6615, IPL06, 6674, DSL06-1LZ, DSM10-1LZ, IPE04-1LZ
 LUTRON: PD-6WCL, CTCL-153P, DVCL-253P, AYCL-253P, DVELV-300P, SELV-300P, MACL-153P

The attached data is provided to assist users in making lighting decisions based on various assumptions, factors and methods. Resources and efforts have been put in place to account for the data and the development of this tool however STANDARD does not warrant or guarantee that the results obtained will be accurate under actual use conditions. A lighting layout is recommend to ensure the proper light levels are attained to satisfy the demand of the application. Data is based upon tests performed in a controlled environment and representative of relative performance. Actual performance can vary depending on operating conditions. Specifications are subject to change without notice.

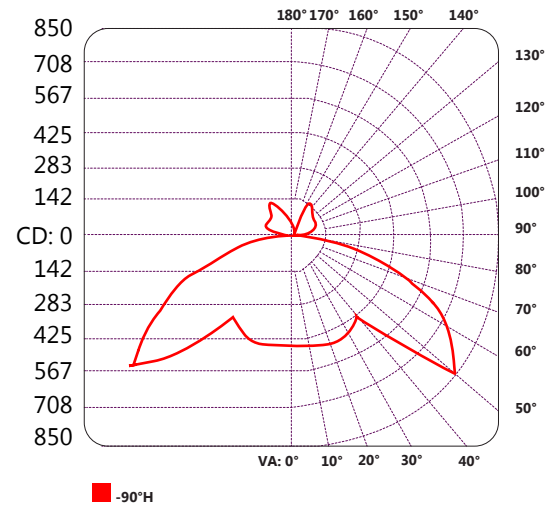
ORDERING INFORMATION

Order code: 65845
 Description: SVAN/QUAD/40W/40K/BN/F/STD
 UPC: 69549658455
 Case quantity: 1/6
 Luminaire type: Wall Sconce

PHOTOMETRICS - BEAM SPREAD*



PHOTOMETRICS - CANDELA DISTRIBUTION*



PHOTOMETRICS - COEFFICIENTS OF UTILIZATION (ZONAL CAVITY METHOD)*

RCC %:	80				70				50				30				10				0	
RW %:	70	50	30	0	70	50	30	0	50	30	20	0	50	30	20	0	50	30	20	0	0	
RCR: 0	1.16	1.16	1.16	1.16	1.11	1.11	1.11	.85	1.03	1.03	1.03	.95	.95	.95	.89	.89	.89	.85				
1	1.03	.97	.92	.88	.99	.94	.89	.67	.87	.83	.79	.80	.77	.74	.74	.72	.70	.66				
2	.92	.83	.75	.68	.88	.80	.72	.54	.74	.68	.63	.68	.63	.59	.63	.59	.56	.52				
3	.83	.71	.62	.55	.79	.68	.60	.44	.63	.56	.51	.59	.53	.48	.54	.49	.45	.42				
4	.75	.62	.52	.45	.72	.60	.51	.36	.55	.48	.42	.51	.45	.40	.47	.42	.37	.35				
5	.69	.55	.45	.38	.65	.53	.44	.31	.49	.41	.35	.45	.39	.33	.42	.36	.32	.29				
6	.63	.49	.39	.32	.60	.47	.38	.26	.44	.36	.30	.40	.34	.29	.37	.32	.27	.25				
7	.58	.44	.34	.28	.55	.42	.33	.23	.39	.32	.26	.36	.30	.25	.34	.28	.24	.21				
8	.54	.39	.31	.24	.51	.38	.30	.20	.36	.28	.23	.33	.27	.22	.31	.25	.21	.19				
9	.50	.36	.27	.22	.48	.35	.27	.18	.33	.25	.20	.30	.24	.19	.28	.23	.19	.16				
10	.47	.33	.25	.19	.45	.32	.24	.16	.30	.23	.18	.28	.22	.17	.26	.21	.17	.15				

CAN ICES-005 (B) / NMB-005 (B)

This lighting equipment complies with Canadian standard ICES-005; for use in commercial applications.

The attached data is provided to assist users in making lighting decisions based on various assumptions, factors and methods. Resources and efforts have been put in place to account for the data and the development of this tool however STANDARD does not warrant or guarantee that the results obtained will be accurate under actual use conditions. A lighting layout is recommend to ensure the proper light levels are attained to satisfy the demand of the application.

Data is based upon tests performed in a controlled environment and representative of relative performance. Actual performance can vary depending on operating conditions. Specifications are subject to change without notice.



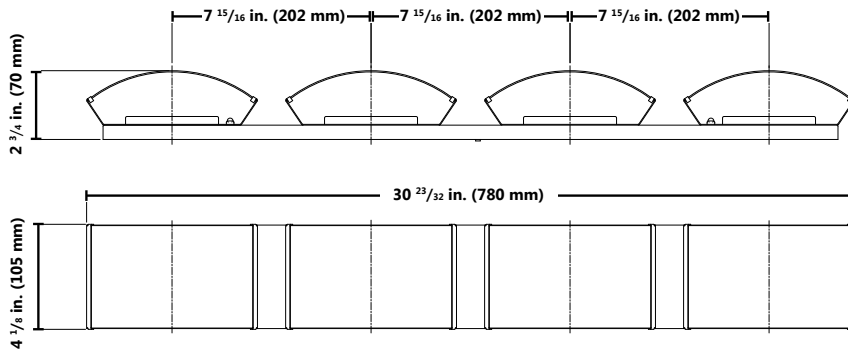
ORDERING INFORMATION

Order code: 65845
 Description: SVAN/QUAD/40W/40K/BN/F/STD
 UPC: 69549658455
 Case quantity: 1/6
 Luminaire type: Wall Sconce

DIMENSIONS

Length: 30 ²³/₃₂ in. (780 mm)
 Width: 4 ¹/₈ in. (105 mm)
 Depth: 2 ³/₄ in. (70 mm)

TECHNICAL DRAWINGS



WARNINGS

- Turn power off before inspection, installation, or removal.
- Risk of electrical shock – do not use where directly exposed to water or weather.
- Suitable for use in damp locations.
- Do not open – no user serviceable parts inside.
- This device is not intended for use with emergency exit fixtures or emergency exit lights.
- For complete dimmer and warranty information visit www.standardpro.com.
- Operating Temperature: - 20 °C / - 4 °F to 45 °C / 113 °F
- 5 year limited warranty.

WARNING – Risk of electric shock. This product must be installed in accordance with applicable installation code by a person familiar with the construction and operation of the product and the hazards involved.

Qty	Description	Price

I accept the specifications of the luminaire configuration mentioned above.

Name: _____

Company: _____

Signature: _____

Date: _____

The attached data is provided to assist users in making lighting decisions based on various assumptions, factors and methods. Resources and efforts have been put in place to account for the data and the development of this tool however STANDARD does not warrant or guarantee that the results obtained will be accurate under actual use conditions. A lighting layout is recommend to ensure the proper light levels are attained to satisfy the demand of the application. Data is based upon tests performed in a controlled environment and representative of relative performance. Actual performance can vary depending on operating conditions. Specifications are subject to change without notice.

