

Date: \_\_\_\_\_  
 In hands date of project: \_\_\_\_\_  
 Project name/Number: \_\_\_\_\_  
 Name of distributor: \_\_\_\_\_  
 Client #: \_\_\_\_\_  
 Name of end user: \_\_\_\_\_



## ORDERING INFORMATION

Order code: 65843  
 Description: SVAN/TRIPLE/30W/40K/BN/F/STD  
 UPC: 69549658431  
 Case quantity: 1/6  
 Luminaire type: Wall Sconce

## FEATURES AND SPECIFICATIONS

Lens type: Acrylic - Frosted  
 Frame finish: Brushed Nickel  
 Applications: Ideal for use in hallways, lobbies, bathroom vanities & various residential applications



For a complete list of ENERGY STAR qualified products, please visit [www.standardpro.com](http://www.standardpro.com)

## FIXTURE PERFORMANCE

Wattage (W): 30  
 Colour temperature (K): 4 000  
 CRI: 90  
 Life L70 (hrs): 50 000  
 Light output (lm): 2 023  
 Efficiency with lens (LPW): 67  
 Voltage (V): 120  
 Frequency (Hz): 60  
 Beam angle: 120°  
 Mounting: Surface Mount  
 IP Rating: 20  
 Dimmer Type: Forward and reverse phase

## POWER FACTOR (PF)

>0.9

## TOTAL HARMONIC DISTORTION (THD)

< 30 %

## AMBIENT OPERATING TEMPERATURES

-20 °C / -4 °F to 45 °C / 113 °F

## COMPATIBLE DIMMER LIST

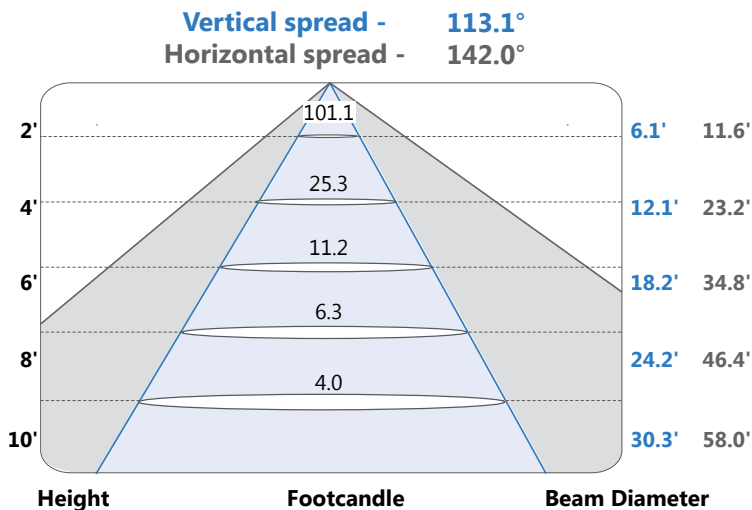
LEGRAND: HCL453P  
 COOPER: DAL06P, SLC03P, AAL06  
 LEVITON: 6615, IPL06, 6674, DSL06-1LZ, DSM10-1LZ, IPE04-1LZ  
 LUTRON: PD-6WCL, CTCL-153P, DVCL-253P, AYCL-253P, DVELV-300P, SELV-300P, MACL-153P

The attached data is provided to assist users in making lighting decisions based on various assumptions, factors and methods. Resources and efforts have been put in place to account for the data and the development of this tool however STANDARD does not warrant or guarantee that the results obtained will be accurate under actual use conditions. A lighting layout is recommend to ensure the proper light levels are attained to satisfy the demand of the application. Data is based upon tests performed in a controlled environment and representative of relative performance. Actual performance can vary depending on operating conditions. Specifications are subject to change without notice.

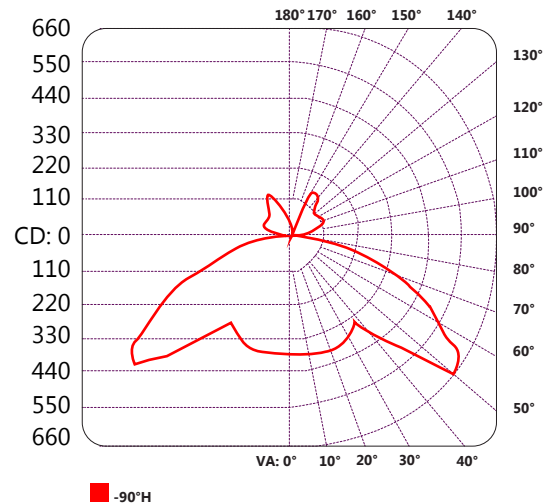
## ORDERING INFORMATION

Order code: 65843  
 Description: SVAN/TRIPLE/30W/40K/BN/F/STD  
 UPC: 69549658431  
 Case quantity: 1/6  
 Luminaire type: Wall Sconce

## PHOTOMETRICS - BEAM SPREAD\*



## PHOTOMETRICS - CANDELA DISTRIBUTION\*



## PHOTOMETRICS - COEFFICIENTS OF UTILIZATION (ZONAL CAVITY METHOD)\*

RCC %:	80				70				50			30			10			0
RW %:	70	50	30	0	70	50	30	0	50	30	20	50	30	20	50	30	20	0
RCR: 0	1.16	1.16	1.16	1.16	1.11	1.11	1.11	.86	1.03	1.03	1.03	.96	.96	.96	.89	.89	.89	.86
1	1.03	.97	.92	.88	.99	.94	.89	.68	.87	.83	.80	.80	.77	.75	.74	.72	.70	.67
2	.92	.83	.75	.69	.88	.80	.73	.54	.74	.68	.63	.68	.63	.59	.63	.59	.56	.53
3	.83	.71	.62	.55	.79	.69	.60	.44	.63	.56	.51	.59	.53	.48	.54	.49	.45	.42
4	.75	.62	.52	.45	.72	.60	.51	.37	.55	.48	.42	.51	.45	.40	.47	.42	.38	.35
5	.69	.55	.45	.38	.65	.53	.44	.31	.49	.41	.35	.45	.39	.33	.42	.36	.32	.29
6	.63	.49	.39	.32	.60	.47	.38	.27	.44	.36	.30	.41	.34	.29	.38	.32	.27	.25
7	.58	.44	.34	.28	.55	.42	.34	.23	.39	.32	.26	.37	.30	.25	.34	.28	.24	.21
8	.54	.40	.31	.25	.51	.38	.30	.20	.36	.28	.23	.33	.27	.22	.31	.25	.21	.19
9	.50	.36	.28	.22	.48	.35	.27	.18	.33	.25	.20	.31	.24	.20	.29	.23	.19	.17
10	.47	.33	.25	.19	.45	.32	.24	.16	.30	.23	.18	.28	.22	.18	.26	.21	.17	.15

CAN ICES-005 (B) / NMB-005 (B)

This lighting equipment complies with Canadian standard ICES-005; for use in commercial applications.

The attached data is provided to assist users in making lighting decisions based on various assumptions, factors and methods. Resources and efforts have been put in place to account for the data and the development of this tool however STANDARD does not warrant or guarantee that the results obtained will be accurate under actual use conditions. A lighting layout is recommend to ensure the proper light levels are attained to satisfy the demand of the application.

Data is based upon tests performed in a controlled environment and representative of relative performance. Actual performance can vary depending on operating conditions. Specifications are subject to change without notice.



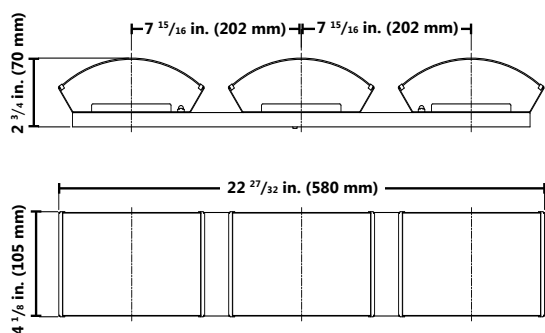
## ORDERING INFORMATION

Order code: 65843  
 Description: SVAN/TRIPLE/30W/40K/BN/F/STD  
 UPC: 69549658431  
 Case quantity: 1/6  
 Luminaire type: Wall Sconce

## DIMENSIONS

Length: 22 <sup>27</sup>/<sub>32</sub> in. (580 mm)  
 Width: 4 <sup>1</sup>/<sub>8</sub> in. (105 mm)  
 Depth: 2 <sup>3</sup>/<sub>4</sub> in. (70 mm)

## TECHNICAL DRAWINGS



## WARNINGS

- Turn power off before inspection, installation, or removal.
- Risk of electrical shock – do not use where directly exposed to water or weather.
- Suitable for use in damp locations.
- Do not open – no user serviceable parts inside.
- This device is not intended for use with emergency exit fixtures or emergency exit lights.
- For complete dimmer and warranty information visit [www.standardpro.com](http://www.standardpro.com).
- Operating Temperature: - 20 °C / - 4 °F to 45 °C / 113 °F
- 5 year limited warranty.

**WARNING – Risk of electric shock. This product must be installed in accordance with applicable installation code by a person familiar with the construction and operation of the product and the hazards involved.**

Qty	Description	Price

I accept the specifications of the luminaire configuration mentioned above.

Name: \_\_\_\_\_

Company: \_\_\_\_\_

Signature: \_\_\_\_\_

Date: \_\_\_\_\_

The attached data is provided to assist users in making lighting decisions based on various assumptions, factors and methods. Resources and efforts have been put in place to account for the data and the development of this tool however STANDARD does not warrant or guarantee that the results obtained will be accurate under actual use conditions. A lighting layout is recommend to ensure the proper light levels are attained to satisfy the demand of the application. Data is based upon tests performed in a controlled environment and representative of relative performance. Actual performance can vary depending on operating conditions. Specifications are subject to change without notice.

