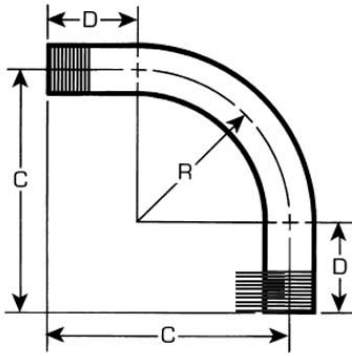


Ocal®



T&B Catalog Number: ELL1-G
UPC Number: 70450836988
Description: 1" x 90°; Dark Gray 40 mil PVC Coated Hot-Dip Galvanized Rigid Steel Elbow.

Status: Active

WEB_USE

-T&B Product Line 087

Features

- A minimum .040" (40 mil) PVC coating on the exterior.
- A nominal .002" (2 mil) blue urethane on the interior.
- Ocal-Blue standard radius elbows are factory bent to reduce the ti
- Special radiuses and degrees are available upon request.
- Color coded thread protectors on each end.
- Standard radiuses in 30°, 45°, 60° and 90°

General

-Custom_Finish sre_190
 -Material Steel
 -Finish Hot Dip Galvanized
 -Color Dark Gray
 -Thread Protector Color Blue

Dimension Information

-Pipe Size (inches) 1
 -Pipe Size (Metric Size Designator*) 27
 -Degree of Bend 90
 -Radius-R (inches) 5.75
 -Radius-R (mm) 146.05
 -Offset-C (inches) 8.63
 -Offset-C (mm) 219.202
 -Straight End-D (inches) 2.88
 -Straight End-D (mm) 73.152
 -Unbent Length (inches) 14.75
 -Unbent Length (mm) 374.65

Technical Information

-Chemical Resistance Chart Available on Website

Specifications

-Ocal Specification Guide-1995 Master Form Available on Website
 -Ocal Specification Guide-1995 Master Form Available on Website
 -Ocal Specification Guide-2004 Master Form Available on Website
 -Ocal Specification Guide-2004 Master Form Available on Website

Packaging

-Package in Units 20
 -T&B Sold in UOM Each
 -T&B Weight Per UOM 2.1 lbs. Each

Application Support

-T&B Sales Drawings wsd-000551
 -Recommended Installation Procedures Available on Website
 -NEMA Standards-RN 1 Available on Website
 -NEC 310-16 - Conductors for General Wiring Available on Website

-NEC Table 8

Available on Website

Notes

-*Note

Metric size designator (ANSI C80. 1-1994)

-**Note

Dimensional values are of un-coated elbows.

-***Note

Standard color is dark gray. Also available in white and light blue.

Certifications

-RoHS Compliance

No

Certifications



File Nbr:

E 46453

For further technical assistance, please contact us...

Thomas & Betts - USA
8155 T&B Blvd.
Memphis, TN 38125
www.tnb.com

T&B Technical Support
MS 3B-50
8155 T&B Blvd.
Memphis, TN 38125

Hours: 7AM - 6PM CDT
Monday-Friday
Phone: (888) 862-3289
Fax: (901) 252-1321
Email:techsupport@tnb.com