

Scepter Junction Box

JBX442 | 277000

Junction boxes form an integral part of a circuit protection system and are constructed to provide a degree of protection to personnel against incidental contact with the enclosed equipment and to provide a degree of protection to the enclosed equipment against specified environmental conditions. JBX boxes are molded of PVC, are entirely non-metallic and provide NEMA Type 1, 2, 3R, 4, 4X, 6, 6P, 12, 13 protection.


APPLICATION / USE

JBX junction boxes are intended for installation within a rigid non-metallic conduit system (PVC) or for use independently. Designed and approved for use in both indoor and outdoor applications, JBX junction boxes allow for accessibility for installation of wire and cable in continuous lengths and to enclose joints and splices. JBX junction boxes can also be used to enclose electrical equipment in non-hazardous locations.

MATERIAL

PVC, Valox, IPEX gasket

STANDARDS

UL 50/50E, CSA 94.1/94.2,  CSA C22.2 No.85, CSA C22.2 No.40

BOX VOLUME

25.55 cu.in/419 ml

NEMA

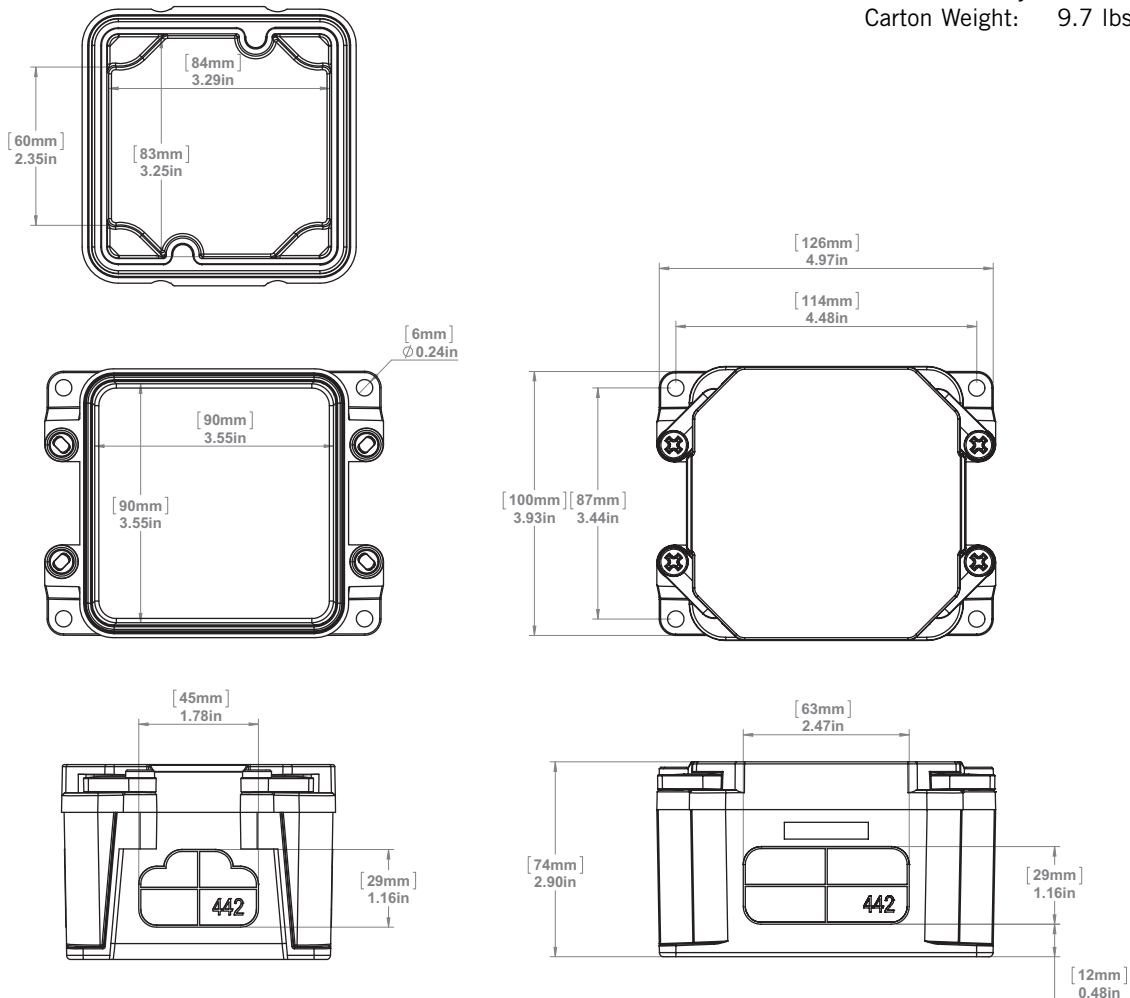
Type 1, 2, 3R, 4, 4X, 6, 6P, 12, 13

FASTENER TOOL

#2 Phillips screwdriver

PACKAGING

Carton Quantity: 12
Carton Weight: 9.7 lbs



Scepter Junction Box

JBX444 | 277001

Junction boxes form an integral part of a circuit protection system and are constructed to provide a degree of protection to personnel against incidental contact with the enclosed equipment and to provide a degree of protection to the enclosed equipment against specified environmental conditions. JBX boxes are molded of PVC, are entirely non-metallic and provide NEMA Type 1, 2, 3R, 4, 4X, 6, 6P, 12, 13 protection.


APPLICATION / USE

JBX junction boxes are intended for installation within a rigid non-metallic conduit system (PVC) or for use independently. Designed and approved for use in both indoor and outdoor applications, JBX junction boxes allow for accessibility for installation of wire and cable in continuous lengths and to enclose joints and splices. JBX junction boxes can also be used to enclose electrical equipment in non-hazardous locations.

MATERIAL

PVC, Valox, IPEX gasket

STANDARDS

UL 50/50E, CSA 94.1/94.2,  CSA C22.2 No.85, CSA C22.2 No.40

BOX VOLUME

50.11 cu.in/821 ml

NEMA

Type 1, 2, 3R, 4, 4X, 6, 6P, 12, 13

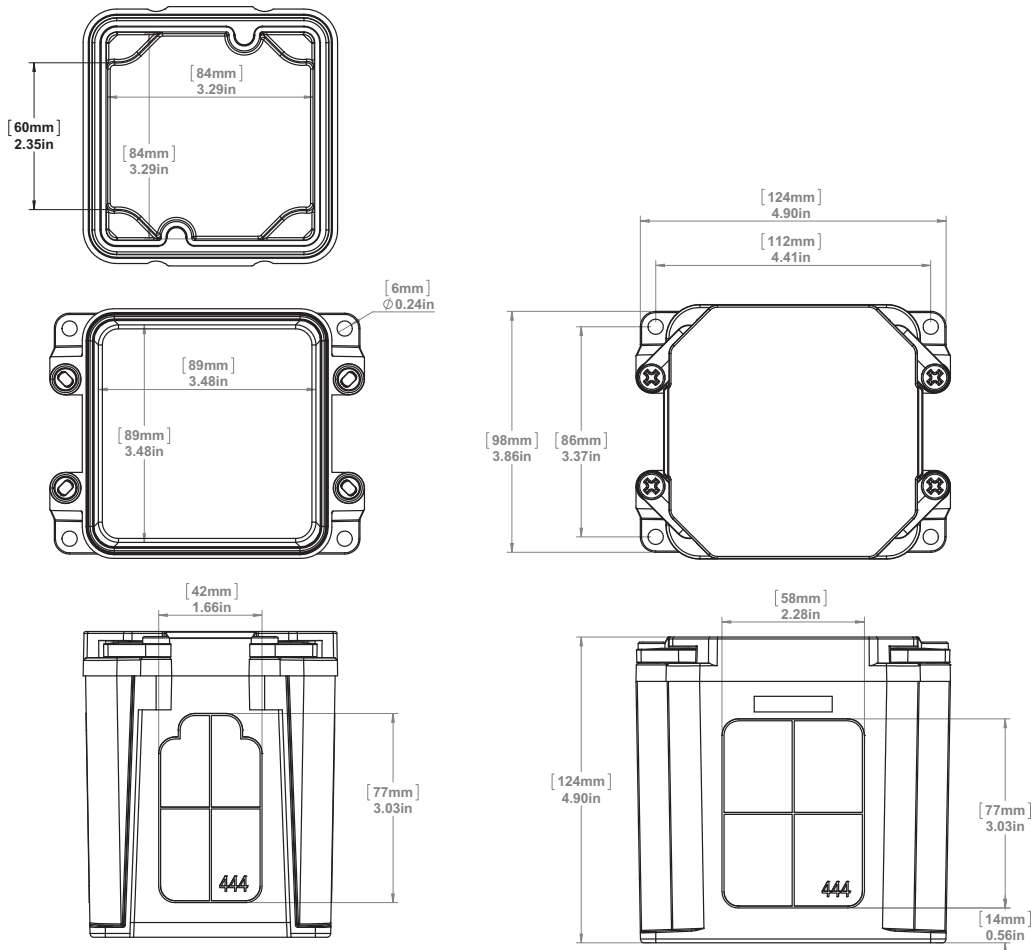
FASTENER TOOL

#2 Phillips screwdriver

PACKAGING

Carton Quantity: 12

Carton Weight: 13.2 lbs



Scepter Junction Box

JBX552 | 277002

Junction boxes form an integral part of a circuit protection system and are constructed to provide a degree of protection to personnel against incidental contact with the enclosed equipment and to provide a degree of protection to the enclosed equipment against specified environmental conditions. JBX boxes are molded of PVC, are entirely non-metallic and provide NEMA Type 1, 2, 3R, 4, 4X, 6, 6P, 12, 13 protection.


APPLICATION / USE

JBX junction boxes are intended for installation within a rigid non-metallic conduit system (PVC) or for use independently. Designed and approved for use in both indoor and outdoor applications, JBX junction boxes allow for accessibility for installation of wire and cable in continuous lengths and to enclose joints and splices. JBX junction boxes can also be used to enclose electrical equipment in non-hazardous locations.

MATERIAL

PVC, Valox, IPEX gasket

STANDARDS

UL 50/50E, CSA 94.1/94.2,  CSA C22.2 No.85, CSA C22.2 No.40

BOX VOLUME

41.89 cu.in/686 ml

NEMA

Type 1, 2, 3R, 4, 4X, 6, 6P, 12, 13

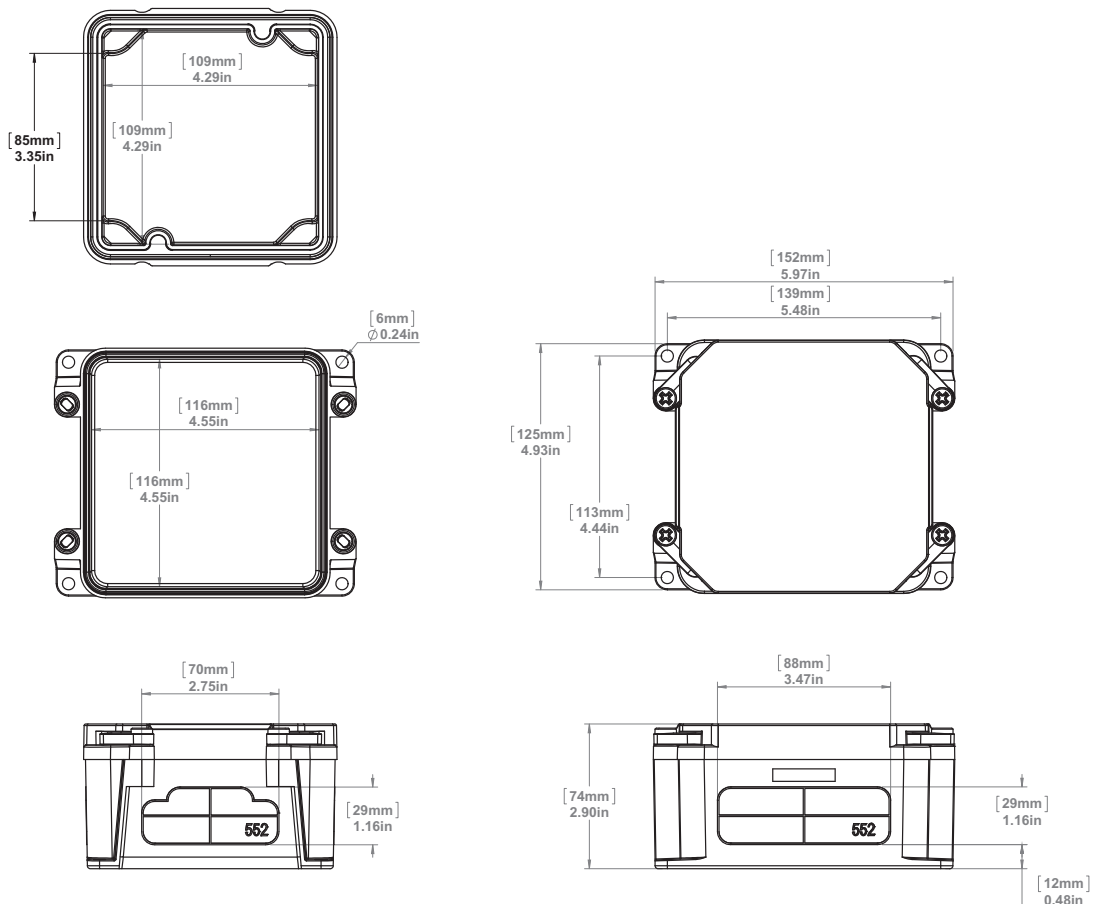
FASTENER TOOL

#2 Phillips screwdriver

PACKAGING

Carton Quantity: 10

Carton Weight: 11.0 lbs



Scepter Junction Box

JBX634 | 277003

Junction boxes form an integral part of a circuit protection system and are constructed to provide a degree of protection to personnel against incidental contact with the enclosed equipment and to provide a degree of protection to the enclosed equipment against specified environmental conditions. JBX boxes are molded of PVC, are entirely non-metallic and provide NEMA Type 1, 2, 3R, 4, 4X, 6, 6P, 12, 13 protection.


APPLICATION / USE

JBX junction boxes are intended for installation within a rigid non-metallic conduit system (PVC) or for use independently. Designed and approved for use in both indoor and outdoor applications, JBX junction boxes allow for accessibility for installation of wire and cable in continuous lengths and to enclose joints and splices. JBX junction boxes can also be used to enclose electrical equipment in non-hazardous locations.

MATERIAL

PVC, Valox, IPEX gasket

STANDARDS

UL 50/50E, CSA 94.1/94.2,  CSA C22.2 No.85, CSA C22.2 No.40

BOX VOLUME

56.30 cu.in/923 ml

NEMA

Type 1, 2, 3R, 4, 4X, 6, 6P, 12, 13

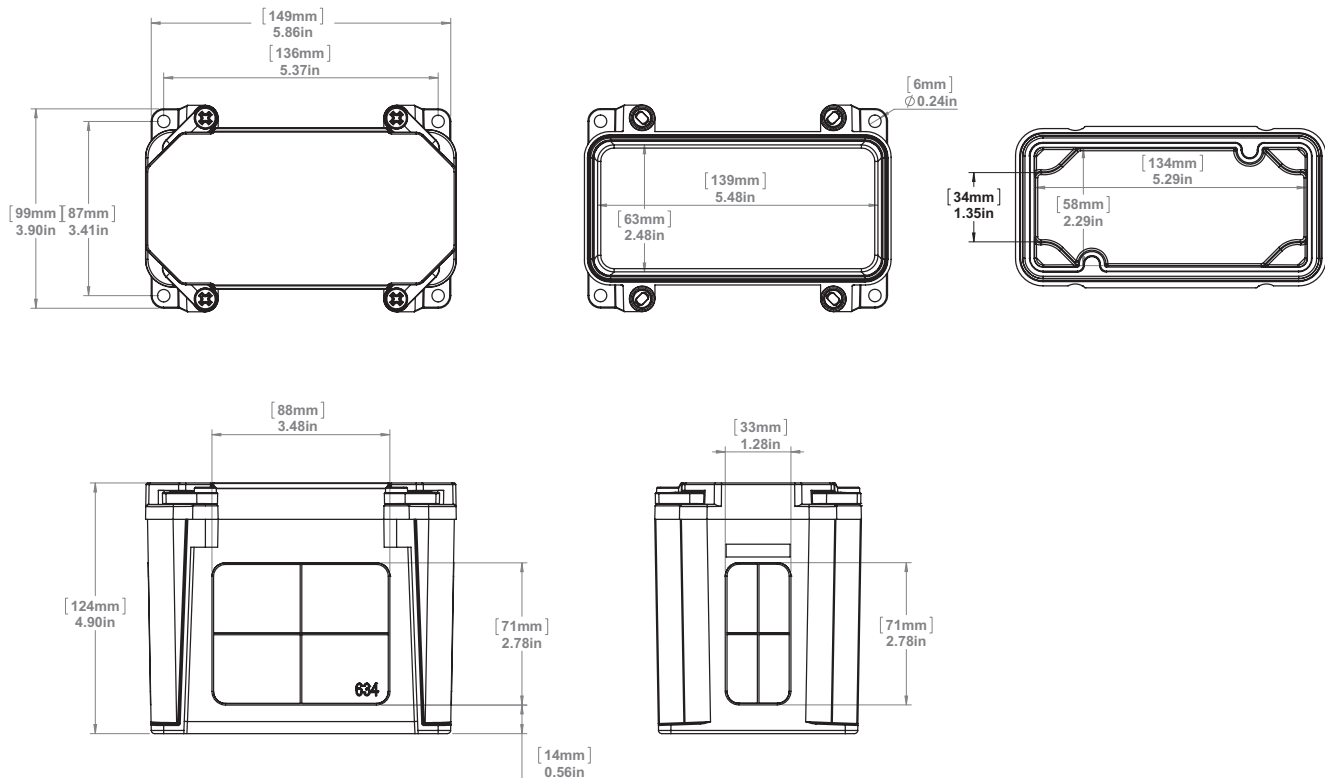
FASTENER TOOL

#2 Phillips screwdriver

PACKAGING

Carton Quantity: 3

Carton Weight: 3.7 lbs



Scepter Junction Box

JBX664 | 277004

Junction boxes form an integral part of a circuit protection system and are constructed to provide a degree of protection to personnel against incidental contact with the enclosed equipment and to provide a degree of protection to the enclosed equipment against specified environmental conditions. JBX boxes are molded of PVC, are entirely non-metallic and provide NEMA Type 1, 2, 3R, 4, 4X, 6, 6P, 12, 13 protection.


APPLICATION / USE

JBX junction boxes are intended for installation within a rigid non-metallic conduit system (PVC) or for use independently. Designed and approved for use in both indoor and outdoor applications, JBX junction boxes allow for accessibility for installation of wire and cable in continuous lengths and to enclose joints and splices. JBX junction boxes can also be used to enclose electrical equipment in non-hazardous locations.

MATERIAL

PVC, Valox, IPEX gasket

STANDARDS

UL 50/50E, CSA 94.1/94.2,  CSA C22.2 No.85, CSA C22.2 No.40

BOX VOLUME

172.05 cu.in/2819 ml

NEMA

Type 1, 2, 3R, 4, 4X, 6, 6P, 12, 13

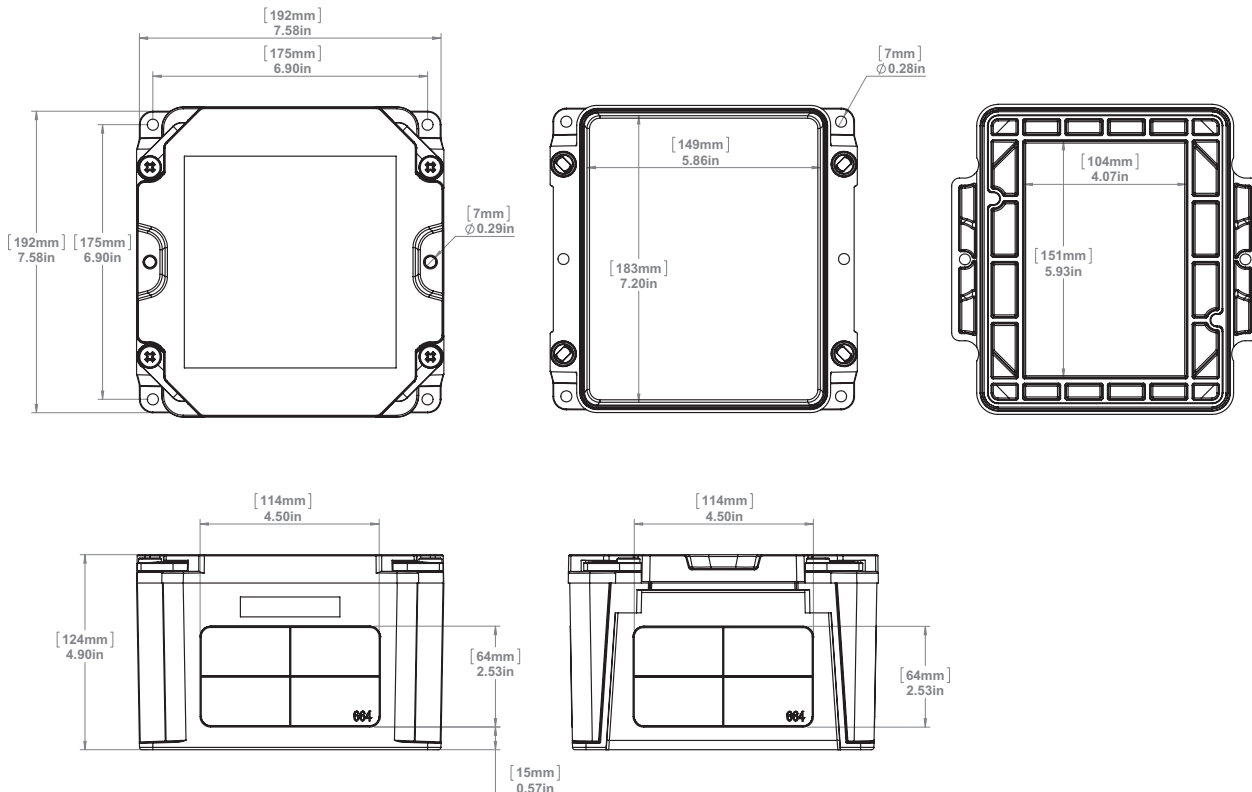
FASTENER TOOL

#2 Phillips screwdriver

PACKAGING

Carton Quantity: 5

Carton Weight: 13.5 lbs



Scepter Junction Box

JBX666 | 277005

Junction boxes form an integral part of a circuit protection system and are constructed to provide a degree of protection to personnel against incidental contact with the enclosed equipment and to provide a degree of protection to the enclosed equipment against specified environmental conditions. JBX boxes are molded of PVC, are entirely non-metallic and provide NEMA Type 1, 2, 3R, 4, 4X, 6, 6P, 12, 13 protection.


APPLICATION / USE

JBX junction boxes are intended for installation within a rigid non-metallic conduit system (PVC) or for use independently. Designed and approved for use in both indoor and outdoor applications, JBX junction boxes allow for accessibility for installation of wire and cable in continuous lengths and to enclose joints and splices. JBX junction boxes can also be used to enclose electrical equipment in non-hazardous locations.

MATERIAL

PVC, Valox, IPEX gasket

STANDARDS

UL 50/50E, CSA 94.1/94.2,  CSA C22.2 No.85, CSA C22.2 No.40

BOX VOLUME

255 cu.in/4184 ml

NEMA

Type 1, 2, 3R, 4, 4X, 6, 6P, 12, 13

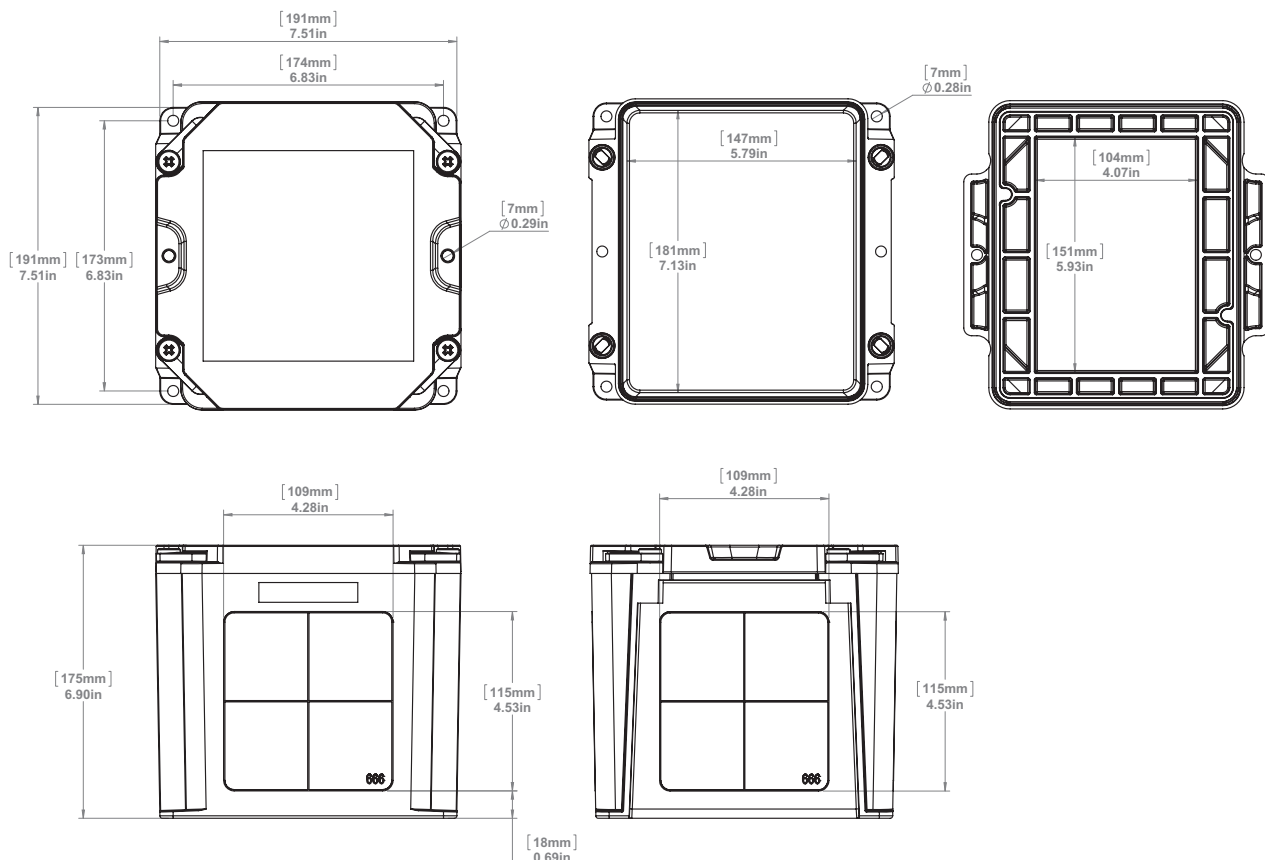
FASTENER TOOL

#2 Phillips screwdriver

PACKAGING

Carton Quantity: 4

Carton Weight: 13.0 lbs



Scepter Junction Box

JBX884 | 277006

Junction boxes form an integral part of a circuit protection system and are constructed to provide a degree of protection to personnel against incidental contact with the enclosed equipment and to provide a degree of protection to the enclosed equipment against specified environmental conditions. JBX boxes are molded of PVC, are entirely non-metallic and provide NEMA Type 1, 2, 3R, 4, 4X, 6, 6P, 12, 13 protection.


APPLICATION / USE

JBX junction boxes are intended for installation within a rigid non-metallic conduit system (PVC) or for use independently. Designed and approved for use in both indoor and outdoor applications, JBX junction boxes allow for accessibility for installation of wire and cable in continuous lengths and to enclose joints and splices. JBX junction boxes can also be used to enclose electrical equipment in non-hazardous locations.

MATERIAL

PVC, Valox, IPEX gasket

STANDARDS

UL 50/50E, CSA 94.1/94.2,  CSA C22.2 No.85, CSA C22.2 No.40

BOX VOLUME

293.19 cu.in/4805 ml

NEMA

Type 1, 2, 3R, 4, 4X, 6, 6P, 12, 13

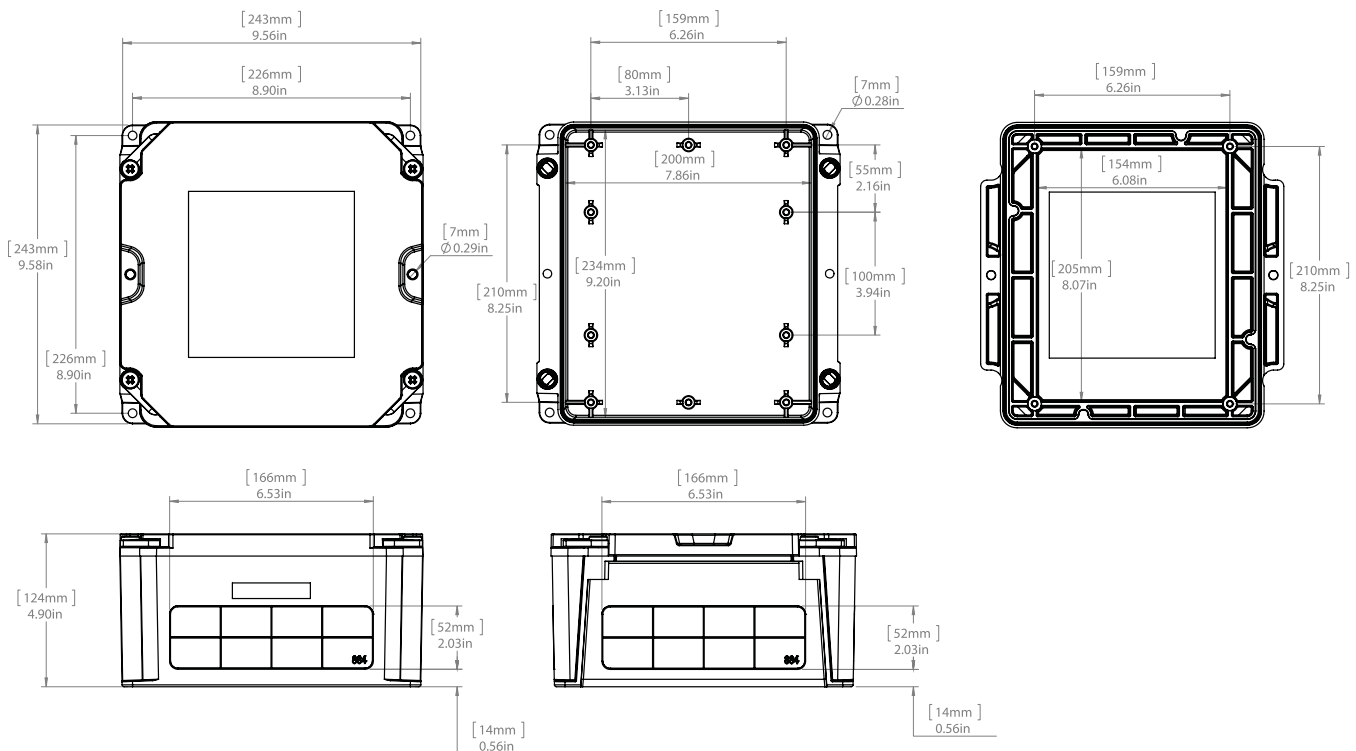
FASTENER TOOL

#2 Phillips screwdriver

PACKAGING

Carton Quantity: 6

Carton Weight: 23.4 lbs



Scepter Junction Box

JBX887 | 277007

Junction boxes form an integral part of a circuit protection system and are constructed to provide a degree of protection to personnel against incidental contact with the enclosed equipment and to provide a degree of protection to the enclosed equipment against specified environmental conditions. JBX boxes are molded of PVC, are entirely non-metallic and provide NEMA Type 1, 2, 3R, 4, 4X, 6, 6P, 12, 13 protection.


APPLICATION / USE

JBX junction boxes are intended for installation within a rigid non-metallic conduit system (PVC) or for use independently. Designed and approved for use in both indoor and outdoor applications, JBX junction boxes allow for accessibility for installation of wire and cable in continuous lengths and to enclose joints and splices. JBX junction boxes can also be used to enclose electrical equipment in non-hazardous locations.

MATERIAL

PVC, Valox, IPEX gasket

STANDARDS

UL 50/50E, CSA 94.1/94.2,  CSA C22.2 No.85, CSA C22.2 No.40

BOX VOLUME

506.97 cu.in/8308 ml

NEMA

Type 1, 2, 3R, 4, 4X, 6, 6P, 12, 13

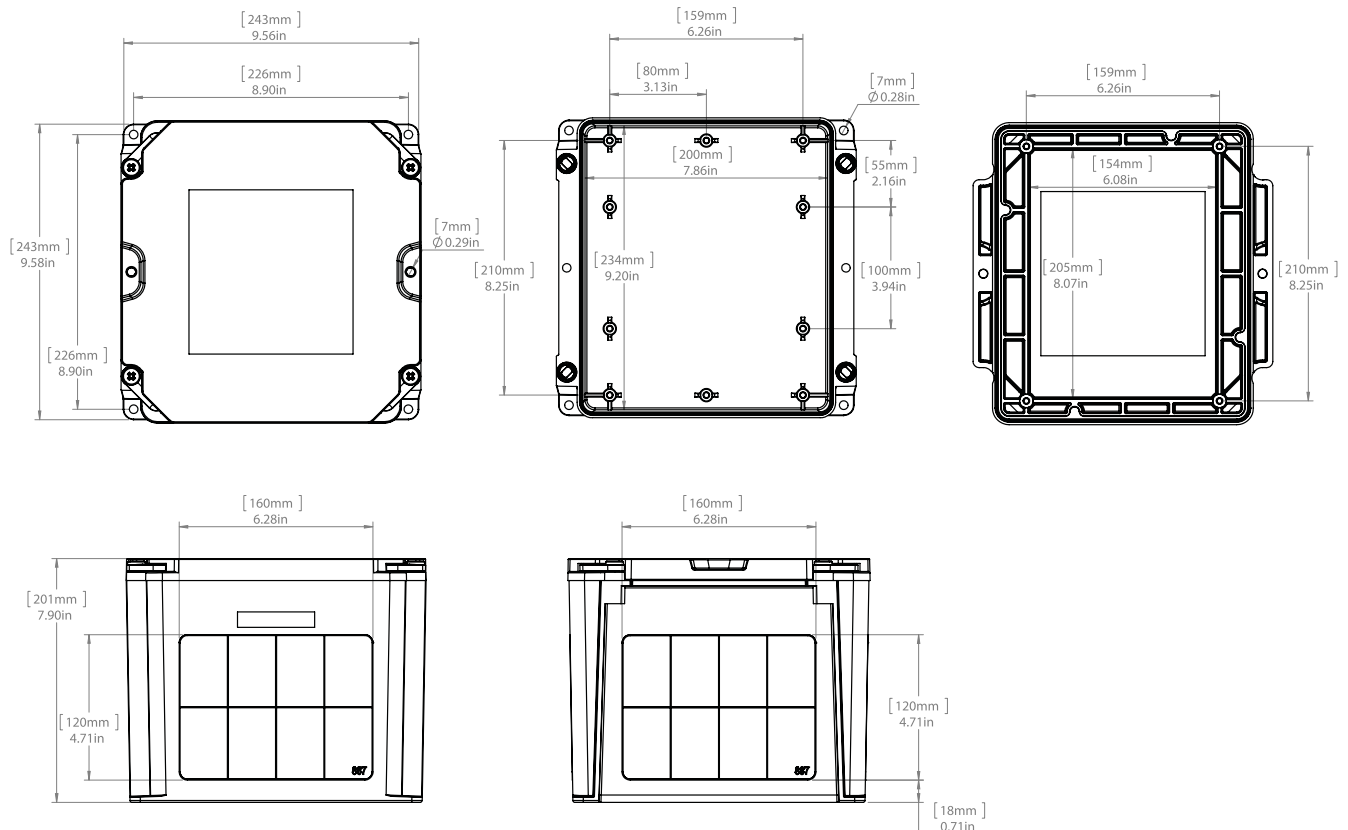
FASTENER TOOL

#2 Phillips screwdriver

PACKAGING

Carton Quantity: 4

Carton Weight: 19.6 lbs



Scepter Junction Box

JBX12124 | 277008

Junction boxes form an integral part of a circuit protection system and are constructed to provide a degree of protection to personnel against incidental contact with the enclosed equipment and to provide a degree of protection to the enclosed equipment against specified environmental conditions. JBX boxes are molded of PVC, are entirely non-metallic and provide NEMA Type 1, 2, 3R, 4, 4X, 6, 6P, 12, 13 protection.


APPLICATION / USE

JBX junction boxes are intended for installation within a rigid non-metallic conduit system (PVC) or for use independently. Designed and approved for use in both indoor and outdoor applications, JBX junction boxes allow for accessibility for installation of wire and cable in continuous lengths and to enclose joints and splices. JBX junction boxes can also be used to enclose electrical equipment in non-hazardous locations.

MATERIAL

PVC, Valox, IPEX gasket

STANDARDS

UL 50/50E, CSA 94.1/94.2,  CSA C22.2 No.85, CSA C22.2 No.40

BOX VOLUME

548.26 cu.in/8,984 ml

NEMA

Type 1, 2, 3R, 4, 4X, 6, 6P, 12, 13

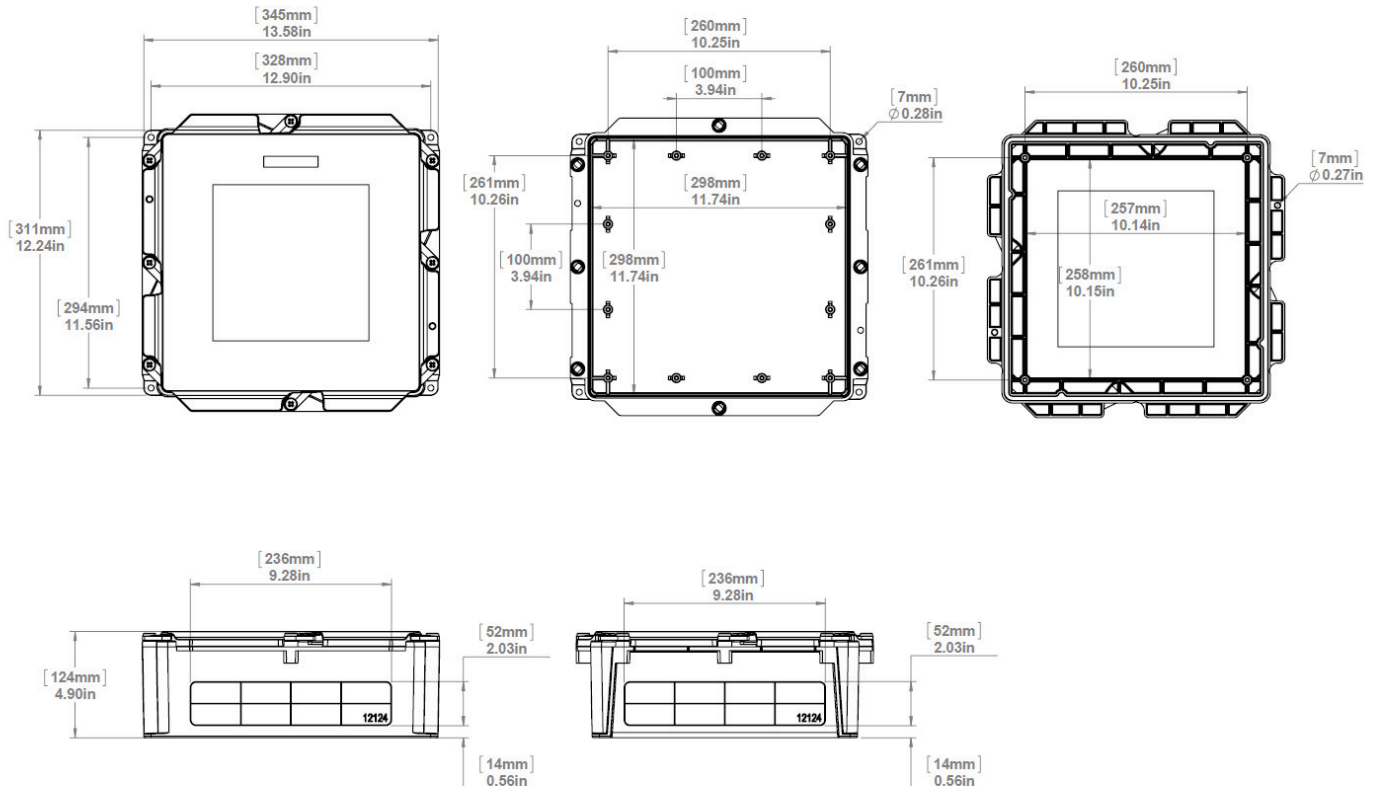
FASTENER TOOL

#2 Phillips screwdriver

PACKAGING

Carton Quantity: 2

Carton Weight: 14 lbs



Scepter Junction Box

JBX12126 | 277009

Junction boxes form an integral part of a circuit protection system and are constructed to provide a degree of protection to personnel against incidental contact with the enclosed equipment and to provide a degree of protection to the enclosed equipment against specified environmental conditions. JBX boxes are molded of PVC, are entirely non-metallic and provide NEMA Type 1, 2, 3R, 4, 4X, 6, 6P, 12, 13 protection.


APPLICATION / USE

JBX junction boxes are intended for installation within a rigid non-metallic conduit system (PVC) or for use independently. Designed and approved for use in both indoor and outdoor applications, JBX junction boxes allow for accessibility for installation of wire and cable in continuous lengths and to enclose joints and splices. JBX junction boxes can also be used to enclose electrical equipment in non-hazardous locations.

MATERIAL

PVC, Valox, IPEX gasket

STANDARDS

UL 50/50E, CSA 94.1/94.2,  CSA C22.2 No.85, CSA C22.2 No.40

BOX VOLUME

822.21 cu.in/13,474 ml

NEMA

Type 1, 2, 3R, 4, 4X, 6, 6P, 12, 13

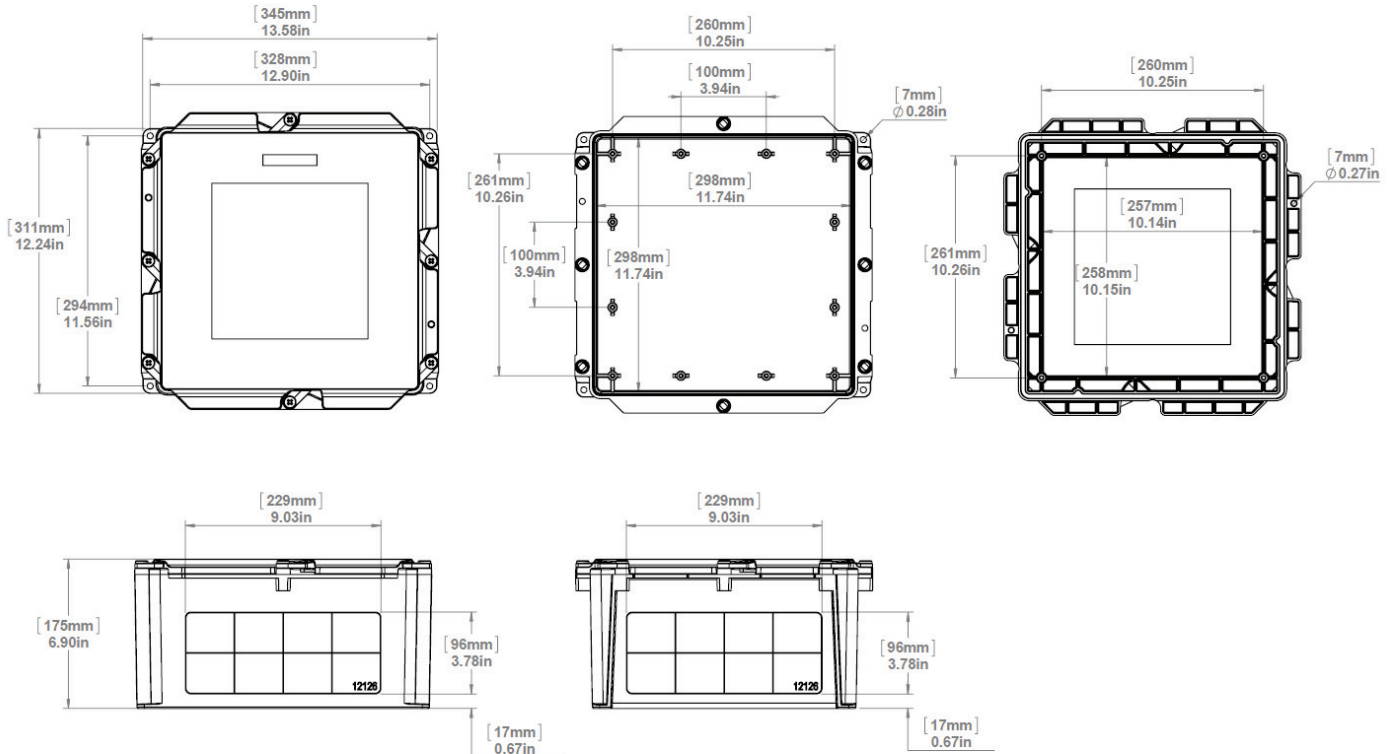
FASTENER TOOL

#2 Phillips screwdriver

PACKAGING

Carton Quantity: 4

Carton Weight: 32 lbs



Scepter Junction Box

JBX12128 | 277010

Junction boxes form an integral part of a circuit protection system and are constructed to provide a degree of protection to personnel against incidental contact with the enclosed equipment and to provide a degree of protection to the enclosed equipment against specified environmental conditions. JBX boxes are molded of PVC, are entirely non-metallic and provide NEMA Type 1, 2, 3R, 4, 4X, 6, 6P, 12, 13 protection.


APPLICATION / USE

JBX junction boxes are intended for installation within a rigid non-metallic conduit system (PVC) or for use independently. Designed and approved for use in both indoor and outdoor applications, JBX junction boxes allow for accessibility for installation of wire and cable in continuous lengths and to enclose joints and splices. JBX junction boxes can also be used to enclose electrical equipment in non-hazardous locations.

MATERIAL

PVC, Valox, IPEX gasket

STANDARDS

UL 50/50E, CSA 94.1/94.2,  CSA C22.2 No.85, CSA C22.2 No.40

BOX VOLUME

1,092.9 cu.in/17,909 ml

NEMA

Type 1, 2, 3R, 4, 4X, 6, 6P, 12, 13

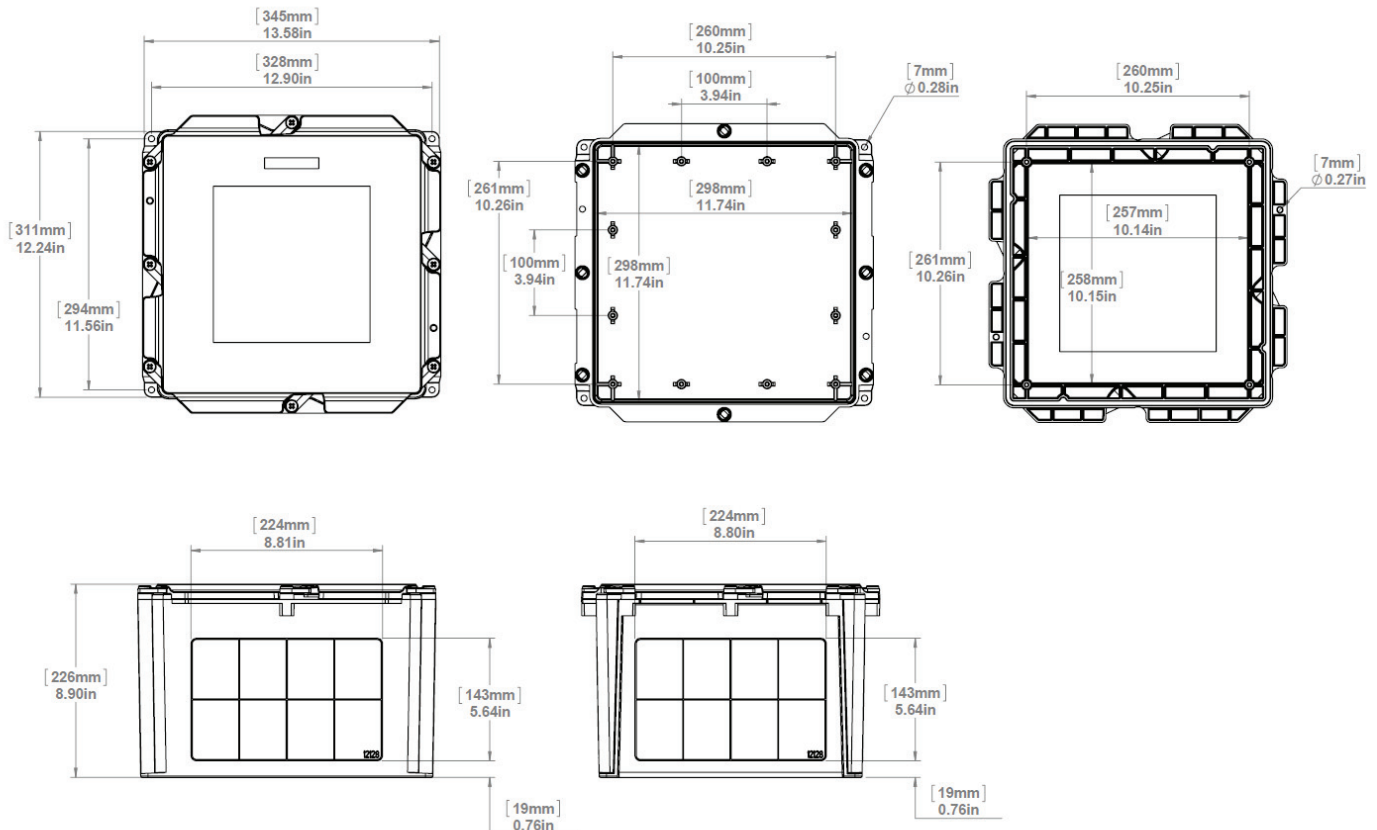
FASTENER TOOL

#2 Phillips screwdriver

PACKAGING

Carton Quantity: 3

Carton Weight: 28 lbs



Junction Box: Pole Mounting Kit

PMK4-12 | 077940

The PMK4-12 pole mount kit facilitates a quick and easy installation of a JBX junction box onto a pole, such as an outdoor utility power pole.

APPLICATION / USE

The PMK4-12 pole mount kit is specifically designed for use with Scepter JBX junction boxes. This universal kit accommodates junction box sizes 442 to 12128 for the secure attachment of JBX boxes to all types of poles. The PMK4-12 kit is shipped with two identical sets of brackets with all hardware for fastening to the JBX box and two sets of metal straps for securing to the pole. The PMK4-12 can be used on wooden, concrete, steel and fiberglass poles of round, square and octagonal shape up to 15" in diameter. The brackets are constructed of plated galvanized steel and supplied with stainless steel hardware and straps providing robustness and are suitable for indoor or outdoor installations.

MATERIAL

Galvanized steel, stainless steel

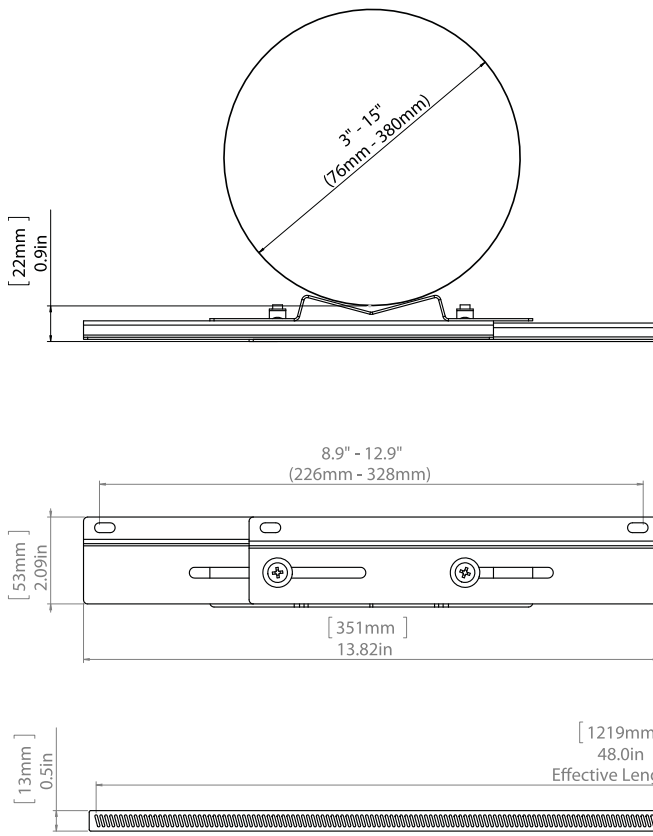
FASTENER TOOLS

#2 Phillips screwdriver
Ratchet
M10 (3/8") box wrench
M8 (5/16") socket

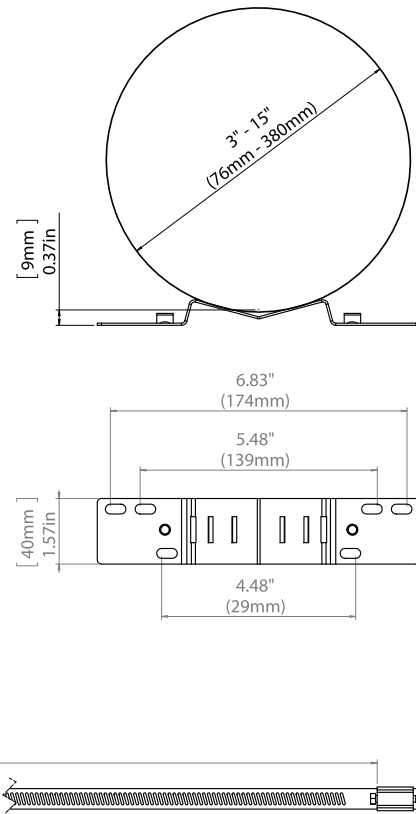
PACKAGING

Carton Quantity: 10
Carton Weight: 5.1 lbs

For Mounting 8" & 12" JBX



For Mounting 4" to 6" JBX



Junction Box: Back Panels

BP88CSW | 077861

Back Panels of the appropriate size are available to fit the Scepter JBox in the 8 x 8 size and larger. IPEX back panels are made of 14 gauge carbon steel and have a white epoxy powder coat finish. Panels have pre-drilled holes that correspond to the mounting posts in the Scepter JBox to be easily attached using Pan Head #10 X 1/2" thread forming screws.

APPLICATION / USE

JBX junction boxes can be used to enclose electrical equipment in non-hazardous locations. Back panels provide a means for mounting devices and equipment in an enclosure without compromising the NEMA rating of the enclosure.

MATERIAL

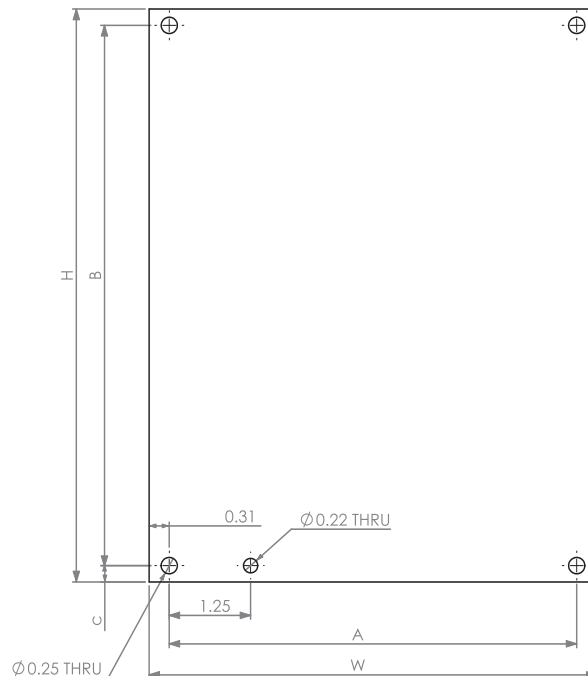
#14 gauge carbon steel,
white epoxy powder coat

FASTENER

Pan Head #10 X 1/2"
thread-forming screw

PACKAGING

Carton Quantity: 10
Carton Weight: 18 lbs.



Trade Size	Part No.	Product Code	Dimensions (inches)				
			W	H	A	B	C
8 x 10	BP88CSW	077861	6.88	8.75	6.26	8.25	0.25

Junction Box: Back Panels

BP1212CSW | 077865

Back Panels of the appropriate size are available to fit the Scepter JBox in the 8 x 8 size and larger. IPEX back panels are made of 14 gauge carbon steel and have a white epoxy powder coat finish. Panels have pre-drilled holes that correspond to the mounting posts in the Scepter JBox to be easily attached using Pan Head #10 X 1/2" thread forming screws.

APPLICATION / USE

JBX junction boxes can be used to enclose electrical equipment in non-hazardous locations. Back panels provide a means for mounting devices and equipment in an enclosure without compromising the NEMA rating of the enclosure.

MATERIAL

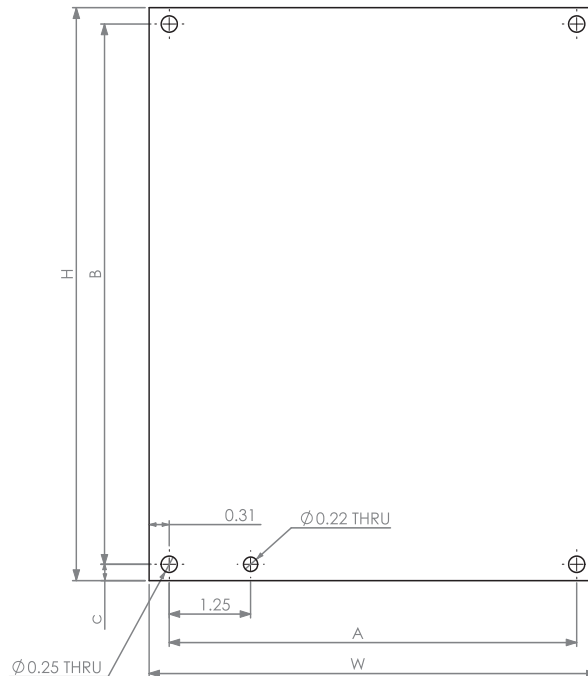
#14 gauge carbon steel,
white epoxy powder coat

FASTENER

Pan Head #10 X 1/2"
thread-forming screw

PACKAGING

Carton Quantity: 5
Carton Weight: 16 lbs



Trade Size	Part No.	Product Code	Dimensions (inches)				
			W	H	A	B	C
12 x 12	BP1212CSW	077865	10.88	10.75	10.26	10.25	0.25

