

Twist-Lock® Devices 20A, 250V AC, 2 Pole, 3 Wire Grounding Single Flush Receptacle

HUBBELL

Features

- Insulation barrier construction isolates ground contact from mounting strap
- Wire restraint recess for both back and side wiring, greatly reduces the possibility of loosening the terminal connection
- High-impact, abuse-resistant nylon face
- All-brass mounting and grounding system provides a lower resistance ground path and greater resistance to corrosion than steel mounting systems



Ordering Information

Description	Device Color	UPC	Catalog Number
Isolated ground, nylon face.	Orange	783585872223	IG2320

Listings

Listed to UL 498
Fed.Spec. W-C-596
Certified to CSA C22.2 No.42

Specifications

Face	Nylon
Base	RTP
Contacts	Brass
Terminal Screws	#10 - 32 Brass
Mounting Strap	Brass

Performance

Electrical

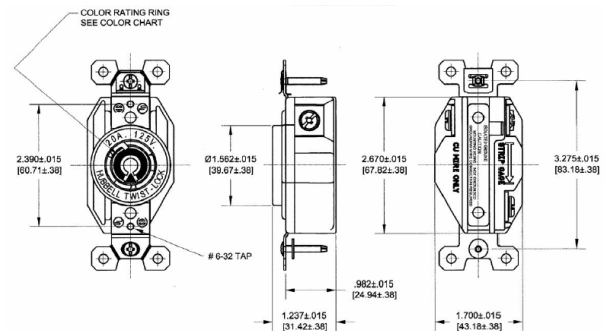
Current Interrupting	Certified for current interrupting at full rated current
Dielectric Voltage	Withstands 2,000V minimum

Mechanical

Flammability	V2 or better per UL94/CSA 22.2 No.0.17
Terminal Accommodation	#16 AWG - #8 AWG solid or stranded copper wire.
Terminal Identification	Terminals identified in accordance with UL 498

Environmental

Moisture Resistance	IP20 Suitability
Operating Temperatures	Maximum Continuous 75°C; Minimum -40°C (w/o impact)



Accessories

Plug	HBL2321
Wallplate or Weatherproof Cover	1.60" Opening

Resources

Customer Use Drawing
eCatalog

Dimensions in Inches (mm)

Hubbell Wiring Device-Kellems • Hubbell Incorporated (Delaware) • 40 Waterview Drive • Shelton, CT 06484

Phone (800) 288-6000 • Fax (800) 255-1031 • Specifications subject to change without notice.

