

Straight Blade Devices  
Accessories  
Weatherproof Lift Covers

# HUBBELL

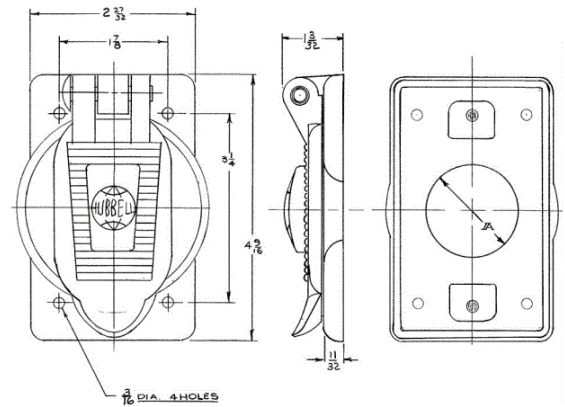
## Ordering Information

Description	Device Color	UPC	Catalog Number
Cast aluminum for FS/FD box mounting for 30A	Aluminum	783585809564	HBL9420



## Specifications

Face Diameter	2.09–2.13 in. (53.1–54.1)
---------------	---------------------------



## Resources

[Customer Use Drawing](#)  
[eCatalog](#)

Dimensions in Inches (mm)

Hubbell Wiring Device-Kellems • Hubbell Incorporated (Delaware) • 40 Waterview Drive • Shelton, CT 06484

Phone (800) 288-6000 • Fax (800) 255-1031 • Specifications subject to change without notice.

