

Straight Blade Devices
Accessories
Weatherproof Lift Covers

HUBBELL

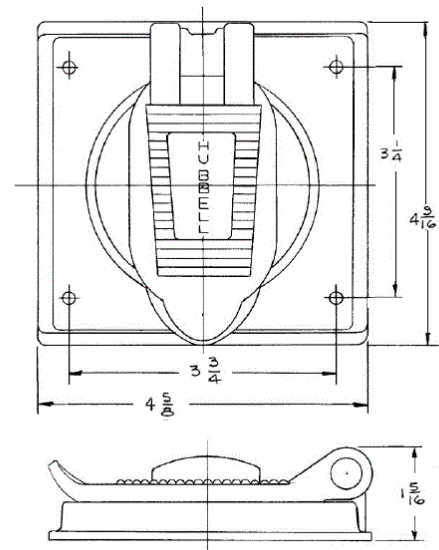
Ordering Information

Description	Device Color	UPC	Catalog Number
RTP, gray, lift cover plate. Will fit FS/FD boxes having plate mounting	Gray	783585809540	HBL7777A



Specifications

Face Diameter	2.28 - 2.44 in. (57.9 - 62.0)
---------------	-------------------------------



Resources

[Customer Use Drawing](#)
[eCatalog](#)

Dimensions in Inches (mm)

Hubbell Wiring Device-Kellems • Hubbell Incorporated (Delaware) • 40 Waterview Drive • Shelton, CT 06484

Phone (800) 288-6000 • Fax (800) 255-1031 • Specifications subject to change without notice.

