

Twist-Lock® Devices  
Accessories  
Weatherproof Cover

# HUBBELL

## Features

- Gray polycarbonate spring-loaded lift cover for weather proofing HBL26CM10 receptacle
- Gray thermoplastic, for FS/FD box mounting, corrosion resistant
- Meets the most stringent requirements of UL's three listing categories for weatherproof plates
- Single receptacle (1.56") cover plate, weatherproof

## Ordering Information

Description	Cord Diameter	UPC	Catalog Number
1-Gang, 1.60" Opening, FS/FD Mount, Gray Polycarbonate		783585809465	HBL7425WOA



## Listings

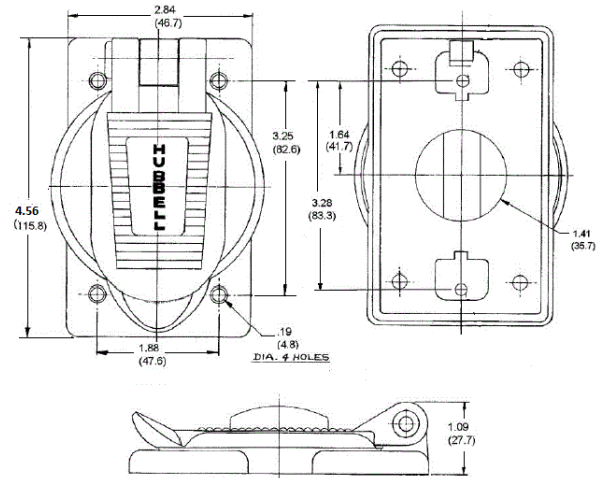
Listed to UL Standard  
Certified to CSA Standard

## Specifications

Face Diameter	2.15" (54.6)
Weight	0.3

## Performance

Environmental	
Moisture Resistance	IP44



## Accessories

Receptacle Accommodation	1.55" to 1.58" Face Boss
--------------------------	--------------------------

## Resources

Customer Use Drawing  
eCatalog

Dimensions in Inches (mm)

Hubbell Wiring Device-Kellems • Hubbell Incorporated (Delaware) • 40 Waterview Drive • Shelton, CT 06484

Phone (800) 288-6000 • Fax (800) 255-1031 • Specifications subject to change without notice.

