

Straight Blade Devices
Accessories
Weatherproof Cover

HUBBELL

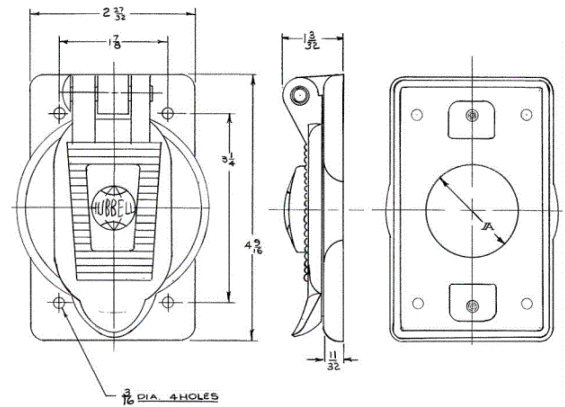
Ordering Information

Description	Color	UPC	Catalog Number
1-Gang, 1.40" Opening, FS/FD Mount, Cast Aluminum	Aluminum	783585809434	HBL7420



Specifications

Product Type	Weatherproof Cover
Material	Cast aluminum



Accessories

Receptacle Accommodation	1.36" to 1.39" or 1.55" to 1.58" Face Boss
--------------------------	--

Resources

Customer Use Drawing
eCatalog

Dimensions in Inches (mm)

Hubbell Wiring Device-Kellems • Hubbell Incorporated (Delaware) • 40 Waterview Drive • Shelton, CT 06484

Phone (800) 288-6000 • Fax (800) 255-1031 • Specifications subject to change without notice.

