

Straight Blade Devices
Accessories
Weatherproof Cover

HUBBELL

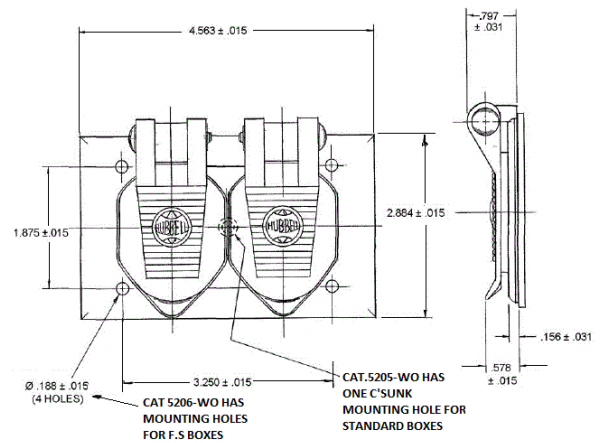
Ordering Information

Description	Device Color	UPC	Catalog Number
Cast Aluminum, Duplex Opening, Standard Box Mount, Horizontal	Aluminum	783585809137	HBL5205WO



Specifications

Product Type	Weatherproof Cover
Material	Cast aluminum



Accessories

Receptacle Accommodation	Duplex Face Boss
--------------------------	------------------

Resources

Customer Use Drawing
eCatalog

Dimensions in Inches (mm)

Hubbell Wiring Device-Kellems • Hubbell Incorporated (Delaware) • 40 Waterview Drive • Shelton, CT 06484

Phone (800) 288-6000 • Fax (800) 255-1031 • Specifications subject to change without notice.

