

Straight Blade Devices
Accessories
Weatherproof Cover

HUBBELL

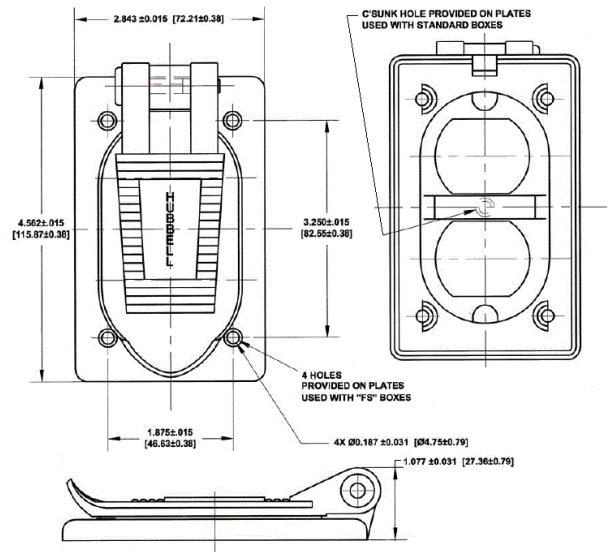
Ordering Information

Description	Device Color	UPC	Catalog Number
Yellow Polycarbonate, Duplex Opening, FS/FD Mount, Vertical	Yellow	783585809113	HBL52CM21



Specifications

Product Type	Weatherproof Cover
Material	Reinforced thermoplastic polyester



Accessories

Receptacle Accommodation	Duplex Face Boss
--------------------------	------------------

Resources

Customer Use Drawing	eCatalog
----------------------	----------

Dimensions in Inches (mm)

Hubbell Wiring Device-Kellems • Hubbell Incorporated (Delaware) • 40 Waterview Drive • Shelton, CT 06484

Phone (800) 288-6000 • Fax (800) 255-1031 • Specifications subject to change without notice.

