

Hubbellock® Devices  
30 Amp Hubbellock® Accessories  
Weatherproof Cover

# HUBBELL

## Features

- Cast aluminum weatherproof, lift cover plate

## Ordering Information

Description	Device Color	UPC	Catalog Number
Weatherproof Cover, 2.05" Opening, Cast Aluminum	Cast Aluminum	783585808956	HBL20405

## Listings

Listed to UL Standard  
Certified to CSA Standard

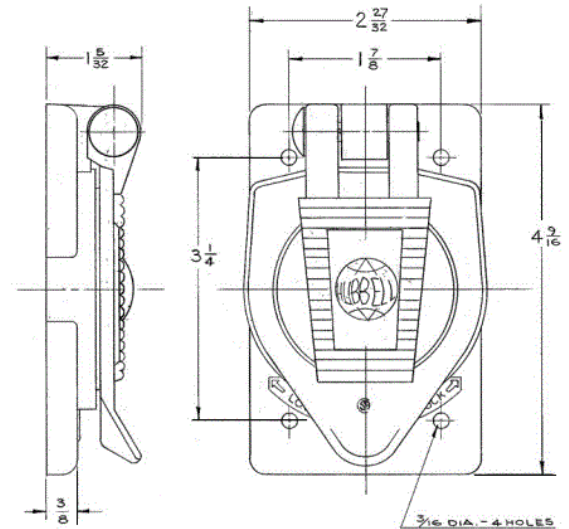
## Specifications

Weight	0.4
--------	-----

## Performance

### Environmental

Moisture Resistance	IP44
---------------------	------



## Accessories

Receptacle Accommodation	30A Hubbellock®
--------------------------	-----------------

## Resources

Customer Use Drawing  
eCatalog

Dimensions in Inches (mm)

Hubbell Wiring Device-Kellems • Hubbell Incorporated (Delaware) • 40 Waterview Drive • Shelton, CT 06484

Phone (800) 288-6000 • Fax (800) 255-1031 • Specifications subject to change without notice.

