

Twist-Lock® Devices 15A, 250V, 2 Pole, 3 Wire Grounding Receptacle

HUBBELL

Features

- Reinforced thermoplastic construction
- Single piece, all brass contacts
- All terminals are back and side wired
- Brass mounting strap with stainless steel grounding clip



15A 250V
NEMA L6-15R
UL/CSA



Ordering Information

Description	Device Color	UPC	Catalog Number
Single, flush, black nylon face	Black	783585236605	HBL4560

Listings

Listed to UL 498
Fed. Spec. W-C-596
Certified to CSA C22.2 No.42

Specifications

Face	RTP
Base	RTP
Contacts	Brass
Clamp	Brass
Ground Contact	Brass
Terminal Screws	Brass

Performance

Electrical

Current Interrupting Certified for current interrupting at full rated current
Dielectric Voltage Withstands 2,000V minimum

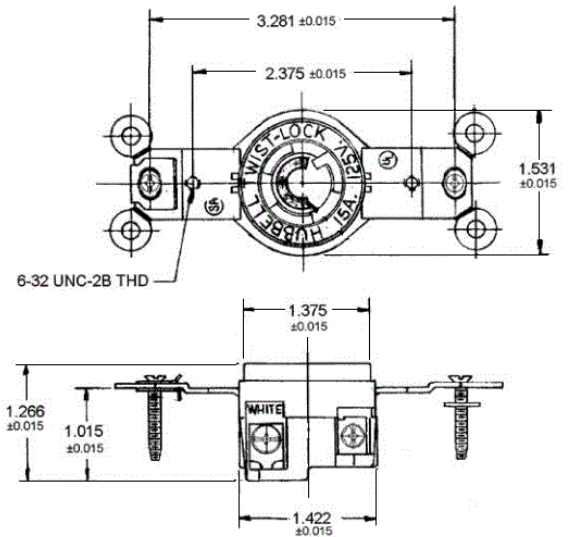
Mechanical

Terminal Accommodation #18 AWG - #10 AWG solid or stranded copper wire only.

Terminal Identification Terminals identified in accordance with UL 498

Environmental

Flammability HB or better per UL94/CSA 22.2 No.0.17
Operating Temperatures Maximum Continuous 75°C; Minimum -40°C (w/o impact)



Accessories

Plug HBL4570C
Wallplate or Weatherproof Cover 1.40" Opening

Resources

Customer Use Drawing
eCatalog

Dimensions in Inches (mm)

Hubbell Wiring Device-Kellems • Hubbell Incorporated (Delaware) • 40 Waterview Drive • Shelton, CT 06484

Phone (800) 288-6000 • Fax (800) 255-1031 • Specifications subject to change without notice.

