

# Twist-Lock® Devices 20A, 250V AC, 2 Pole, 3 Wire Grounding Watertight Safety-Shroud® Receptacle

# HUBBELL

## Features

- UL type 4X environmental seal while in use and when closed
- High impact, thermoplastic housing for heavy-duty industrial environments
- Alignment arrows with lock and unlock symbols provide a visual indication that devices are properly connected
- Catalog number and color coded voltage rating are visible even when in use



## Ordering Information

Description	Device Color	UPC	Catalog Number
PBT housing and flange.	Gray	783585231082	HBL2320SW

## Listings

Listed to UL 498  
Fed.Spec. W-C-596  
Certified to CSA C22.2 No.42  
UL Listed, CSA Certified to Type 4, 4X and Type 12

## Specifications

Housing / Cover	Gray RPT
Terminal Retainer	Clear polycarbonate
Body Contact Carrier	Natural (white) nylon
Drive Screws	Steel, zinc plated
Contacts	Brass
Lift-Cover Spring & Pin	Stainless Steel

## Performance

### Electrical

Current Interrupting	Certified for current interrupting at full rated current
Dielectric Voltage	Withstands 2,000V minimum

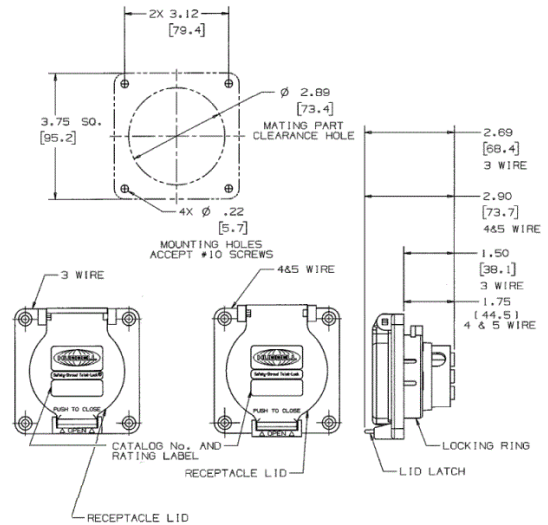
### Mechanical

Terminal Accommodation	#16 AWG - #8 AWG solid or stranded copper wire only.
------------------------	--

Terminal Identification	Terminals identified in accordance with UL 498
-------------------------	--

### Environmental

Flammability	V2 or better per UL94/CSA 22.2 No.0.17
Moisture Resistance	IP20 Suitability
Operating Temperatures	Maximum Continuous 75°C; Minimum -40°C (w/o impact)



## Accessories

Watertight Safety Shroud Plug	HBL2321SW
Non-Metallic Backbox	BB2030N
2-Gang Weatherproof Box	HBL2030AP
Adapter Plate	
Mechanical Interlock	HBLMITL

## Resources

Customer Use Drawing  
eCatalog

Dimensions in Inches (mm)

Hubbell Wiring Device-Kellems • Hubbell Incorporated (Delaware) • 40 Waterview Drive • Shelton, CT 06484

Phone (800) 288-6000 • Fax (800) 255-1031 • Specifications subject to change without notice.

