

Straight Blade Devices  
15A, 125V, 2 Pole, 3 Wire Grounding  
Flanged Inlets

# HUBBELL

## Features

- Stainless steel flange
- Miniature style
- Mounting screws included

## Ordering Information

Description	Device Color	UPC	Catalog Number
Stainless steel flange, phenolic body, miniature style	Brown	783585013138	HBL5240

## Listings

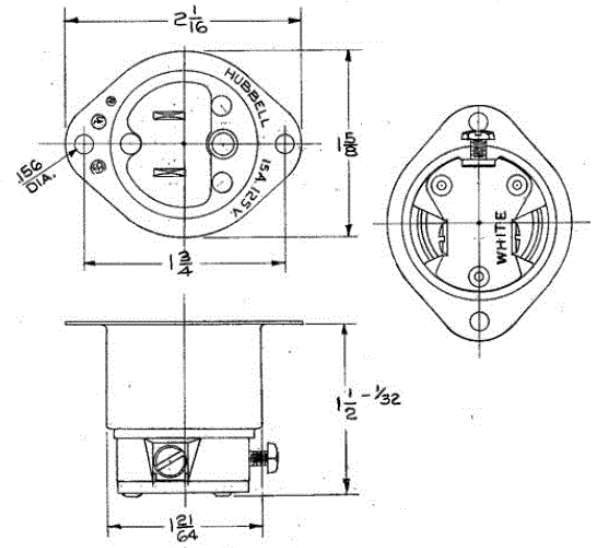
UL Listed, File E2186  
Certified to CSA, C22.2, No. 42  
NEMA® WD-6 Compliant

## Specifications

Face	Phenolic
Blades	.040" (1.0) Brass
Terminal Screw	#5-40 Brass, straight
Mounting Screw	Nickel plated brass

## Performance

<b>Electrical</b>	
Current Interrupting	Certified for current interrupting at full rated current
Dielectric Voltage	Withstands 2,000V minimum
<b>Mechanical</b>	
Product Identification	Ratings are a permanent part of the device
Terminal Accommodation	#18-#14 AWG copper stranded or solid wire only
Terminal Identification	Terminals identified in accordance with UL 498 and CSA
<b>Environmental</b>	
Flammability	UL 94 V-0
Operating Temperatures	Maximum continuous 75°C; minimum -40°C (w/o impact)



## Resources

Customer Use Drawing  
eCatalog

Dimensions in Inches (mm)

Hubbell Wiring Device-Kellems • Hubbell Incorporated (Delaware) • 40 Waterview Drive • Shelton, CT 06484

Phone (800) 288-6000 • Fax (800) 255-1031 • Specifications subject to change without notice.

