

Twist-Lock® Devices
 15A, 125V, 2 Pole, 3 Wire Grounding
 Isolated Ground Receptacle

HUBBELL

Features

- Reinforced thermoplastic construction
- Single piece, all brass contacts
- Single point break-off tabs
- Mounting strap tabs lock the body and base together



15A 125V
 NEMA L5-15R
 UL/CSA



Ordering Information

Description	Device Color	UPC	Catalog Number
Duplex, isolated ground, flush	Orange	783585002392	IG4700A

Listings

Listed to UL 498
 Fed. Spec. W-C-596
 Certified to CSA C22.2 No.42

Specifications

Face	Nylon
Base	RTP
Contacts	Brass
Clamp	Brass
Ground Contact	Brass
Terminal Screws	Brass

Performance

Electrical

Current Interrupting Certified for current interrupting at full rated current
 Dielectric Voltage Withstands 2,000V minimum

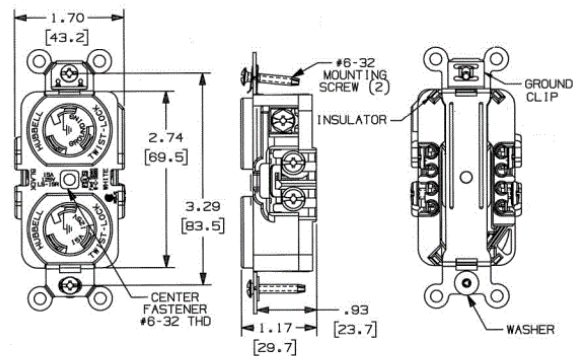
Mechanical

Terminal Accommodation #18 AWG - #10 AWG solid or stranded copper wire.

Terminal Identification Terminals identified in accordance with UL 498

Environmental

Flammability HB or better per UL94/CSA 22.2 No.0.17
 Moisture Resistance IP20 Suitability
 Operating Temperatures Maximum Continuous 75°C; Minimum -40°C (w/o impact)



Accessories

Plug HBL4520C
 Wallplate or Weatherproof Cover Duplex Opening

Resources

Customer Use Drawing
 eCatalog

Dimensions in Inches (mm)

Hubbell Wiring Device-Kellems • Hubbell Incorporated (Delaware) • 40 Waterview Drive • Shelton, CT 06484

Phone (800) 288-6000 • Fax (800) 255-1031 • Specifications subject to change without notice.

