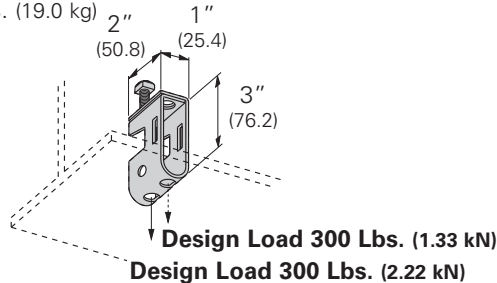


Beam Clamps

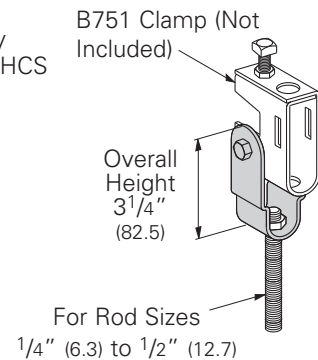
B751 Beam Clamp

- Safety Factor of 5
- 3/4" (19.0) Max. Flange Thickness
- Setscrew and Locknut included
- Maximum ATR Size 1/2"
- Use B753 Swivel Nut (not included)
- Material: 12 Gauge (2.6)
- Standard finish: ZN, HDG
- Wt./C 42 Lbs. (19.0 kg)



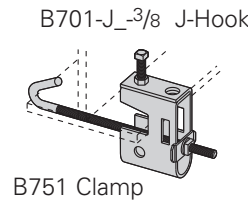
B752 Beam Clamp Swivel

- Design Load 500 Lbs. (2.22 kN)
- Safety Factor of 5
- Material: 12 Gauge (2.6)
- Use B753 Swivel Nut (not included)
- Includes:
 - 1 pc. B752 Swivel Body
 - 1 pc. 5/16"-18 x 1 3/4" HHCS
 - 1 pc. 5/16"-18 Hex Nut
- Standard finish: ZN
- Wt./C 30 Lbs. (13.6 kg)



B751-J_3/8 Beam Clamp Assembly

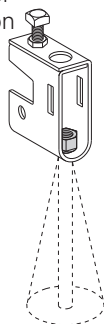
- Includes:
 - 1 pc. B751 Beam Clamp
 - 1 pc. B701 Type J-Hook only
 - 1 pc. SA203-158 Clip
 - 1 pc. 3/8"-16 Hex Nut
- 1/4" (6.3) Diameter J-Hook available upon request
Part Number changes to B751-J_-1/4 and a 1/4-20 Machine Square Nut (MSQN) is used
- Use B753 Swivel Nut (not included)
- Standard finishes: ZN



Part No.	For Flange Width		Wt./C	
	In.	mm	Lbs.	kg
B751-J4-3/8	3"-6"	(76.2-152.4)	70	(31.7)
B751-J6-3/8	5"-9"	(127.0-228.6)	78	(35.4)
B751-J9-3/8	8"-12"	(203.2-304.8)	83	(37.6)
B751-J12-3/8	11"-15"	(279.4-381.0)	88	(39.9)

B753 Swivel Nut

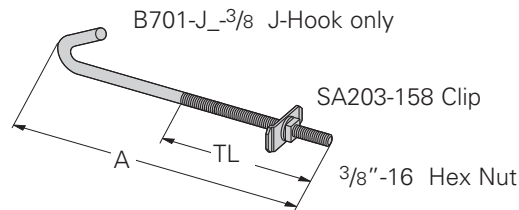
- Provides a full swivel of 15° in any direction
Specify rod size
- Standard finish: ZN



Part No.	For Rod Size	Wt./C	
		Lbs.	kg
B753-3/8	3/8"-16	4.0	(1.8)
B753-1/2	1/2"-13	3.4	(1.5)

B701 Series J-Hook

- 1/4" (6.3) Diameter J-Hook available upon request
Part Number changes to B751-J_-1/4 and a 1/4-20 Machine Square Nut (MSQN) is used
- Standard finish: ZN



Part No.	A		Thread Length TL		Wt./C	
	In.	mm	In.	mm	Lbs.	kg
B701-J4-3/8	8 3/4"	(222.2)	5 1/2"	(139.7)	26	(11.8)
B701-J6-3/8	11 3/4"	(298.4)	6 1/2"	(165.1)	34	(15.4)
B701-J9-3/8	14 3/4"	(374.6)	6 1/2"	(165.1)	41	(18.6)
B701-J12-3/8	17 3/4"	(450.8)	6 1/2"	(165.1)	48	(21.8)