

SKINTOP® GMP-GL




Hexagonal Locknuts for NPT, PG & Metric Connectors

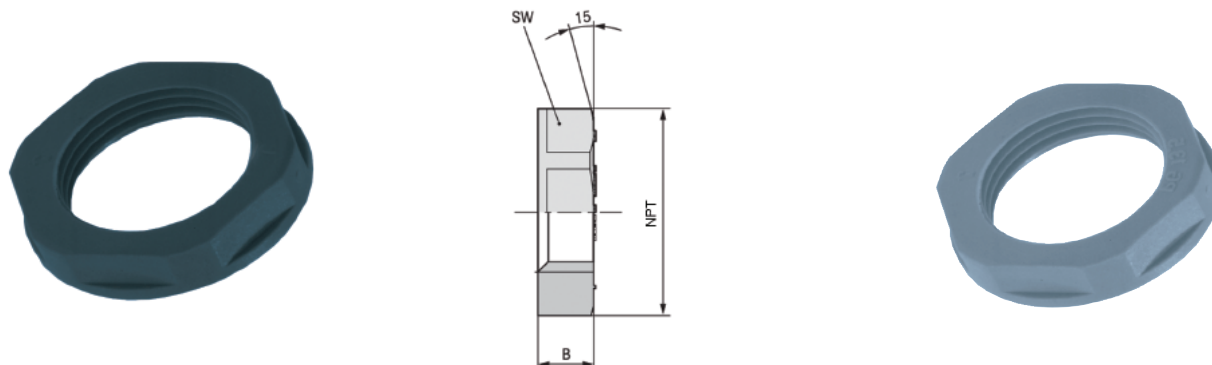


Designed for use with SKINTOP® cable glands with NPT, PG and Metric Threads

Halogen-free metric locknuts are also available.

Technical Data:

 Materials:	Polyamide, glass fiber reinforced
Halogen-Free:	Polyamide UL 94 V0
 Color:	Black (RAL 9005) UV Resistant Gray (RAL 7001) Light Gray (RAL 7035) Halogen-Free
 Temperature range:	-20° C to +100° C



SKINTOP® GMP-GL: NPT Nylon Locknuts

Part Number	Thread Type & Size	SW Wrenching Flats inches	B Nut Thickness inches	Standard Pack Size	Weight 100 pcs. lbs.
911370	NPT-3/8"	0.866	.198"	100	0.05
911371	NPT-1/2"	1.063	.236"	100	0.05
911372	NPT-3/4"	1.417	.276"	50	1.00
911373	NPT-1"	1.654	.276"	50	1.50

* NPT Locknuts- Black only

SKINTOP® GMP-GL: PG Nylon Locknuts

Black Part Number	Gray Part Number	Thread Type & Size	SW Wrenching Flats inches	B Nut Thickness	Standard Pack Size	Weight 100 pcs. lbs.
53019200	53019000	PG-7	0.748	.197	100	0.25
53019210	53019010	PG-9	0.866	.197	100	0.50
53019220	53019020	PG-11	0.945	.197	100	0.50
53019230	53019030	PG-13	1.063	.236	100	0.50
53019240	53019040	PG-16	1.181	.236	100	0.75
53019250	53019050	PG-21	1.417	.276	50	1.00
53019260	53019060	PG-29	1.811	.276	50	1.50
53019270	53019070	PG-36	2.362	.315	25	3.25
53019280	53019080	PG-42	2.559	.315	25	3.25
53019290	53019090	PG-48	2.756	.315	25	3.50

SKINTOP® GMP-GL: Metric Nylon Locknuts

Black Part Number	Gray Part Number	Light Gray Halogen Free Part Number	Thread Type & Size	SW Wrenching Flats inches	B Nut Thickness	Standard Pack Size	Weight 100 pcs. lbs.
53119100	53119000	53119200	M-12X1.5	0.669	.197	100	0.25
53119110	53119010	53119210	M-16X1.5	0.866	.197	100	0.50
53119120	53119020	53119220	M-20X1.5	1.063	.236	100	0.50
53119130	53119030	53119230	M-25X1.5	1.339	.236	100	0.75
53119140	53119040	53119240	M-32X1.5	1.614	.276	100	1.25
53119150	53119050	-	M-40X1.5	1.969	.276	25	1.75
53119160	53119060	-	M-50X1.5	2.362	.315	25	2.00
53119170	53119070	-	M-63X1.5	2.953	.315	25	3.00