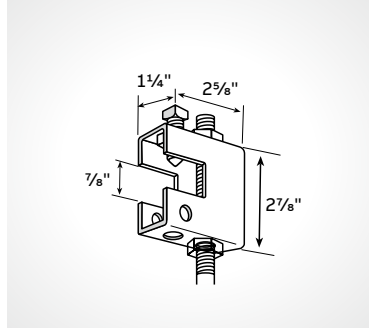


## Superstrut® beam clamps

### Beam clamps & side hanger clips (continued)

01 **U562**

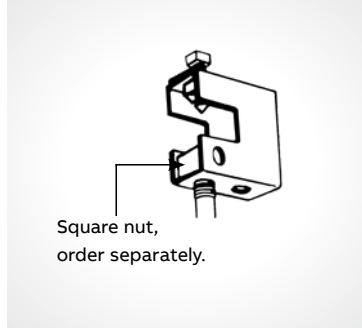
Beam clamp  
 ½" set screw included.  
 Rod Size: ½"  
 Design load 500 lbs.



01

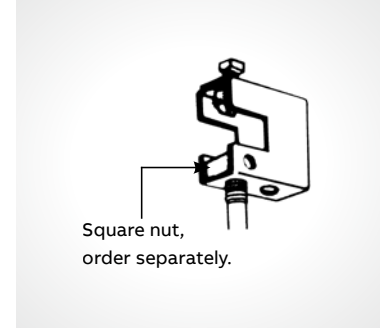
02 **U562**

Beam clamp optional use  
 ½" set screw included.  
 Rod size: ½"  
 Design load 800 lbs.  
 For 20° swivel application, use ES-145-1/2 nut.



Square nut,  
 order separately.

02

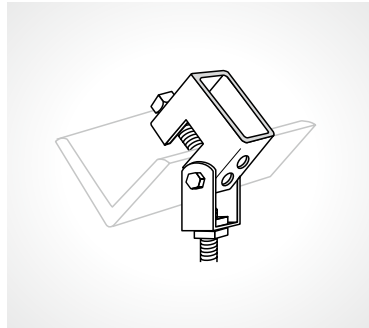


Square nut,  
 order separately.

03

03 **U563**

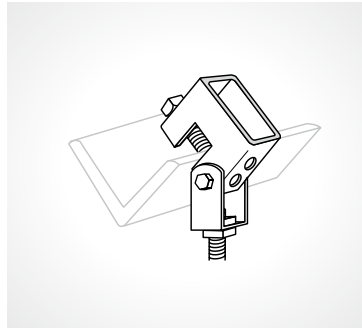
Beam clamp optional use  
 ¾" set screw included. Rod size: ¾"  
 Design load 400 lbs.



04

04 **U563**

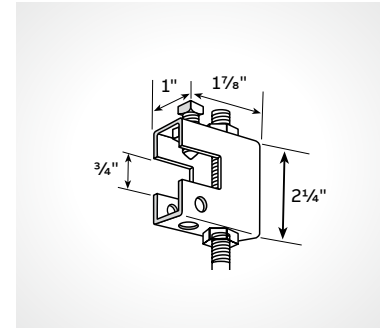
Beam clamp with swing hanger  
 ¾" set screw included.  
 Rod sizes: ¾"  
 Design load 540 lbs.



05

05 **U562**

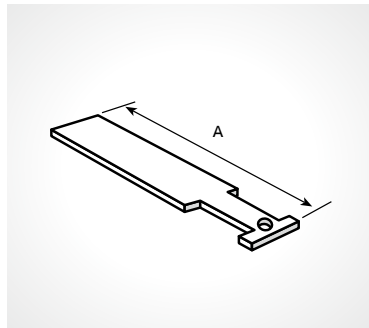
Beam clamp with swing hanger  
 ½" screw included.  
 Rod size: ½"  
 Design load 800 lbs.



06

06 **U563**

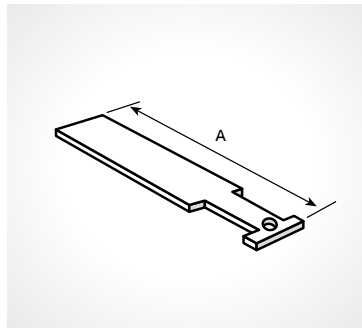
Beam clamp  
 ¾" set screw included.  
 Rod size: ¾"  
 Design load 250 lbs.



07

07 **U-568**

Beam clamp safety strap  
 Standard finish – GoldGalv® brand  
 For U-563 beam clamp.



08

08 **U-568**

Beam clamp safety strap  
 Standard finish – GoldGalv® brand  
 For U-562 beam clamp.