


53112004	DATA SHEET	
Valid from: 03.07.2018	SKINTOP® MS-NPT / MSR-NPT	

The SKINTOP® MS-NPT / MSR-NPT are a nickel-plated brass cable gland with NPT connecting thread which combines high quality with regard to consistency and reliability. This gland is especially designed for use in manufacturing of machinery and plant engineering to measurement and control equipment.



Components:

Gland body	Brass, nickel-plated
Cap nut	Brass, nickel-plated
Insert with lamellar cage	Polyamide
Sealing ring	CR (ozone- und UV-resistent)
O-ring	NBR (ozone- und UV-resistent)

Technical features:

Connecting thread	NPT ¼" up to NPT 2" acc. to ANSI/ASME B1.20.1-1983/1993	
Protection class / NEMA Type Rating	IP68 - 10 bar, test acc. to EN 60529 NEMA Type 1, Type 4X, Type 6 and Type 12 (does not apply for NPT 2")	
Temperature range	Dynamic	-25 °C up to +100 °C
	Statically	-40 °C up to +100 °C
Design	MS-NPT	standard
	MSR-NPT	with reducing sealing ring

Approvals:




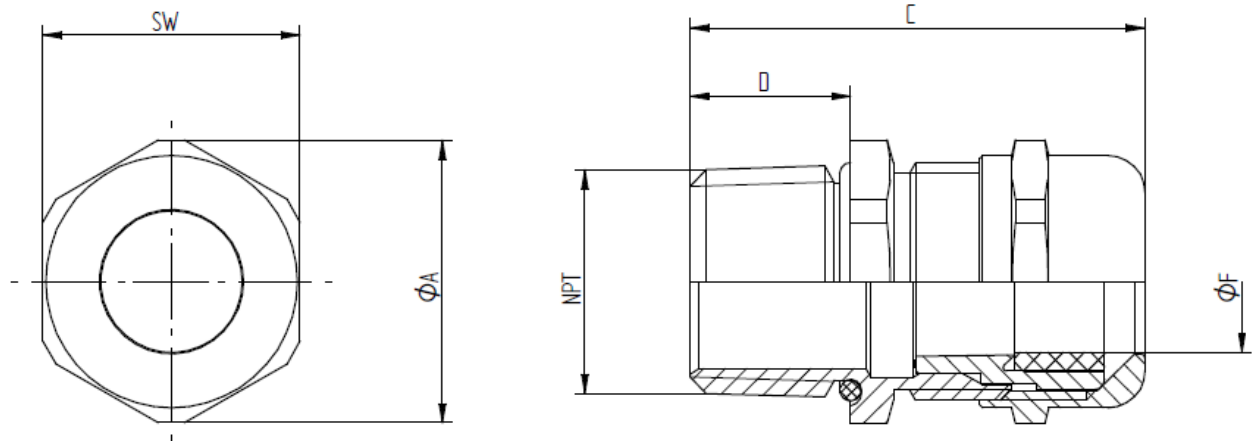
UL File Nr. E79903

Norm references:



Creator: M. Wegerer /PDP Released: DAMU1/PDP	Document: DB53112004EN Version: 06	Page 1 of 2
---	---------------------------------------	-------------

53112004	DATA SHEET	
Valid from: 03.07.2018	SKINTOP® MS-NPT / MSR-NPT	



SKINTOP® MS-NPT

NPT	SW [mm]	Ø A [mm]	C max. [mm]	D [mm]	Ø F [mm] Clamping range	O-Ring [mm]	Article No.
NPT 1/4"	16	17,6	36,0	15	3,5-7	9x2	53112004
NPT 3/8"	20	22,0	39,7	15	4,5-9	13x2	53112014
NPT 1/2"	24	26,4	42,5	15	7-12,5	17x2	53112024
NPT 3/4"	29	31,9	44,5	15	9-16,5	22x2	53112034
NPT 1"	36	39,6	49,0	15	11-21	28x2	53112044
NPT 1 1/4"	45	49,5	57,5	17	19-28	36x2,5	53112054
NPT 1 1/2"	54	59,0	61,5	17	27-35	43x2,5	53112064
NPT 2"	67	73,5	63,5	17	34-45	54x2,5	53112074

SKINTOP® MSR-NPT

NPT	SW [mm]	Ø A [mm]	C max. [mm]	D [mm]	Ø F [mm] Clamping range	O-Ring [mm]	Article No.
NPT 1/4"	16	17,6	36,0	15	1-5	9x2	53112006
NPT 3/8"	20	22,0	39,7	15	2-7	13x2	53112016
NPT 1/2"	24	26,4	42,5	15	5-10	17x2	53112026
NPT 3/4"	29	31,9	44,5	15	6-13	22x2	53112036
NPT 1"	36	39,6	49,0	15	7-15	28x2	53112046
NPT 1 1/4"	45	49,5	57,5	17	15-23	36x2,5	53112056
NPT 1 1/2"	54	59,0	61,5	17	22-29	43x2,5	53112066
NPT 2"	67	73,5	63,5	17	28-39	54x2,5	53112076

For more information please see our current catalogue. Please do not hesitate to contact our laboratory if there are any questions regarding resistance against aggressive agents and special oil.

Creator: M. Wegerer /PDP Released: DAMU1/PDP	Document: DB53112004EN Version: 06	Page 2 of 2
---	---------------------------------------	-------------