

Ordering Information

Description	UPC	Catalog Number
Back box and adapter for 60, 63, 100 and 125A devices	783585711447	FW6010055

Device Color
Gray



Standards

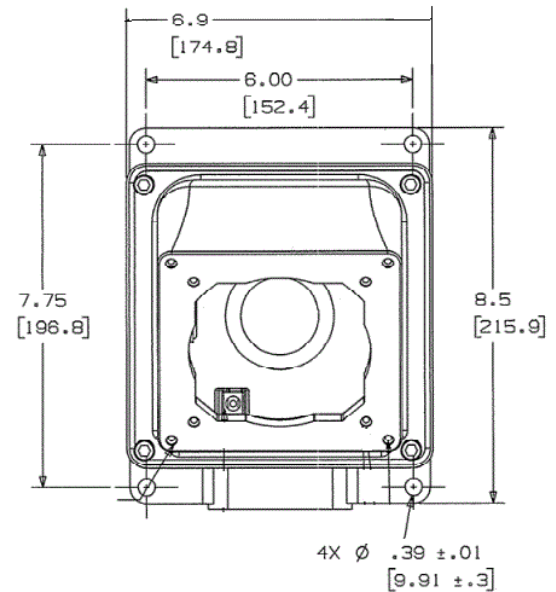
UL Raintight and External Icing Test
CSA Certified

Specifications

Accessory Item	Back box and Adapter
Box Hub Size	1 1/2" NPT
Angle	55 Degrees
IEC Pin & Sleeve Accessory Type	60, 63, 100 and 125A

Performance

Environmental	
Moisture Resistance	IP54 Suitability



Online Resources

Customer Use Drawing
eCatalog
Installation Instructions