

STAR TECK® Teck Cable Fittings

Greater range, fewer part numbers, less inventory. A fitting combination!

STAR TECK EXTREME® DIRECTOR™ Jacketed Metal-Clad and Teck Cable Termination Fittings

Terminating jacketed metal-clad and teck cable can be a time-consuming process, especially when angle adjustments are required. Current termination methods such as 90° elbows and LB conduit bodies take up a lot of space and lack flexibility.

To address these issues, Thomas & Betts introduces the electrical industry's first truly adjustable series of range-taking fittings, the STAR TECK EXTREME® DIRECTOR™.

STAR TECK EXTREME® DIRECTOR™ Cable Fittings are designed for optimum integrity in ordinary applications. They accept a range of jacketed metal-clad and teck cable diameters.

Featuring an exclusive swash-plate design, the STAR TECK EXTREME® DIRECTOR™ Cable Fittings adjust from 90° to 180°. A full circular bore makes cable insertion trouble free. Alignment guides serve as handy reference points for aligning installed fittings at the same angle.

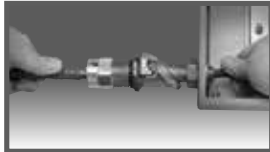
What's more, STAR TECK EXTREME® DIRECTOR™ fittings require no disassembly prior to installation and can also be easily disconnected.

Save Time and Money!

Install



Insert



Rotate

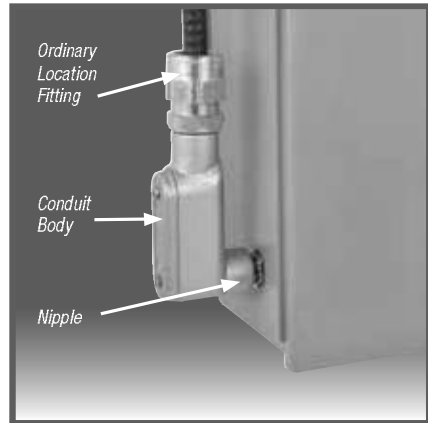


DONE

NEW!

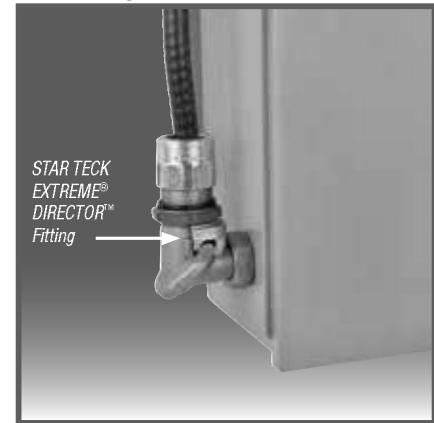


Conventional Method



Multiple components are less flexible and require added space.

Time-Saving Method



One component that can be used at any angle adds flexibility and requires less space.



Turn blue compression nut one-half turn to loosen and rotate hub. Tighten blue compression nut to hold hub in place at desired angle.

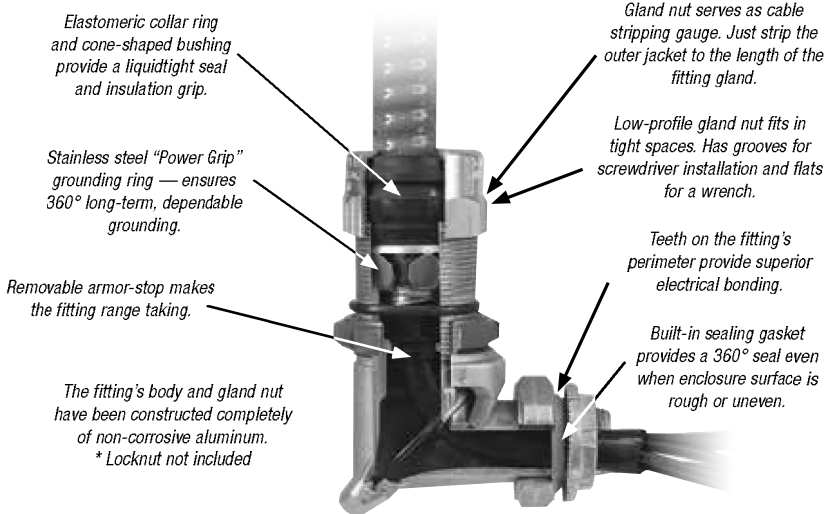
STAR TECK® Teck Cable Fittings

STAR TECK EXTREME® DIRECTOR™ Jacketed Metal-Clad and Teck Cable Termination Fittings (continued)

Inside STAR TECK EXTREME® DIRECTOR™ Cable Fittings



90° to 180° Rotation



Elastomeric collar ring and cone-shaped bushing provide a liquidtight seal and insulation grip.

Stainless steel "Power Grip" grounding ring — ensures 360° long-term, dependable grounding.

Removable armor-stop makes the fitting range taking.

The fitting's body and gland nut have been constructed completely of non-corrosive aluminum.
* Locknut not included

Gland nut serves as cable stripping gauge. Just strip the outer jacket to the length of the fitting gland.

Low-profile gland nut fits in tight spaces. Has grooves for screwdriver installation and flats for a wrench.

Teeth on the fitting's perimeter provide superior electrical bonding.

Built-in sealing gasket provides a 360° seal even when enclosure surface is rough or uneven.

Environment Classification

Meets NEC® Class I Division 2/Zone 2 and Class II Division 2/Zone 22 requirements when installed as per Articles 501.10/505.15 and 502.10/506.15
NEMA Type 4
UL File No. E38947

NEC and National Electrical Code are registered trademarks of the National Fire Protection Association, Inc.

STAR TECK EXTREME® DIRECTOR™ Cable Fittings



CAT. NO.	HUB SIZE (NPT)	GLAND TORQUE (LB.-IN.)	RANGE OVER JACKET (IN.)		RANGE OVER ARMOR (IN.)		THROAT DIA. MIN. (IN.)		OVERALL LENGTH (IN.)
			MIN.	MAX.	MIN.	MAX.	WITH ARMOR STOP	WITHOUT ARMOR STOP	
STED050	½	450	.600	.885	.520	.795	.505	.617	5.375
STED075	¾	600	.860	1.205	.780	1.125	.645	.819	5.875