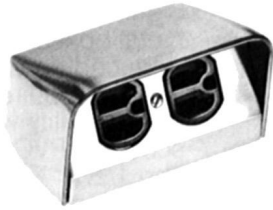


Steel City®

Above Floor Service Fittings

B

Steel City®



SFH-40-RG

SFH-40 Series

- Brushed aluminum finish.
- Low profile design.
- Furnished with 1" conduit nipple.



SFH-50-2RG

SFH-50 Series

- Brushed aluminum finish.
- Interchangeable face plates.
- Furnished with 1" conduit nipple for direct screw-threading into a floor box plate with 1" cover opening.



SFL-10

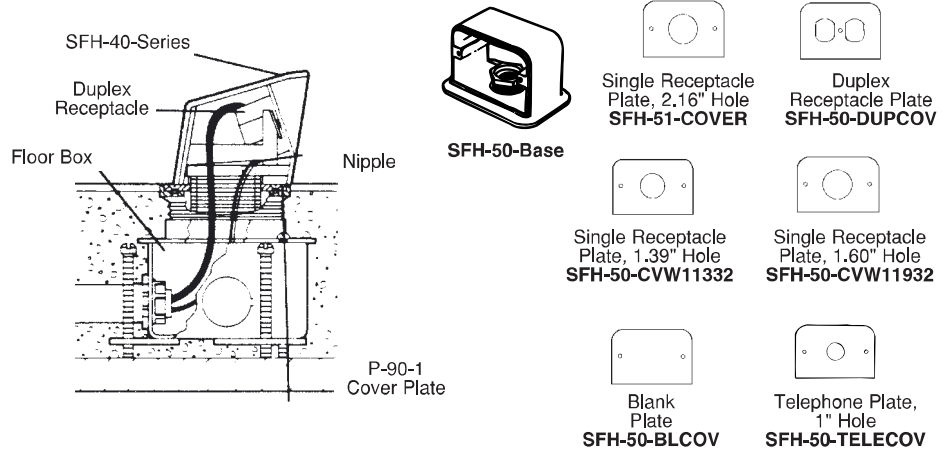
- Brushed aluminum finish.
- Low profile design.
- Furnished with 1" conduit nipple.

Steel City service fittings provide above-floor service for power, communications and data. A variety of service fitting designs are available.



Service Fittings for Power

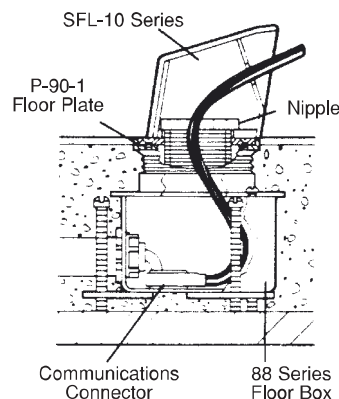
Cat. No.	Description	Finish	Dimensions			Std. Ctn.
			W	D	H	
SFH-40-RG	Furnished with one 15 amp, 125 volt, 3-wire NEMA duplex receptacle	Brushed Aluminum	4 $\frac{3}{8}$ "	3"	2 $\frac{5}{8}$ "	4
SFH-40	Same as SFH-40-RG above less duplex receptacle	Brushed Aluminum	4 $\frac{3}{8}$ "	3"	2 $\frac{5}{8}$ "	4
SFH-50-2RG	Furnished with two back to back 15 amp, 125 volt, 3 wire NEMA duplex receptacles	Brushed Aluminum	5"	3 $\frac{3}{8}$ "	3"	4
SFH-50	Same as SFH-50-2RG less duplex receptacles	Brushed Aluminum	5"	3 $\frac{3}{8}$ "	3"	4
SFH-51	Furnished with cover plate to accommodate one 30 or 50 amp, 240 volt, 3 wire receptacle and blank cover	Brushed Aluminum	5"	3 $\frac{3}{8}$ "	3"	4



Service Fittings for Communications and Data

Cat. No.	Description	Finish	Dimensions			Std. Ctn.
			W	D	H	
SFL-10	$\frac{3}{4}$ " x 1 $\frac{1}{8}$ " bushed opening for telephone or computer	Brushed Aluminum	4 $\frac{3}{8}$ "	3 $\frac{3}{8}$ "	2 $\frac{5}{8}$ "	4

Sample Application



Thomas & Betts