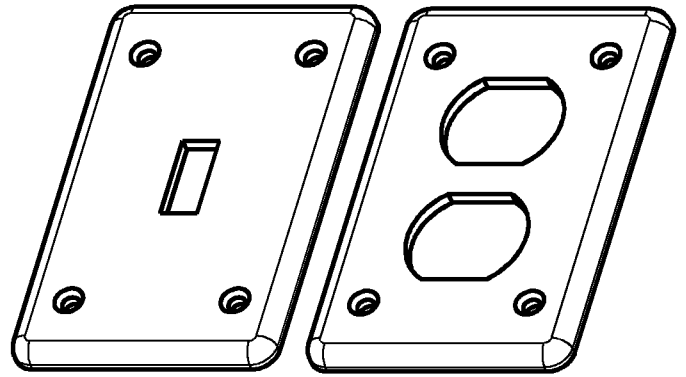


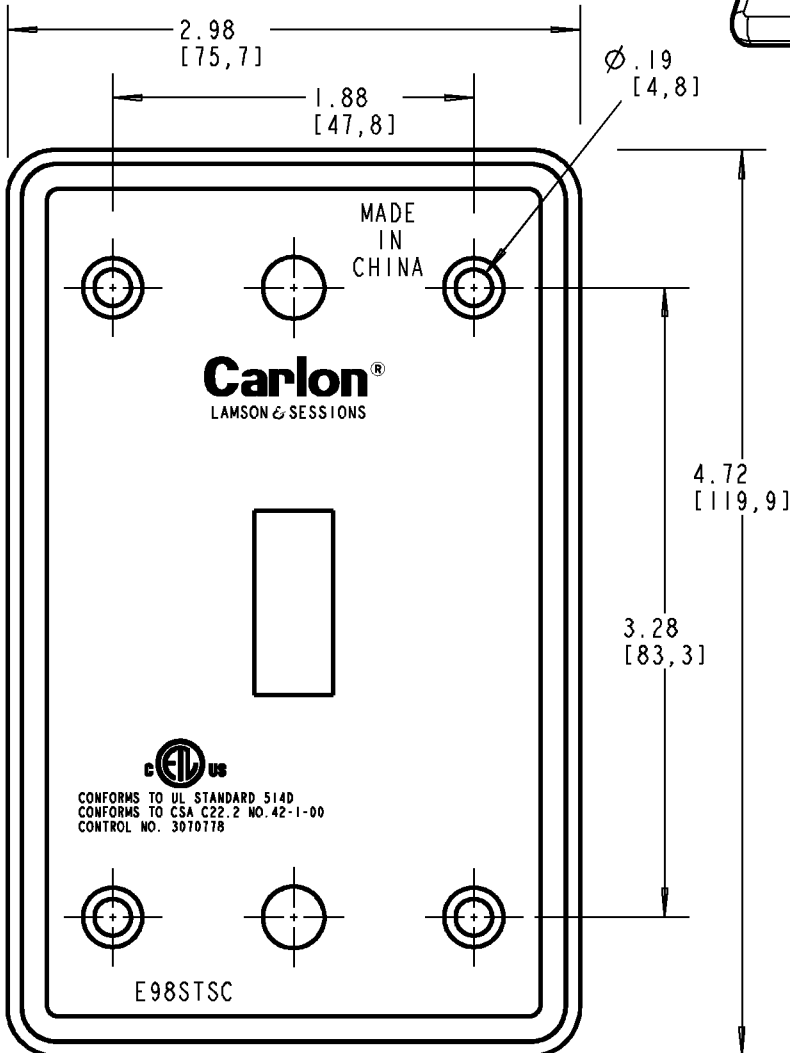
Carlton®

NOTES:

1. EACH COVER TO INCLUDE FOUR #6-32X1/2" LONG FLAT OR OVAL HEAD WITH SLOTTED/PHILLIPS COMBO HEAD NICKEL PLATED STEEL SCREWS TAPED TO THE BACK OF THE COVER.
2. THE COVER AND SCREWS ARE TO BE BAGGED IN A PLASTIC BAG AND A UPC LABEL IS TO BE APPLIED TO THE OUTSIDE OF THE BAG.
3. MATERIAL - GREY PVC

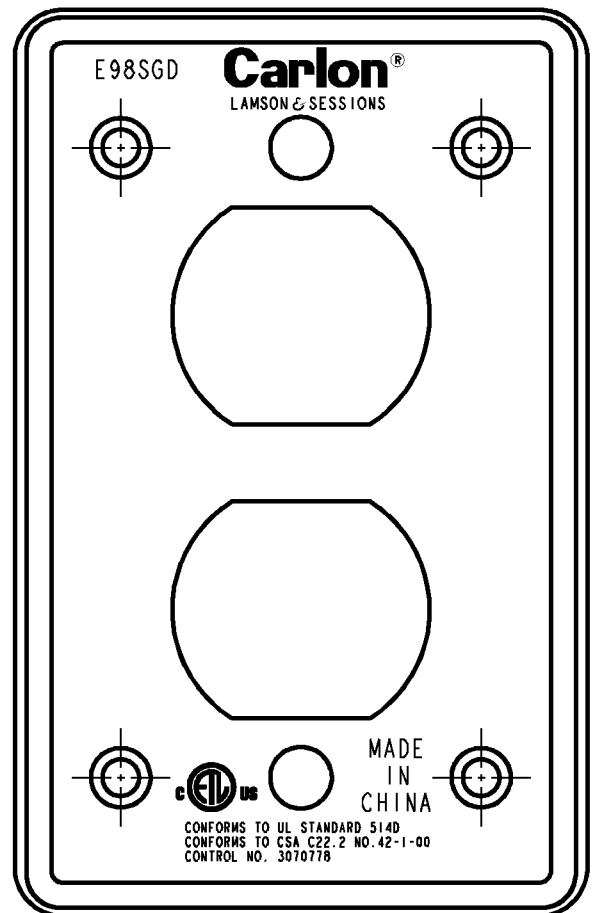


(FRONT VIEW)
SCALE 0.500




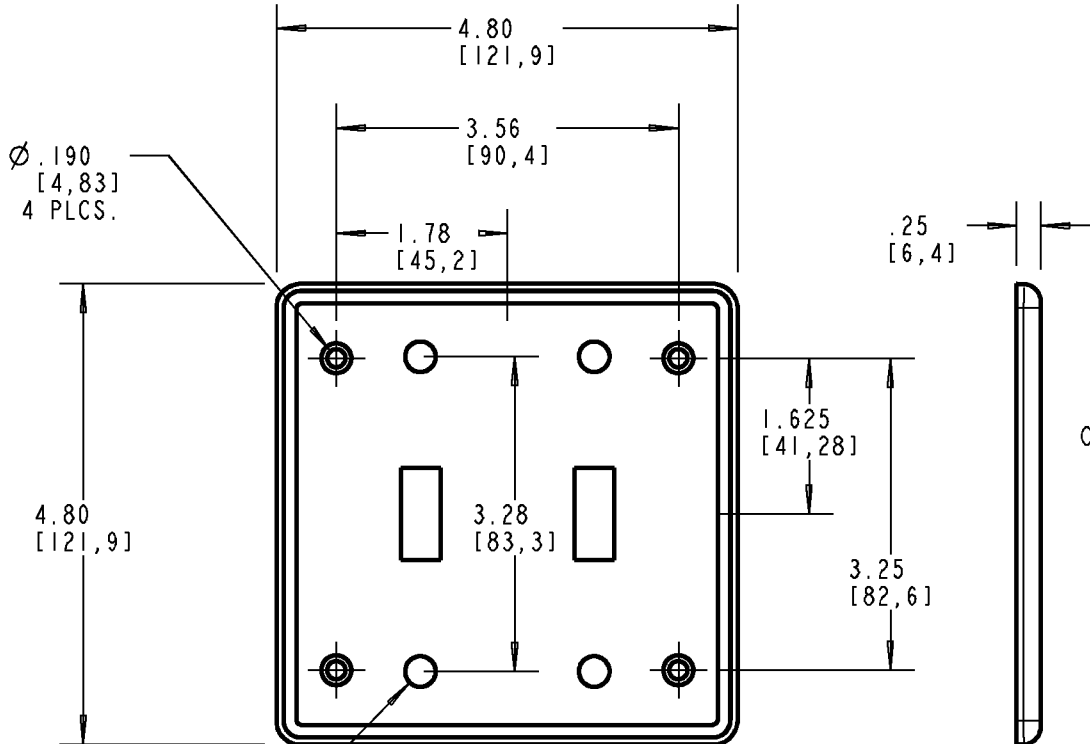
CAT NO.'S: E98STSC
E98STSCR
E98STSCRCL
E98STSCRL

THESE VIEWS SHOW THE BACKSIDE OF THE PLATES CLARIFYING ENGRAVING/IDENTIFICATION



CAT NO.'S: E98SGD
E98SGDR
E98SGDRCL
E98SGDRL

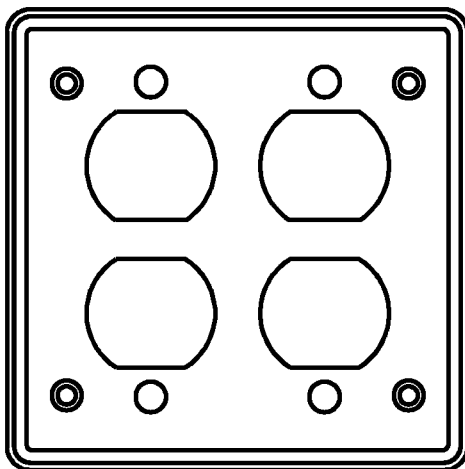
GENERAL NOTES		 A Member of the ABB Group			
1. ALL DIMENSIONS ARE FOR REFERENCE ONLY. 2. DIMENSIONS IN BRACKETS [] ARE IN METRIC UNITS.					
REVISIONS		DESCRIPTION: COVER - SINGLE GANG FS BOX SWITCH PLATE & DUPLEX RECEPTACLE			
1. SEE ERN 2015984 FOR APPROVAL SIGNATURES & RELEASE DATE. PROJECT NO: 5AM000007					
		ORIGINAL PROJECT NO / (ERN NO) 5AM91020 / (201081)	SHEET NO: 1 OF 2	REV. NO: 1	DRAWING NO: WSD-000526



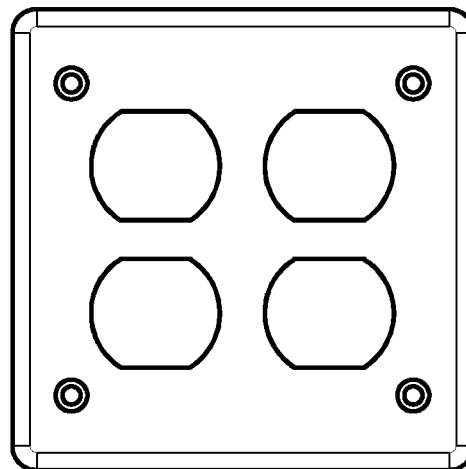
CAT NO.'S: E98DTSC
E98DTSCR
E98DTSCRCL
E98DTSCRL

FOUR (4) RECESSES
FOR SCREW-HEAD
CLEARANCE

NOTE:
THIS VIEW SHOW THE
BACKSIDE OF THE PLATE



BACK OF PLATE



FRONT OF PLATE

CAT NO.'S: E98DGD
E98DGDR
E98DGDRL
E98DGDRL

NOTE:
SEE SHEET #1 FOR INFO
ON SCREWS, PACKAGING.
AND MATERIAL.

www.tnb.com		Thomas & Betts A Member of the ABB Group	
DESCRIPTION: COVER - 2-GANG FS BOX SWITCH PLATE & DUPLEX RECEPTACLE			
SHEET NO: 2 OF 2	REV. NO: 1	DRAWING NO: WSD-000526	