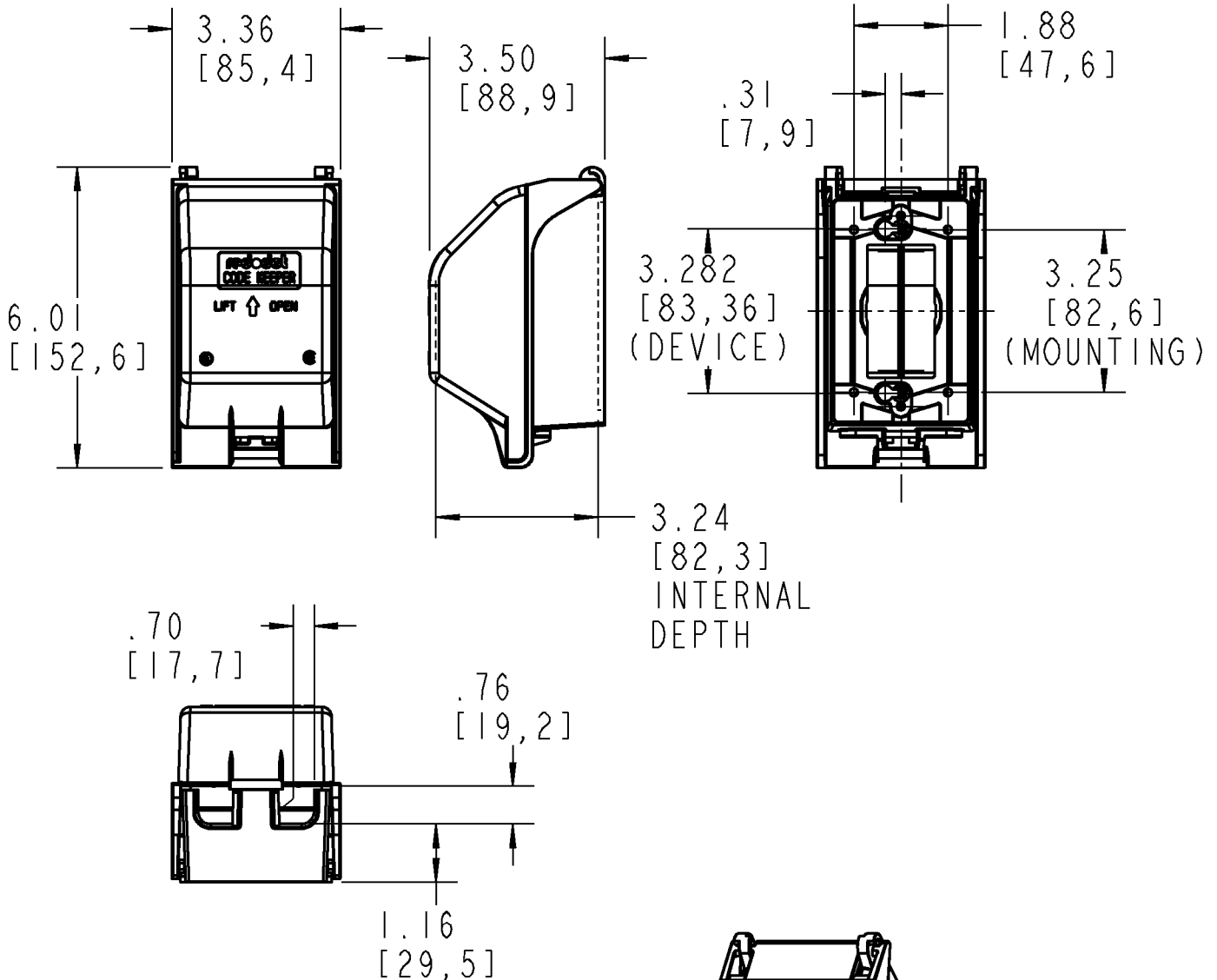


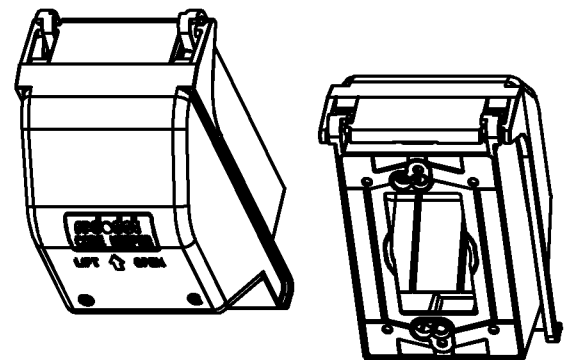


Red-Dot®



NOTES:

- 1.) MATERIAL: ALUMINUM A360
- 2.) FINISH: SILVER GREY POWDER COAT
- 3.) INSTRUCTION SHEET, ADAPTER PLATES, GASKET AND MOUNTING HARDWARE INCLUDED



CATALOG NO. CKMUV

GENERAL NOTES		Thomas & Betts www.tnb.com			
1. ALL DIMENSIONS ARE FOR REFERENCE ONLY. 2. DIMENSIONS IN BRACKETS [] ARE IN METRIC UNITS.					
REVISIONS		DESCRIPTION: VERTICAL WEATHERPROOF COVER - 3 1/4"			
** SEE ERN (****) FOR APPROVAL SIGNATURES & RELEASE DATE. PROJECT NO: ****		ORIGINAL PROJECT NO / (ERN NO) ND55795 / (2010798)	SHEET NO: 1 OF 1	REV. NO: -	DRAWING NO: WSD-000492