



SIGNATURE™ Collection

Surface designer Series



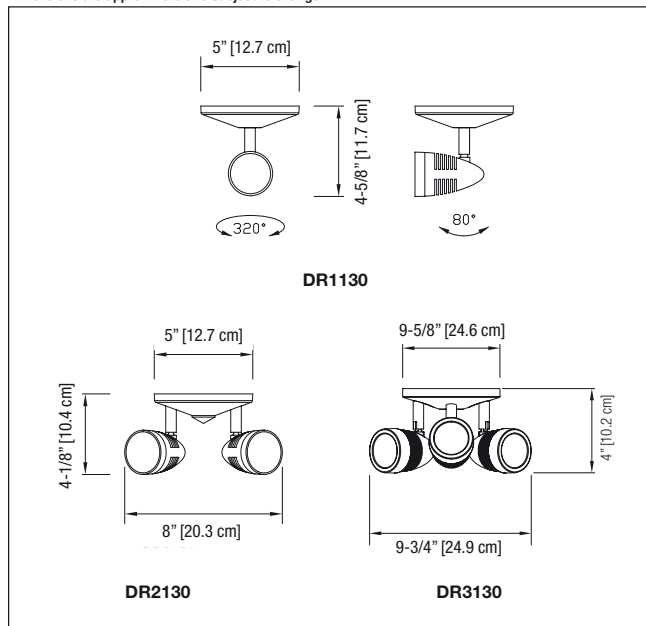
FEATURES

- Available in 1, 2 or 3 head configurations
- Highly resistant powder-coated, die cast aluminum construction
- MR16 LED lamps: 4W, 5W and 6W
- CSA certified to C22.2 No. 141-15

See warranty details at: www.tnb.ca/en/brands/lumacell

DIMENSIONS

Dimensions are approximate and subject to change.



TYPICAL SPECIFICATIONS

The contractor will supply and install Lumacell® Signature™ Collection Series remote heads. These remote heads will consist of either single, double or triple head configurations according to the design. Remote heads will be constructed of durable powder coated, Die-Cast aluminum and LED light sources.

The remote fixtures shall be certified to CSA C22.2 No.141-15.

The unit shall be Lumacell® model: _____.

WIRE GUARDS

460.0029-L	Wall Mount (DR1130)
460.0032-L	Wall Mount (DR2130)
460.0078-L	Wall Mount (DR3130)

REPLACEMENT LAMPS

MODEL	LAMP TYPE	VOLTAGE-WATTAGE
580.0097-L	MR16 LED	6V-4W
580.0122-L	MR16 LED	6V-5W
580.0093-L	MR16 LED	12V-4W
580.0104-L	MR16 LED	12V-5W
580.0106-L	MR16 LED	12V-6W
580.0098-L	MR16 LED	24V-4W
580.0100-L	MR16 LED	24V-6W
580.0113-L	MR16 LED	120V-4W
580.0125-L	MR16 LED	120V-7W

ORDERING INFORMATION

SERIES	# OF HEADS	HEAD STYLE	COLOUR	LAMP STYLE	VOLTAGE/WATTAGE
DR= decorative remote	1= single head 2= double head 3= triple head	130= closed	BK= black WH= white	MR16= MR16 LED lamp	LD1= MR16 LED, 6V-4W LD2= MR16 LED, 6V-5W LD7= MR16 LED, 12V-4W LD9= MR16 LED, 12V-5W LD10= MR16 LED, 12V-6W LD13= MR16 LED, 24V-4W LD14= MR16 LED, 24V-6W LD26= MR16 LED, 120V-4W LD27= MR16 LED, 120V-7W

EXAMPLE: DR1130WH-MR16LD7