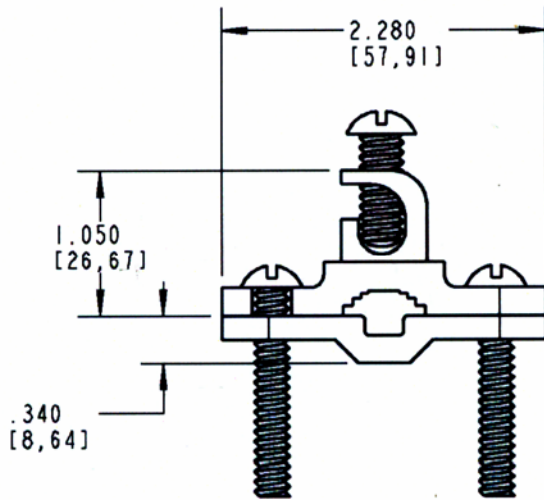
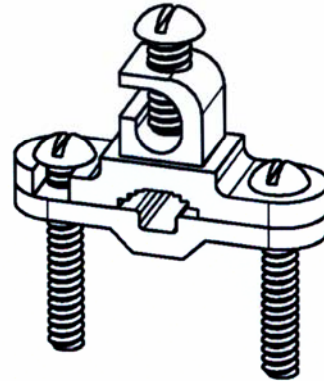
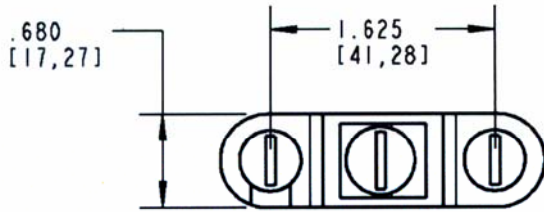




# Blackburn



CATALOG NUMBER  
**JDL**

**NOTES:**

1. CLAMP: BRONZE ALLOY
2. SCREWS: STAINLESS STEEL
3. PIPE RANGE: 1/2" TO 1"
4. REBAR RANGE: 3/8" TO 1"
5. GROUND ROD RANGE: 1/4" TO 1"
6. WIRE RANGE: #10 SOLID TO #2 STRANDED
7. MECHANICAL CONNECTION/SPLICE: TWO #8 SOLID

**GENERAL NOTES**

1. ALL DIMENSIONS ARE FOR REFERENCE ONLY.
2. DIMENSIONS IN BRACKETS [ ] ARE IN METRIC UNITS.

[www.fnb.com](http://www.fnb.com)

**Thomas & Betts**  
A Member of the ABB Group

DESCRIPTION:

**DIRECT BURIAL GROUND CLAMP**

**REVISIONS**

- |   |   |
|---|---|
| 1 | SEE ERN ( 2014831 ) FOR APPROVAL SIGNATURES & RELEASE DATE.<br>PROJECT NO: NM400608 |
|---|---|

ORIGINAL PROJECT NO / ( ERN NO )	SHEET NO:	REV. NO:	DRAWING NO:
GM400026 / ( 2004346 )	1 OF 1	1	WSD-000075