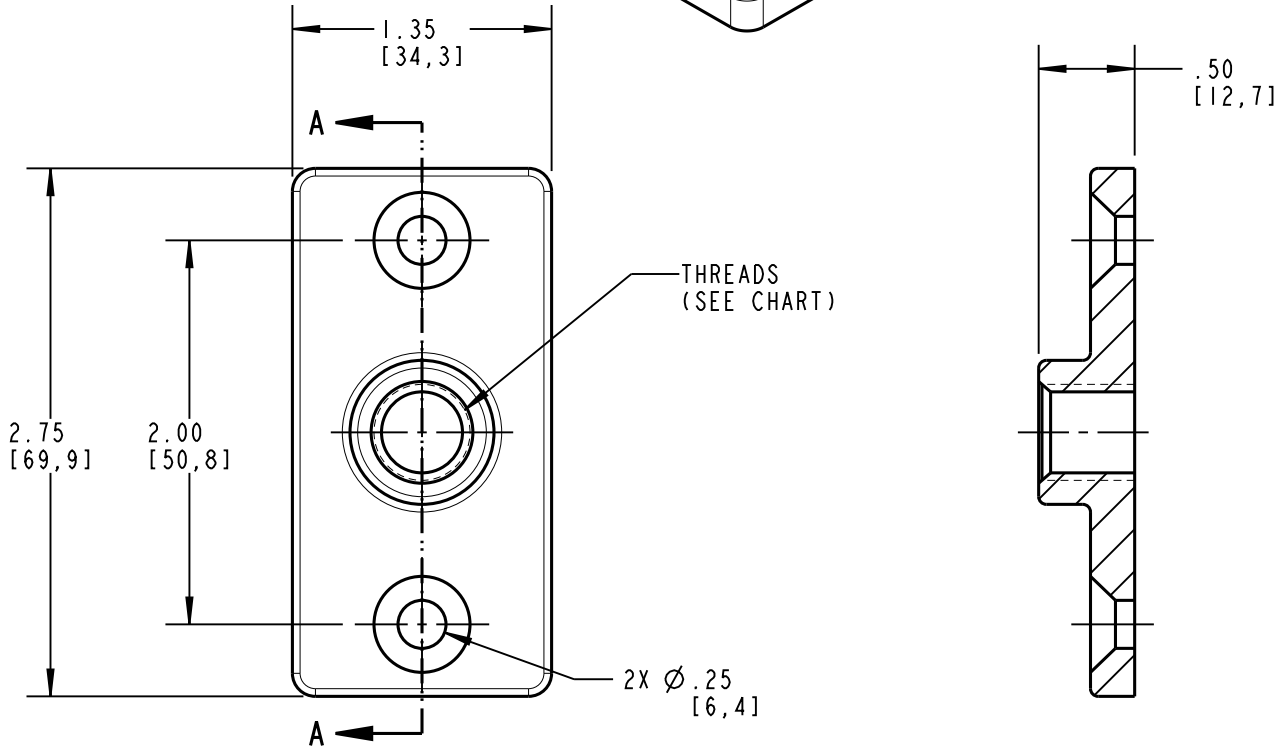
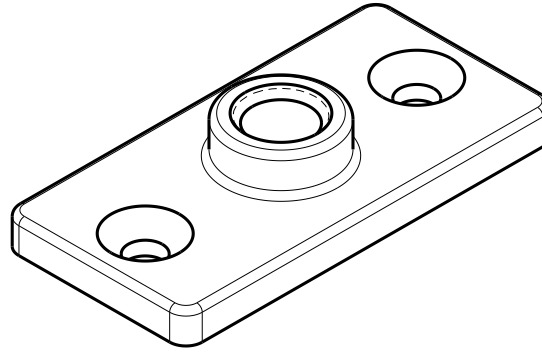


Superstrut®



SECTION A-A

1. ALL DIMENSIONS ARE FOR REFERENCE ONLY
2. MATERIAL: MALLEABLE IRON
3. LOAD RATING: 180 LB.

CATALOG NO.	THREAD SIZE	FINISH	WEIGHT (LB)
M742R-1/2B	1/2-13	BLACK	0.18
M742R-3/8B	3/8-16	BLACK	0.19
M742-R 1/2 (EG)	1/2-13	EG	0.18
M742R 3/8 (EG)	3/8-16	EG	0.19

GENERAL NOTES

1. ALL DIMENSIONS ARE FOR REFERENCE ONLY.
2. DIMENSIONS IN BRACKETS [] ARE IN METRIC UNITS.

www.inb.com

Thomas & Betts
A Member of the ABB Group

REVISIONS

*** SEE ERN (****) FOR APPROVAL SIGNATURES & RELEASE DATE. PROJECT NO: ****

DESCRIPTION:

CEILING FLANGE

ORIGINAL PROJECT NO / (ERN NO)	SHEET NO:	REV. NO:	DRAWING NO:
005M001144 / (2018314)	1 OF 1	0	WSD-001857