



# Optanium T8 Instant Start

## OPTANIUM ELE BALLAST (4) F32T8 120-277V

Reliable and energy efficient Philips Advance's Centium commercial grade specifications, plus added benefits of lamp striation reduction technology.

### Product data

#### • General Information

Lamp Type	F32T8
Number of Lamps	3/4 piece/unit
Ballast Type	Electronic Fluorescent
Base Model	IOPA4P32LWN
Suitable For Outdoor Use	Yes
Automatic Restart	Yes

#### • Operating and Electrical

Input Voltage	120 to 277 V
Input Frequency	50 to 60 Hz
Max THD	10 %
Starting Method	Instant Start
Lamp Current Crest Factor (Nom)	1.6
Ignition Time (Nom)	0.1 s
Ballast Factor (Nom)	0.77
Power Factor (Nom)	0.98
Input Current (Operating) (Max)	0.81 A
Input Current (Operating) (Min)	0.35 A
Input Power (Nom)	96-94 W
Rated Lamp Watts	32W W

#### • Wiring

Color Input Terminals	No terminals
Color Output Terminals	No terminals
Wire Striplength	0.50/0.375 mm
Lamp Connection	Parallel
Wire Length By Color	See data sheet

Wire Gauge (Nom)	18AWG mm
Wire Type	Solid
Remote Wiring Configuration	Yes
Tandem Wiring Configuration	Yes
Through Wiring Configuration	Yes
Max Ballast-Lamp Distance Remote Wiring	ES = 6' / Standard = 20'
Max Ballast-Lamp Distance Tandem Wiring	ES = 6' / Standard = 20'
Max Ballast-Lamp Distance Through Wiring	ES = 6' / Standard = 20'
Connector Type	No connector

#### • Temperature

T-Case Maximum (Nom)	70 °C
----------------------	-------

#### • Mechanical and Housing

Housing Material	Metal
Housing	N
Housing Dimensions	9.5" x 1.3" x 1.0"

#### • Approval and Application

EMC Immunity Standard	FCC Non-Consumer
-----------------------	------------------

**PHILIPS**

# Optanium T8 Instant Start

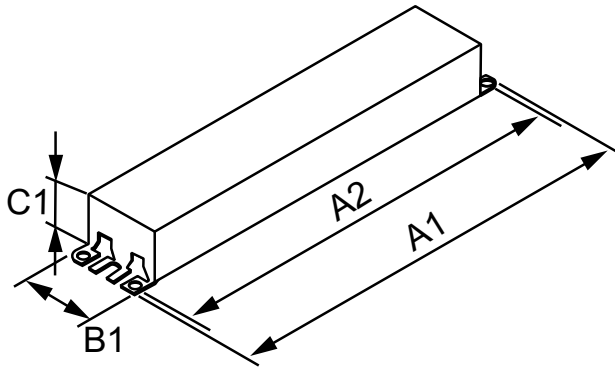
**Approbation Marks** CSA certificate  
 UL certificate  
 CEC Listing  
 CEE Rated  
 NEMA Premium  
 RoHS Compliant  
**Sound Rating** A  
**UL Recognized** No

**EAN/UPC - Product** 781087115275  
**Order code** IOPA4P32LWN35M  
**Numerator - Quantity Per Pack** 1  
**Numerator - Packs per outer box** 30  
**Material Nr. (12NC)** 913701235602  
**Net Weight (Piece)** 350.000 g

• **Product Data**

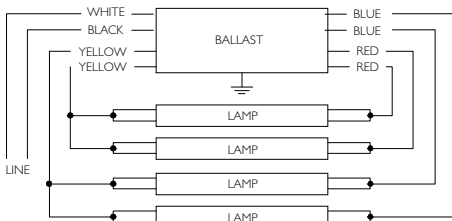
Order product name OPTANIUM IOPA4P32LWN35M

Dimensional drawing



**ELE BALLAST (4) F32T8 120-277V**

Product	A1	A2	B1	C1
OPTANIUM IOPA4P32LWN35M	9.50 in	8.90 in	1.30 in	1.00 in



For three lamp operation, insulate unused blue leads individually for 600V



© 2016 Philips Lighting Holding B.V.  
All rights reserved.

Specifications are subject to change without notice. Trademarks are the property of Koninklijke Philips N.V. (Royal Philips) or their respective owners.

[www.philips.com/lighting](http://www.philips.com/lighting)

2016, February 1  
data subject to change