



FL1-LED16

LED Flood Light



Yoke Mount

SPECIFICATIONS*

Watts	14.26
Lumens	1728
Efficacy	121
Replaces Up To	150 W Quartz
Colour Temp**	4000K*, 5000K*
Certification	cULus, IP65, DLC
Operating Temp	-40°C to +40°C
Voltage	120-277*
LED Life	100,000 hours
Housing Material	Die Cast Aluminum
Lens Material	Polycarbonate
Lens Type	Clear
Total Harmonic Distortion	15
Power Factor	0.9

*Standard



DESCRIPTION

The FL1-LED16 is an energy efficient LED fixture suitable for floodlighting or sign lighting.

APPLICATIONS



Building
Facades

Patios & Yards

Landscape
Lighting

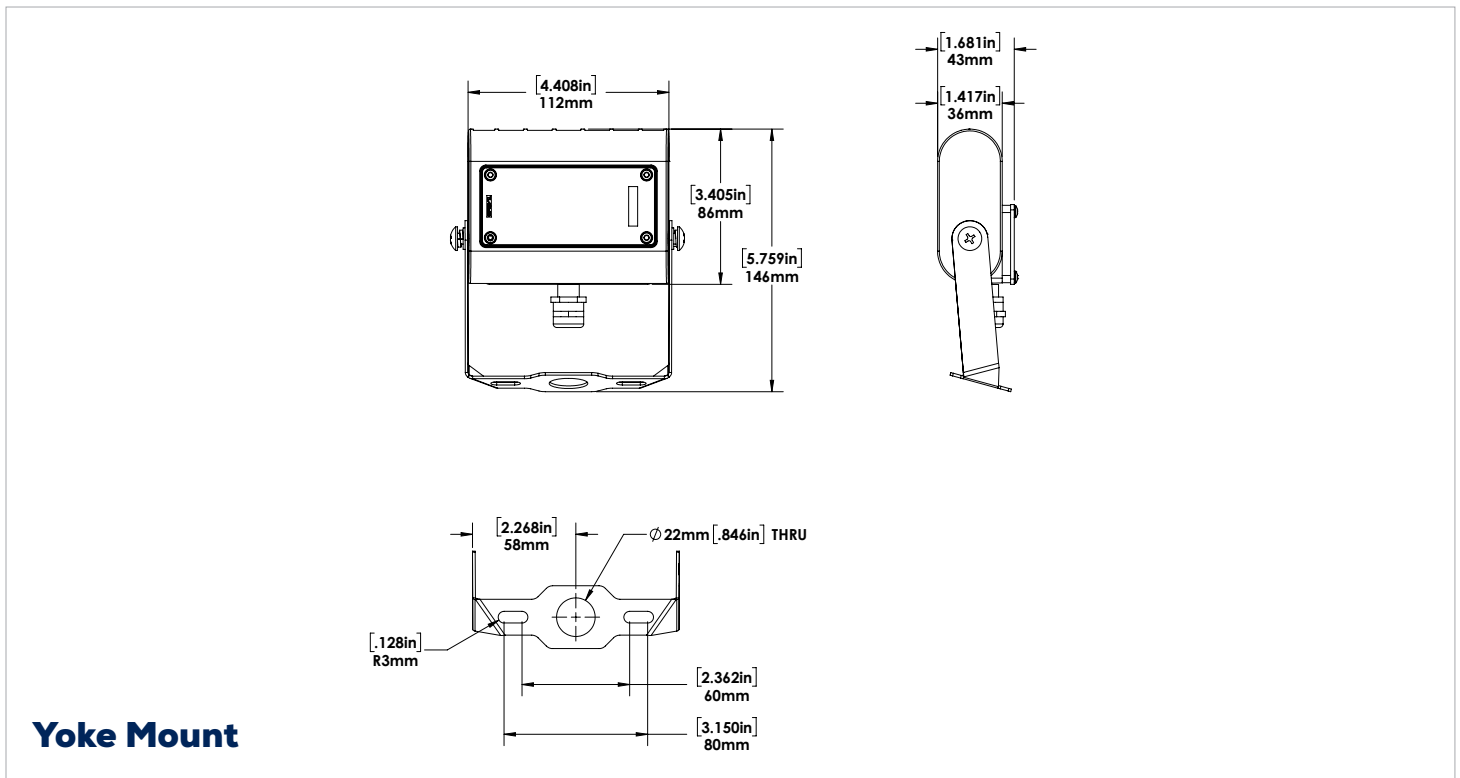
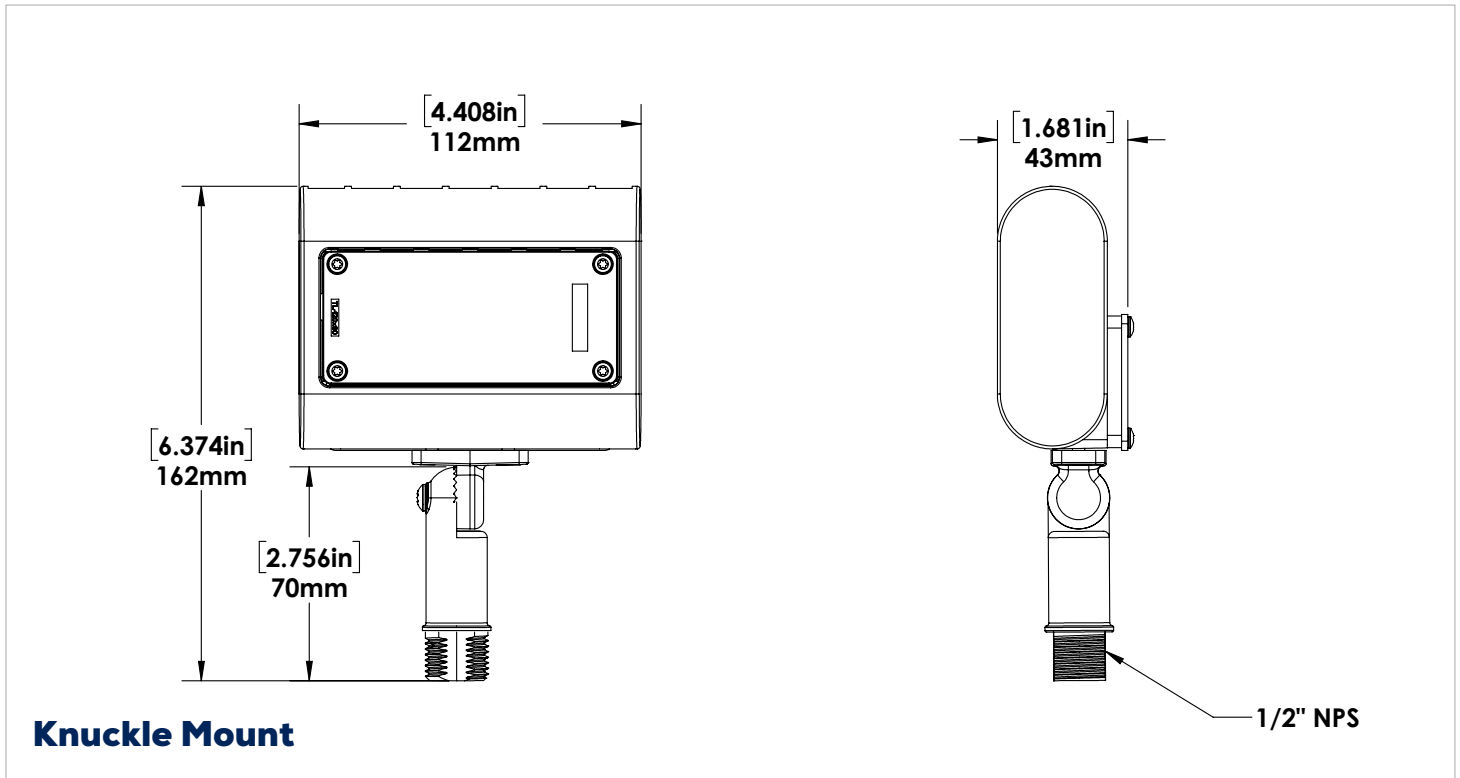
Sign Lighting

FEATURES

- Die cast aluminum housing with polycarbonate lens.
- Wide 7H X 7V beam is standard.
- Available as a knuckle or yoke mount. Also used as a sign light when combined with various arms.
- Available in 4K or 5K colour temperature.
- Ideal replacement for 150W Quartz floods.

*The above specs apply to the standard product configuration. For spec information on other product configurations please see page 2.

DIMENSIONS



OTHER MODEL SPECIFICATIONS

DESCRIPTION	VOLTAGE (V)	INPUT POWER (W)	LIGHT OUTPUT	EFFICACY (Lm/W)	THD	PF	CCT	CRI
FL1-LED16-B-4K-XXX-XX	120-277V	14.26	1728.2	121.19	15	0.9	4000	70
FL1-LED16-B-5K-XXX-XX	120-277V	14.42	1751.6	121.51	15	0.9	5000	70

LEGEND

B - 120V-277V
 4K - 4000K, 5K - 5000K,
 XXX - FINISH
 XX - MOUNTING

ORDERING GUIDE

1. FLOOD LIGHT

FL1	LED16				
WATTS	VOLTAGE	COLOUR TEMP.	FINISH	MOUNTING	
	B - 120 - 277V*	4K - 4000K* 5K - 5000K*	BRZ - BRONZE*	KN - KNUCKLE MOUNT* YK - YOKE MOUNT*	

2. SIGN LIGHT

FL1	LED16					
WATTS	VOLTAGE	COLOUR TEMP.	FINISH	MOUNTING	ARM	
	B - 120 - 277V*	4K - 4000K* 5K - 5000K*	BRZ - BRONZE* CC - CUSTOM COLOUR	KN - KNUCKLE MOUNT*	ARM1 ARM2 ARM3 ARM5	

*Standard Configuration.