

10065

Medium Base, One-Piece, Keyless, Incandescent, Glazed Porcelain Lampholder, Pipe Mount, Single Circuit, Back Wired, Beaded for 1-1/2 Inch Clamp-Style Shade - White



UPC Code : 078477199978

Country Of Origin : China

Technical Information

Material Specifications

Circuit : Single Circuit

Shell Material : Nickel-Plated Copper Alloy

Voltage : 250 Volt

Wattage Rating : 660W

Product Features

Access : Back Wired

Availability : Distribution

Body Material : Glazed Porcelain

Cap Material : Die Cast

Circuit : Single Circuit

Color : White

Construction : One-Piece

Feature : Beaded for 1-1/2 Inch Clamp-Style Shade

Lamp Base : Medium

Lamp Socket Base : Medium

Lampholder Type : Keyless

Light Type : Incandescent

Mounting Type : 1/8-27 Cap

Screw Shell Material : Nickel-Plated Copper Alloy

Standards and Certifications : UL/CSA/NOM

Termination : 2 Terminal Screws

Warranty : 1 Year Limited

Mechanical Specifications

Access : Back Wired

Mounting Type : 1/8-27 Cap

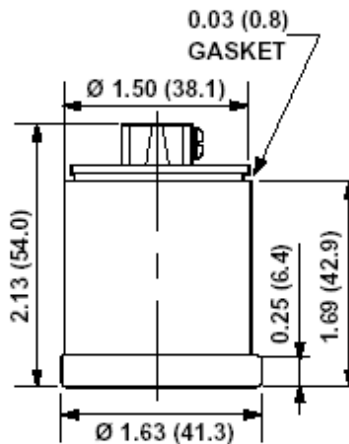
Termination : 2 Terminal Screws

Standards and Certifications

CSA Certified : File LR-1863

NOM Certified : 057

UL Listed : File E3810



SPECIFICATION SUBMITTAL

JOB NAME:	CATALOG NUMBERS:	
<input type="text"/>	<input type="text"/>	<input type="text"/>
JOB NUMBER:	<input type="text"/>	<input type="text"/>

Leviton Manufacturing Co., Inc.

201 North Service Road, Melville, NY 11747

Telephone: +1-800-323-8920 · FAX: +1-800-832-9538 · Tech Line (8:30AM-7:30PM E.S.T. Monday-Friday):
+1-800-824-3005

Leviton Manufacturing of Canada, Ltd.

165 Hymus Boulevard, Pointe Claire, Quebec H9R 1E9 · Telephone: +1-800-469-7890 ·
FAX: +1-800-824-3005 · www.leviton.com/canada

Leviton S. de R.L. de C.V.

Lago Tana 43, Mexico DF, Mexico CP 11290 · Tel.: (+52)55-5082-1040 · FAX: (+52)5386-
1797 · www.leviton.com.mx

Visit our Website at: www.leviton.com

© 2018 Leviton Manufacturing Co., Inc. All Rights Reserved. Subject to change without notice.

Leviton has a global presence.

If you would like to know where your local Leviton office is located please go to:
www.leviton.com/international/contacts/

